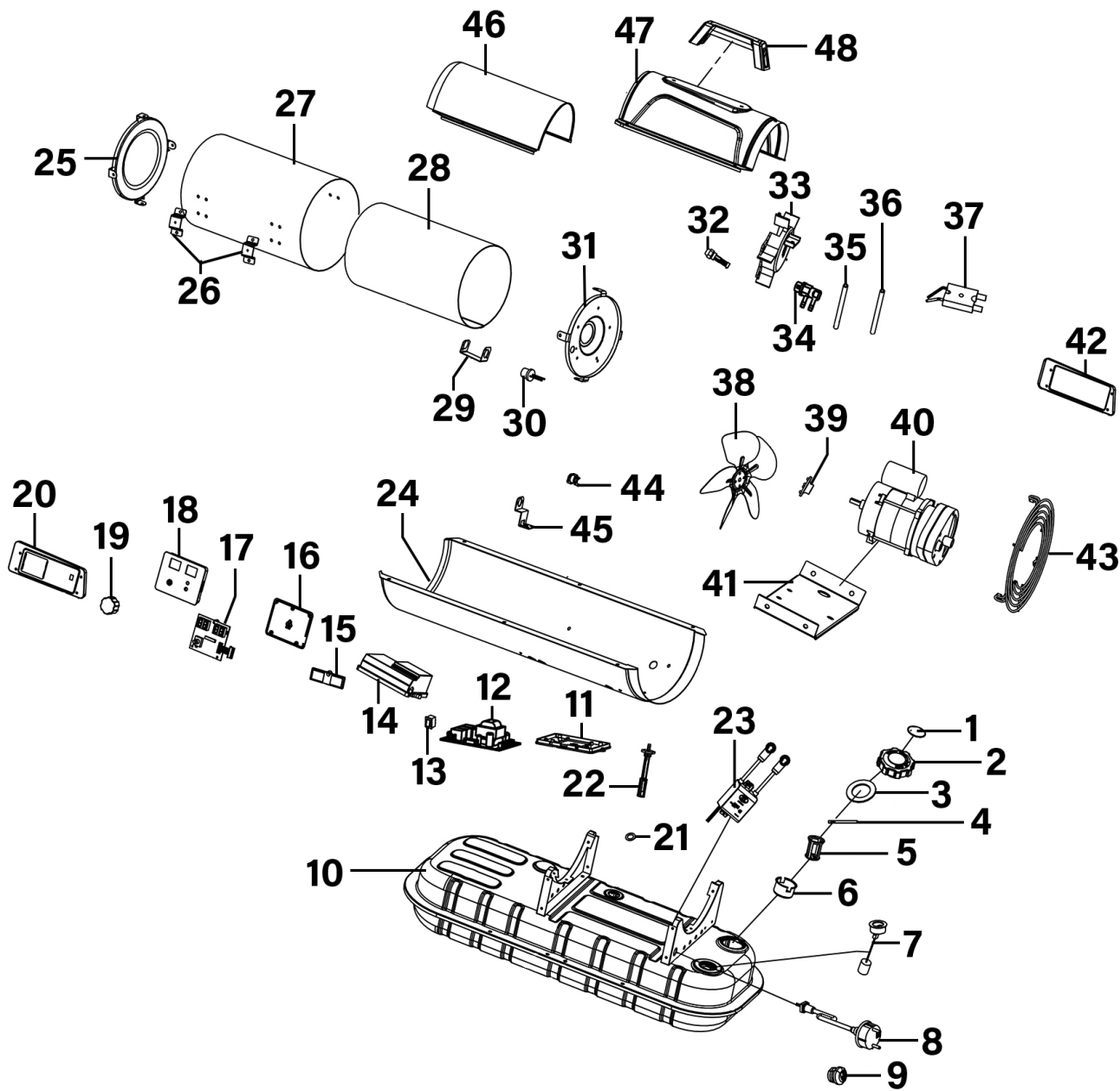




Parts Information:
Space Warmer® Kerosene/Diesel Heater
70,000Btu/hr without Wheels
Model No: AB708.V3



| Item | Part No. | Description | Qty |
|------|---------------|------------------------------------|-----|
| 1 | AB-1422027500 | Breather Cover | 1 |
| 2 | AB-1422026500 | Fuel Tank Cap | 1 |
| 3 | AB-1802014 | Fuel Tank Cap Seal | 1 |
| 4 | AB-151700806 | Fuel Tank Cap Shaft Ø 3.5mm x 49mm | 1 |
| 5 | AB-1401015000 | Oil Inlet Filter | 1 |
| 6 | AB-152039402 | Oil Inlet Filter Holder | 1 |
| 7 | AB-1616002 | Oil Filter Gauge | 1 |
| 8 | AB-160218007 | Power Cord | 1 |
| 9 | AB-1615023 | Cable Grip | 1 |

| Item | Part No. | Description | Qty |
|------|---------------|-----------------------------|-----|
| 10 | AB-190904501 | Fuel Tank | 1 |
| 11 | AB-1422097500 | Lower Cover for Power PCB | 1 |
| 12 | AB-160900503 | Power PCB | 1 |
| 13 | AB-1603017 | On/Off Switch | 1 |
| 14 | AB-1422096500 | Upper Cover for Power PCB | 1 |
| 15 | AB-1417011000 | Display Window | 1 |
| 16 | AB-1422095500 | Lower Cover for Display PCB | 1 |
| 17 | AB-160903707 | Display PCB | 1 |
| 18 | AB-1422094500 | Upper Cover for Display PCB | 1 |

NOTE: It is our policy to continually improve products and as such we reserve the right to alter data, specifications and component parts without prior notice. There may be alternative versions of this product, please contact us should you require this information.

IMPORTANT: No liability is accepted for incorrect use of product. Spare parts must be fitted by a competent person

WARRANTY: Guarantee is 12 months from purchase date, proof of which will be required for any claim.

Sealey Group, Kempson Way, Suffolk Business Park, Bury St Edmunds, Suffolk. IP32 7AR



01284 757500



sales@sealey.co.uk



www.sealey.co.uk

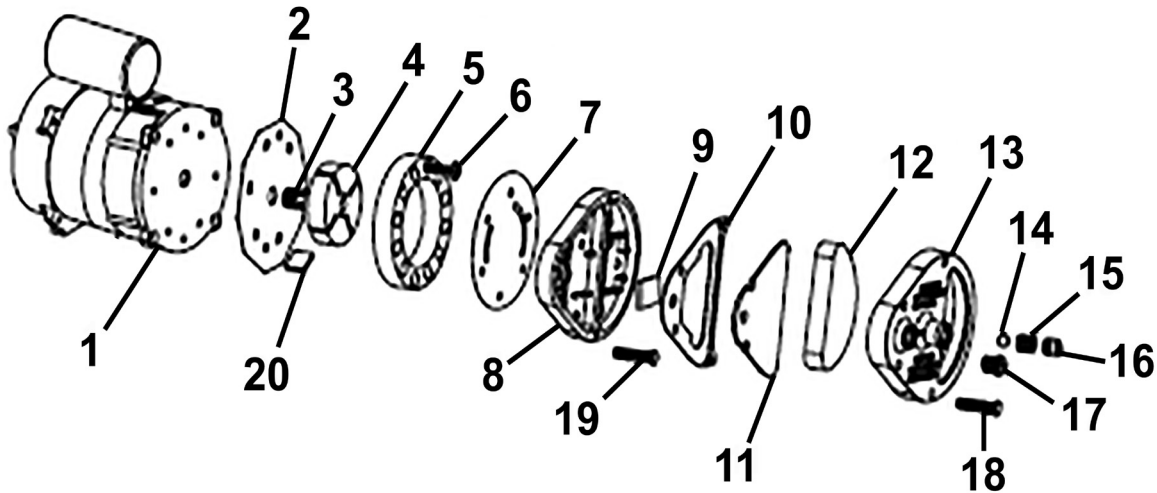


Parts Information:
Space Warmer® Kerosene/Diesel Heater
70,000Btu/hr without Wheels
Model No: AB708.V3

| Item | Part No. | Description | Qty |
|------|-----------------|---------------------------|-----|
| 19 | AB-1403025519 | Thermostat Knob | 1 |
| 20 | AB-151418301512 | Control Panel | 1 |
| 21 | AB-1802013 | Fuel Filter Seal Ring | 1 |
| 22 | AB-1402003500 | Fuel Filter Assembly | 1 |
| 23 | AB-160701002 | Ignition Transformer | 1 |
| 24 | AB-151016601512 | Lower Cover | 1 |
| 25 | AB-1910032 | Front Cover Assembly | 1 |
| 26 | AB-152022502 | Chamber Shield Bracket | 2 |
| 27 | AB-152400902 | Combustion Chamber Shield | 1 |
| 28 | AB-153223906 | Combustion Chamber | 1 |
| 29 | AB-152003601512 | Photocell Bracket | 1 |
| 30 | AB-1901209 | Photocell Assembly | 1 |
| 31 | AB-150200402 | Burner Support Plate | 1 |
| 32 | AB-171501201 | Nozzle Assembly 70K | 1 |
| 33 | AB-150200204 | Burner Head | 1 |

| Item | Part No. | Description | Qty |
|------|-----------------|----------------------------|-----|
| 34 | AB-171503201 | Nozzle Adapter | 1 |
| 35 | AB-180401001 | Air Hose 800mm | 1 |
| 36 | AB-180401001 | Fuel Hose 300mm | 1 |
| 37 | AB-1608015 | Ignition Electrode | 1 |
| 38 | AB-152805602 | Fan | 1 |
| 39 | AB-150203804 | Fan Blade Support | 1 |
| 40 | AB-1907015 | Motor Assembly | 1 |
| 41 | AB-152028402 | Motor Support | 1 |
| 42 | AB-151519801512 | Side Panel | 1 |
| 43 | AB-153230501502 | Fan Guard | 1 |
| 44 | AB-1605015 | Re-Set Thermostat 250V 10A | 1 |
| 45 | AB-152049202 | Re-Set Thermostat | 1 |
| 46 | AB-151016401512 | Front Upper Cover | 1 |
| 47 | AB-151016501512 | Rear Upper Cover | 1 |
| 48 | AB-1406017500 | Handle | 1 |

Breakdown of Motor



| Item | Part No. | Description | Qty |
|------|---------------|---------------------------|-----|
| 1 | AB-1907015-01 | Motor | 1 |
| 2 | AB-1907015-02 | Stainless Steel Plate 'A' | 1 |
| 3 | AB-1907015-03 | Coupling | 1 |
| 4 | AB-1907015-04 | Rotor (15mm vane) | 1 |
| 5 | AB-1907015-05 | Stator Ring | 1 |
| 6 | AB-1907015-06 | Screw | 4 |
| 7 | AB-1907015-07 | Stainless Steel Plate 'B' | 1 |
| 8 | AB-1907015-08 | Pump Cover | 1 |
| 9 | AB-1907015-09 | Lint Filter | 1 |
| 10 | AB-1907015-10 | Rubber Seal | 1 |

| Item | Part No. | Description | Qty |
|------|---------------|---------------------------|-----|
| 11 | AB-1907015-11 | Air Outlet Filter | 1 |
| 12 | AB-1907015-12 | Inlet Filter | 1 |
| 13 | AB-1907015-13 | Filter Cover | 1 |
| 14 | AB-1907015-14 | Steel Ball | 1 |
| 15 | AB-1907015-15 | Spring | 1 |
| 16 | AB-1907015-16 | Pressure Adjustment Screw | 1 |
| 17 | AB-1907015-17 | Plug Screw | 1 |
| 18 | AB-1907015-18 | Screw | 4 |
| 19 | AB-1907015-19 | Screw | 6 |
| 20 | AB-1907015-20 | Rotor blade (15mm) | 4 |

NOTE: It is our policy to continually improve products and as such we reserve the right to alter data, specifications and component parts without prior notice. There may be alternative versions of this product, please contact us should you require this information.

IMPORTANT: No liability is accepted for incorrect use of product. Spare parts must be fitted by a competent person

WARRANTY: Guarantee is 12 months from purchase date, proof of which will be required for any claim.

Sealey Group, Kempson Way, Suffolk Business Park, Bury St Edmunds, Suffolk. IP32 7AR



01284 757500



sales@sealey.co.uk



www.sealey.co.uk