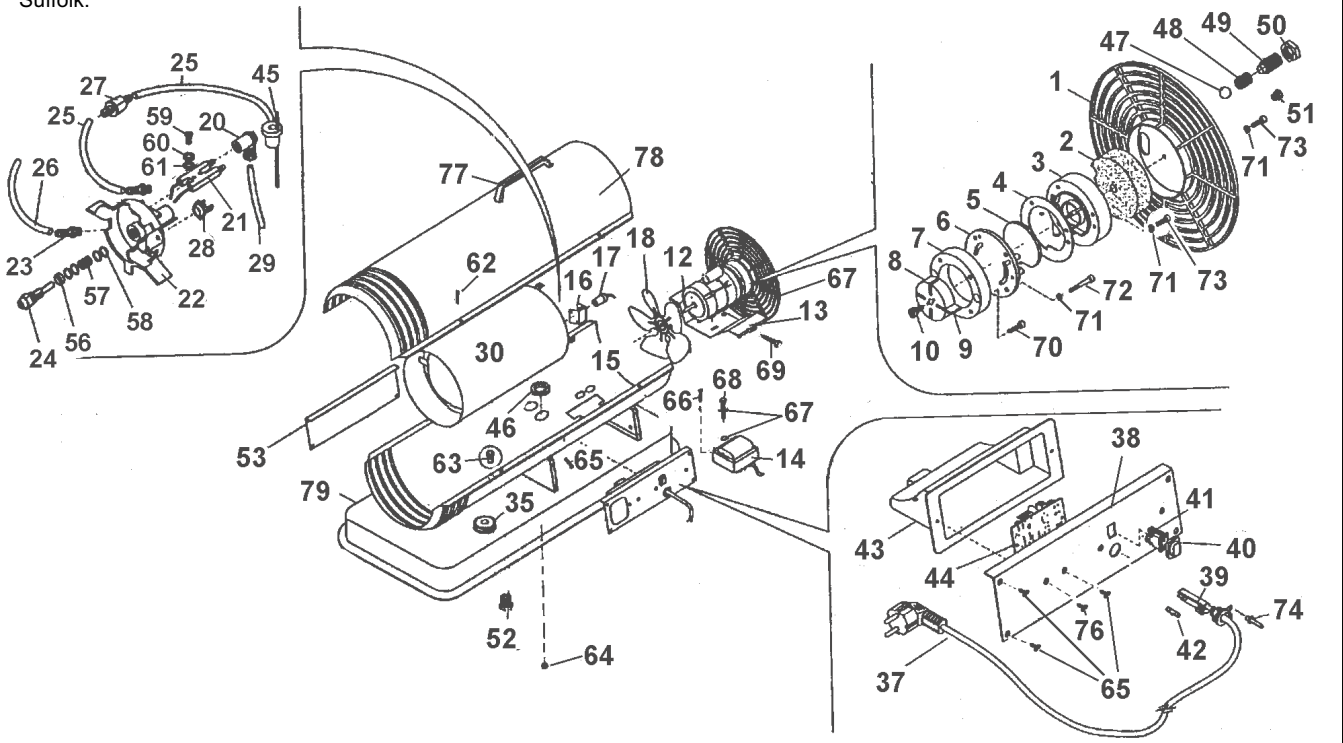


PARTS LIST PARAFFIN HEATER MODEL:

AB601 & AB801



Pos.	Part Nr.	Description
1	SL1006000111	REAR GRID
2	SL1086001711	SUCTION FILTER
3	SL1094007311	FILTER CASING
4	SL1002001311	GASKET
5	SL1086000111	OUTLET FILTER
6	SL1094007211	COMPRESSOR COVER
7	SL1094008111	STATOR RING TH. 17
8	SL1099001611	ROTOR TH. 17
9	SL1099001511	BLADE TH. 17
10	SL1001008211	COUPLING L.17
12	SL1040005411	MOTOR 100 W 230 V 50 Hz
13	SL1094005911	MOTOR SUPPORT
14	SL1033001211	TRANSFORMER
15	SL2003174111	LOWER BODY
16	SL1094013111	FLAME SENSOR SUPPORT
17	SL1050000311	FLAME SENSOR
18	SL1087003411	FAN D. 190 34 ° OP SHAFT D. 12.7
20	SL1052004300	ELECTRODE CONNECTOR
21	SL1030001111	ELECTRODE
22	SL1094007111	BURNER HEAD
23	SL1067006011	HOSE CONNECTOR
24	SL1088005811	NOZZLE 0,65 GPH
25	SL1078001511	OIL HOSE L=130mm
26	SL1078000111	AIR HOSE L=400mm
27	SL1086001911	OIL SUCTION FILTER
28	SL1036001611	SAFETY THERMOSTAT
29	SL1039005511	HT CABLE L=600 mm
30	SL2003204211	COMBUSTION CHAMBER
35	SL1094004311	TANK CAP
37	SL2005085800	POWER CORD L=1500 mm UK
38	SL2003177211	SIDE PANEL
39	SL1031001800	CABLE CLAMP
40	SL1002002755	SWITCH CAP
41	SL1032001900	SWITCH
42	SL1035001111	FUSE 3,15 A DELAYED ACTION

Pos.	Part Nr.	Description
43	SL1001007736	ELECTRICAL PANEL COVER
44	SL1047000811	FLAME CONTROL UNIT
45	SL1002001211	SUCTION GASKET
46	SL1002002100	RUBBER RING
47	SL1023002411	BALL D.6
48	SL1023004211	SPRING
49	SL1023002511	ADJUSTING SCREW
50	SL1017002111	NUT
51	SL1067006911	CAP
52	SL1067007000	DRAIN CAP
53	SL2003178111	SIDE PANEL
56	SL1002001111	NOZZLE RUBBER RING
57	SL1023004111	NOZZLE SPRING
58	SL1018001311	WASHER
59	SL1016006000	SCREW
60	SL1018001000	WASHER
61	SL1018001000	WASHER
62	SL1016005211	SCREW
63	SL1019001600	RIVET
64	SL1017000600	NUT
65	SL1016001600	SCREW
66	SL1016005711	SCREW
67	SL1018000800	WASHER
68	SL1016000100	SCREW
69	SL1016004500	SCREW
70	SL1016005011	SCREW
71	SL1018001600	WASHER
72	SL1016005100	SCREW
73	SL1016007700	SCREW
74	SL1019002800	RIVET
76	SL1016001700	SCREW
77	SL1001002700	HANDLE
78	SL2003195011	UPPER BODY
79	SL2003223311	TANK

Original Date:- 060600
Issue Date:- 060600
Version Nbr:- 0
Date Modified:- N/A

NOTE: It is our policy to continually improve products and as such we reserve the right to alter data, specifications and component parts without prior notice.



01284 757500



01284 703534

E-mail: sales@sealey.co.uk