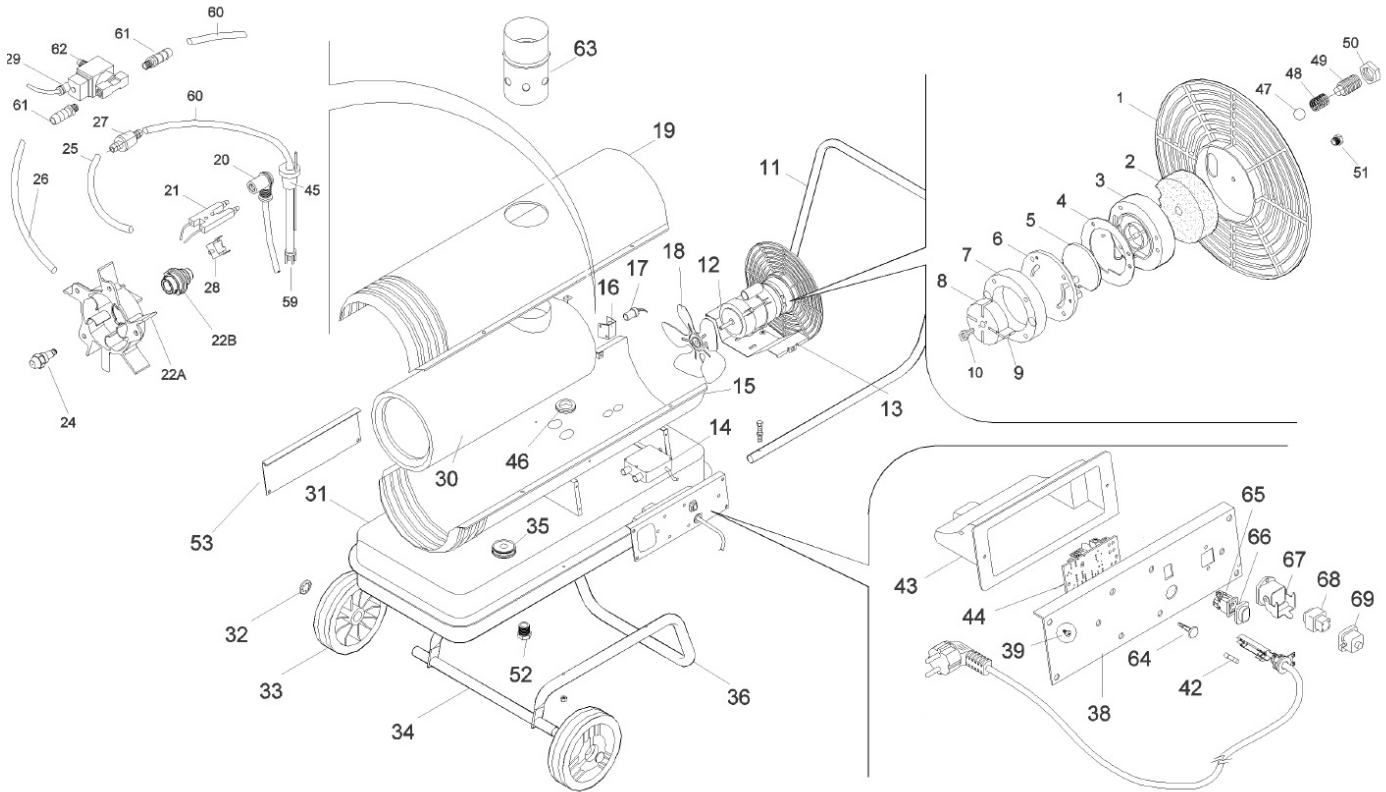




Parts Information:
Space Warmer Paraffin/Diesel Heater
132,600Btu/hr with Chimn
Model No: AB1452



NOTE: It is our policy to continually improve products and as such we reserve the right to alter data, specifications and component parts without prior notice.

IMPORTANT: No liability is accepted for incorrect use of product.

WARRANTY: Guarantee is 12 months from purchase date, proof of which will be required for any claim.

Sealey Group, Kempson Way, Suffolk Business Park, Bury St Edmunds, Suffolk. IP32 7AR



01284 757500



01284 703534



sales@sealey.co.uk



www.sealey.co.uk



Parts Information:
Space Warmer Paraffin/Diesel Heater
132,600Btu/hr with Chimn
Model No: AB1452

| Item | Part No. | Description |
|------|--------------|-----------------------------------|
| 1 | SL20010093 | Rear guard |
| 2 | SL20190009 | Air inlet filter |
| 3 | SL20620056 | Filter casing gry |
| 4 | SL20020003 | Gasket compressor gry |
| 5 | SL20190000 | Outlet filter gry |
| 6 | SL20620055 | Compressor cover |
| 7 | SL20620061 | Stator ring th.21.01mm |
| 8 | SL20260020 | Rotor sp .21mm 98 |
| 9 | SL20260016 | Blade th.21mm 98 |
| 10 | SL20010016 | Coupling l.21 |
| 11 | SL20610186 | Handle |
| 12 | SL20400016 | Motor gry25/40/60 250 |
| 13 | SL20620048 | Motor support |
| 14 | SL20330010 | Transformer |
| 15 | SL40A11 | Lower casing |
| 16 | SL20620529 | Flame sensor support |
| 17 | SL20500003 | Flame sensor |
| 18 | SL1087008411 | Fan |
| 19 | SL40A11T | Upper casing |
| 20 | SL1039033211 | Ht cable (2002/03) |
| 21 | SL20300006 | Ignition elecrodde gry20/28/40/60 |
| 22A | SL20620672 | Burner head |
| 22B | SL20010059 | Nozzle holder gry 04 |
| 24 | SL20210064 | Nozzle 1,00 gph |
| 25 | SL20160019 | Oil hose 12mm x 7.0mm x 80mm |
| 26 | SL20160030 | Hose (l=230mm) |
| 27 | SL20190010 | Oil suction filter |
| 28 | SL20360006 | Safety thermostat 16a 250v 265°c |
| 29 | SL20430008 | Cable + connector |
| 30 | SLGRY40A | Combustion chamber |
| 31 | SL20631792 | Tank |

| Item | Part No. | Description |
|------|--------------|--------------------------------|
| 32 | SL20230222 | Wheel ring |
| 33 | SL20040001 | Wheel, fixed (199x20x48) |
| 34 | SL20610143 | Axle |
| 35 | SL20620034 | Tank cap (d.55mm) |
| 36 | SL20610216 | Frame gry40 blacl ral |
| 38 | SL025F20 | Left side panel |
| 39 | SL20230012 | Rd head s/t screw m3.8 x 6 |
| 42 | SL20350007 | Fuse 5a 250v 3.2 x 0.5 |
| 43 | SL1001007736 | Electrical panel cover |
| 44 | SL20470021 | Control board |
| 45 | SL20020019 | Suction gasket (25mm diameter) |
| 46 | SL1002002100 | Rubber ring |
| 47 | SB-5.6 | Steel ball 5.6mm |
| 48 | SL20230234 | Spring |
| 49 | SL20230230 | Adjusting screw m8 x 1 |
| 50 | SL20230124 | 5/16 unf half nuts |
| 51 | SL20120039 | Cap |
| 52 | SL20120040 | Drain cap |
| 53 | SL20621800 | Side right panel |
| 59 | SL1001014711 | Suction fitting |
| 60 | SL1078000411 | Oil hose l=200mm |
| 61 | SL20120035 | Hose holder |
| 62 | SL20420012 | Solenoid valve |
| 63 | SL20620679 | Flue collar |
| 64 | SL20010048 | Spacer |
| 65 | SL20320005 | Switch on/off dual-pol kid10/1 |
| 66 | SL20020011 | Switch cap |
| 67 | SL20430002 | Socket casing |
| 68 | SL20430000 | Socket |
| 69 | SL20070022 | Cap |

NOTE: It is our policy to continually improve products and as such we reserve the right to alter data, specifications and component parts without prior notice.

IMPORTANT: No liability is accepted for incorrect use of product.

WARRANTY: Guarantee is 12 months from purchase date, proof of which will be required for any claim.

Sealey Group, Kempson Way, Suffolk Business Park, Bury St Edmunds, Suffolk. IP32 7AR



01284 757500



01284 703534



sales@sealey.co.uk



www.sealey.co.uk