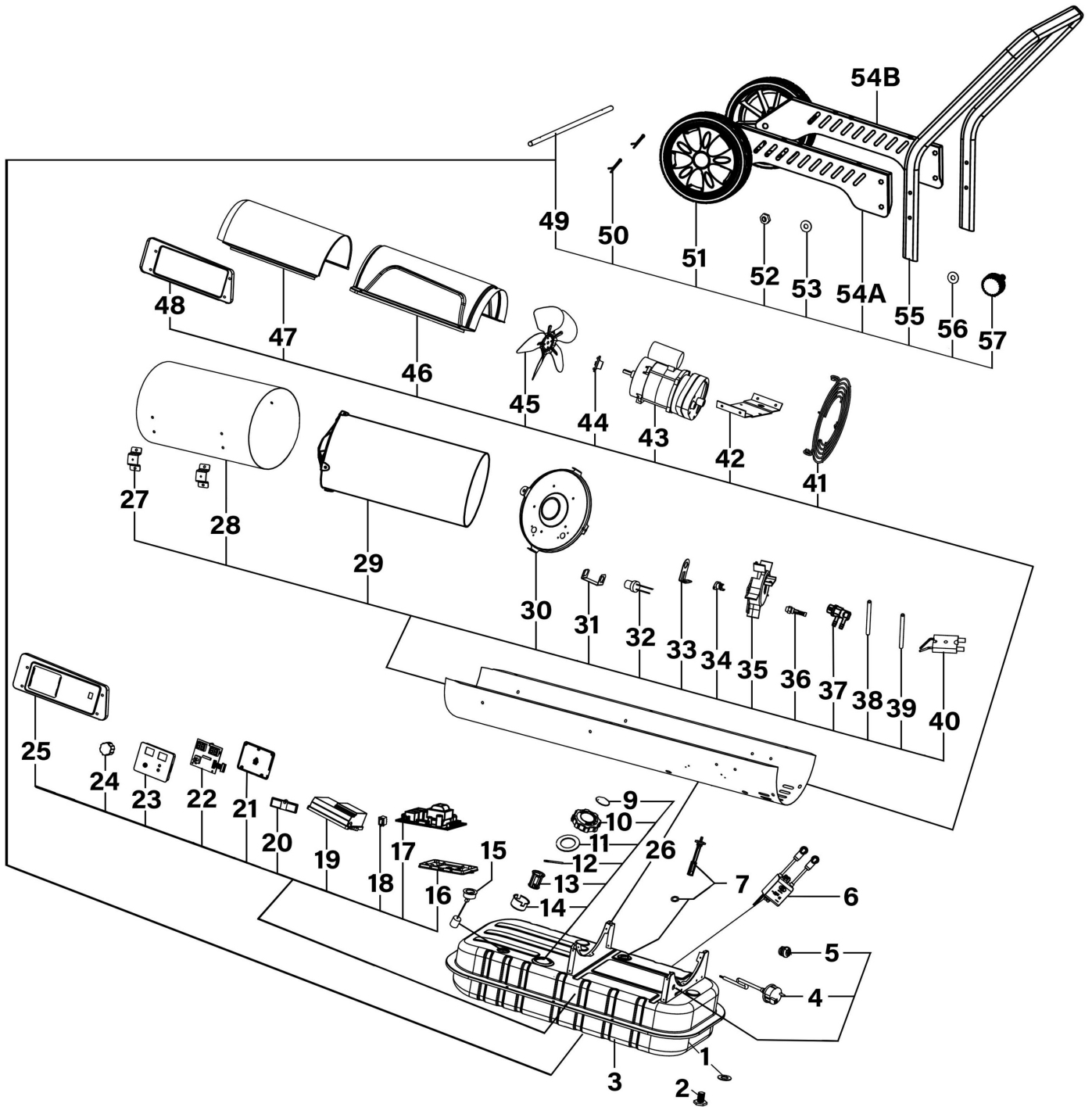


Parts Information:
**Space Warmer® Paraffin/Kerosene/Diesel
 Heater 100,000Btu/hr with Wheels**
Model No: AB1008.V4



Item	Part No.	Description	Qty
1	AB-1802030	Oil Drain Seal Ring Ø 12mm	1
2	AB-171603311	Oil Drain Screw M12 x 20mm	1
3	AB-190904601	Fuel Tank	1
4	AB-160218007	Power Cord	1
5	AB-1615023	Cable Grip	1

Item	Part No.	Description	Qty
6	AB-160701002	Ignition Transformer	1
7	AB-1402002500	Fuel Filter Assembly	1
9	AB-1422027500	Breather Cover	1
10	AB-1422026500	Fuel Tank Cap	1
11	AB-1802014	Fuel Tank Cap Seal	1

NOTE: It is our policy to continually improve products and as such we reserve the right to alter data, specifications and component parts without prior notice. There may be alternative versions of this product, please contact us should you require this information.

IMPORTANT: No liability is accepted for incorrect use of product. Spare parts must be fitted by a competent person

WARRANTY: Guarantee is 12 months from purchase date, proof of which will be required for any claim.



Parts Information:
Space Warmer® Paraffin/Kerosene/Diesel
Heater 100,000Btu/hr with Wheels
Model No: AB1008.V4

Item	Part No.	Description	Qty
12	AB-151700806	Fuel Tank Cap Shaft Ø3.5 x 49mm	1
13	AB-1401015000	Oil Inlet Filter	1
14	AB-152039402	Oil Inlet Filter Holder	1
15	AB-1616003	Oil Filter Gauge	1
16	AB-1422097500	Lower Cover for Power PCB	1
17	AB-160900503	Power PCB	1
18	AB-1603017	On/Off Switch	1
19	AB-1422096500	Upper Cover for Power PCB	1
20	AB-1417011000	Display Window	1
21	AB-1422095500	Lower Cover for Display PCB	1
22	AB-160903707	Display PCB	1
23	AB-1422094500	Upper Cover for Display PCB	1
24	AB-1403025519	Thermostat Knob	1
25	AB-151418401512	Control Panel	1
26	AB-151016901512	Lower Cover	1
27	AB-152022502	Chamber Shield Bracket	2
28	AB-152409402	Combustion Chamber Shield	1
29	AB-152409506	Combustion Chamber Assembly	1
30	AB-150203502	Burner Support Plate	1
31	AB-152003601512	Photocell Bracket	1
32	AB-1901209	Photocell Assembly	1
33	AB-152025702	Re-Set Thermostat Bracket	1
34	AB-1605015	Re-Set Thermostat 250V 10A	1
35	AB-150200204	Burner Head	1

Item	Part No.	Description	Qty
36	AB-171501301	Nozzle Assembly (K125)	1
37	AB-171503201	Nozzle Adapter	1
38	AB-180401001	Air Hose 800mm	1
39	AB-180401001	Fuel Hose 300mm	1
40	AB-1608015	Ignition Electrode	1
41	AB-153207807502	Fan Guard	1
42	AB-152028602	Motor Support	1
43	AB-1907015	Motor Assembly	1
44	AB-150203804	Fan Blade Support	1
45	AB-152805504	Fan	1
46	AB-151016801512	Rear Upper Cover	1
47	AB-151016701512	Front Upper Cover	1
48	AB-151519901512	Side Plate	1
49	AB-150500811	Wheel Axle	1
50	AB-1712001	Split Pin	2
51	AB-1422049505	Wheel (c/w Cover)	2
52	AB-170602611	Domed Nut	2
53	AB-170702011	Washer	2
54A	AB-152127201512	Wheel Frame Support A	1
54B	AB-152127101512	Wheel Frame Support B	1
55	AB-150420207512	Handle	1
56	AB-170702711	Washer	4
57	AB-1420006500	Adjustment Screw Ø6 x 40mm	4

NOTE: It is our policy to continually improve products and as such we reserve the right to alter data, specifications and component parts without prior notice. There may be alternative versions of this product, please contact us should you require this information.

IMPORTANT: No liability is accepted for incorrect use of product. Spare parts must be fitted by a competent person

WARRANTY: Guarantee is 12 months from purchase date, proof of which will be required for any claim.

Sealey Group, Kempson Way, Suffolk Business Park, Bury St Edmunds, Suffolk. IP32 7AR



01284 757500

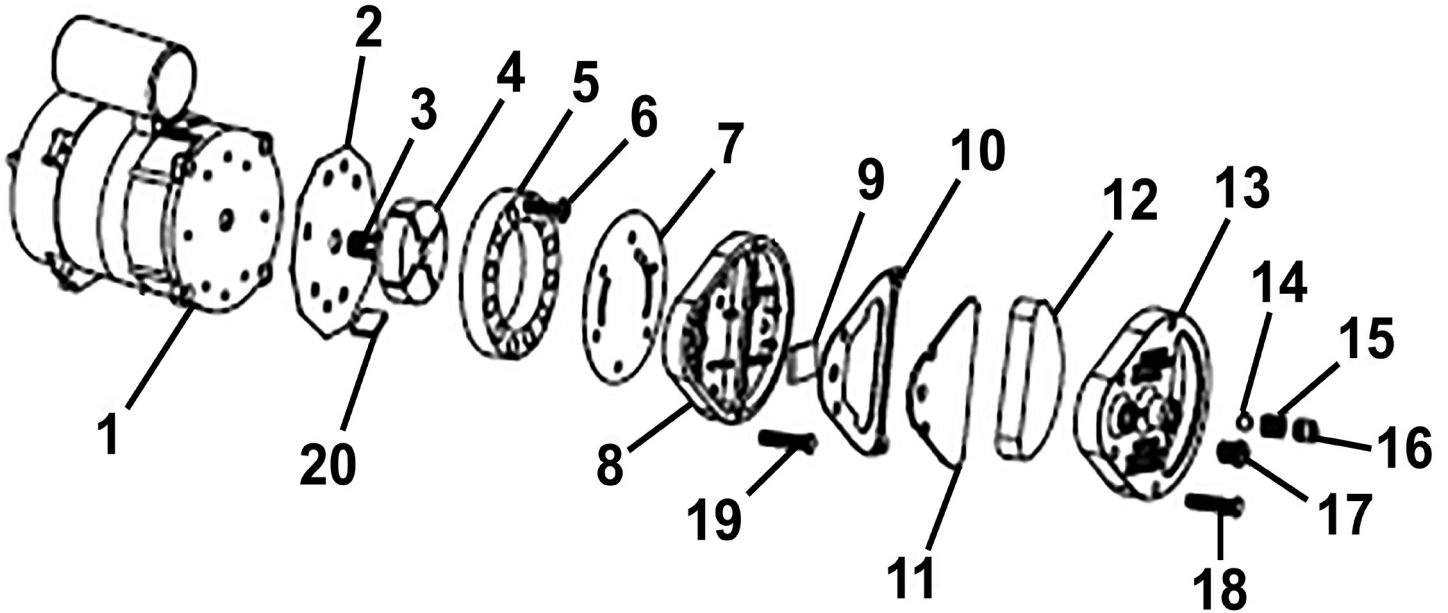


sales@sealey.co.uk



www.sealey.co.uk

Breakdown of Motor



Item	Part No.	Description	Qty
1	AB-1907015-01	Motor	1
2	AB-1907015-02	Stainless Steel Plate 'A'	1
3	AB-1907015-03	Coupling	1
4	AB-1907015-04	Rotor (15mm vane)	1
5	AB-1907015-05	Stator Ring	1
6	AB-1907015-06	Screw	4
7	AB-1907015-07	Stainless Steel Plate 'B'	1
8	AB-1907015-08	Pump Cover	1
9	AB-1907015-09	Lint Fliter	1
10	AB-1907015-10	Rubber Seal	1

Item	Part No.	Description	Qty
11	AB-1907015-11	Air Outlet Filter	1
12	AB-1907015-12	Inlet Fliter	1
13	AB-1907015-13	Filter Cover	1
14	AB-1907015-14	Steel Ball	1
15	AB-1907015-15	Spring	1
16	AB-1907015-16	Pressure Adjustment Screw	1
17	AB-1907015-17	Plug Screw	1
18	AB-1907015-18	Screw	4
19	AB-1907015-19	Screw	6
20	AB-1907015-20	Rotor blade (15mm)	4

NOTE: It is our policy to continually improve products and as such we reserve the right to alter data, specifications and component parts without prior notice. There may be alternative versions of this product, please contact us should you require this information.

IMPORTANT: No liability is accepted for incorrect use of product. Spare parts must be fitted by a competent person

WARRANTY: Guarantee is 12 months from purchase date, proof of which will be required for any claim.