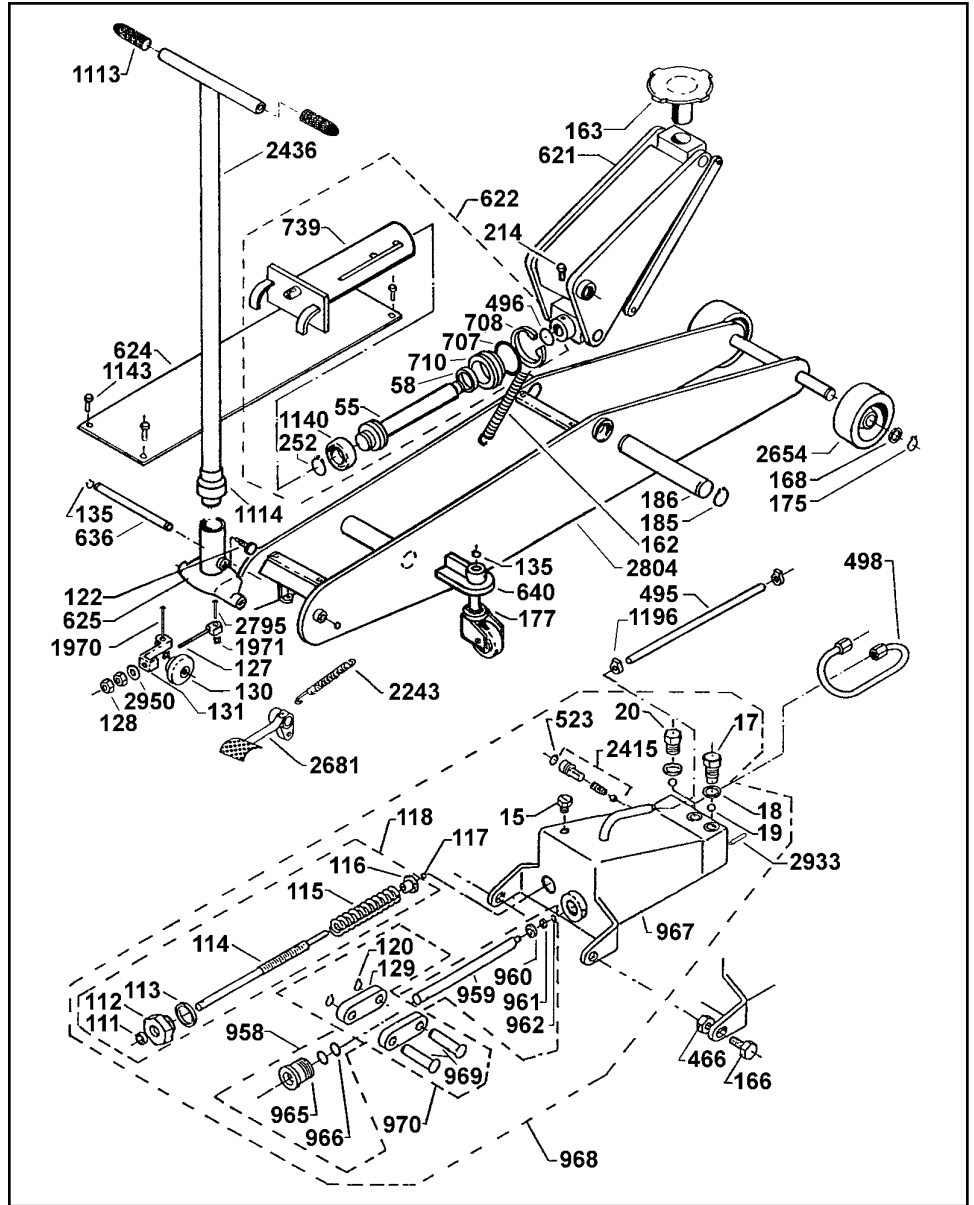


Item	Part No.	Description
15	1001C/15*	Oil plug
17	1001C/17	Valve plug
18	1001C/18*	Copper washer
19	1001C/19*	Valve ball, 8mm
20	1001C/20	Valve plug
55	1001C/55	Piston
58	1001C/58*	Seal ring
111	1001C/111*	Seal ring
112	1001C/112	Stuffing box
113	1001C/113*	Gasket
114	1001C/114	Return spindle
115	1001C/115	Spring
116	1001C/116	Nut
117	1001C/117*	Ball, 4mm
118	1001C/118	Return valve complete
120	1001C/120	Lock ring
122	1001C/122	Knurled screw
127	1001C/127	Release rod
128	1001C/128	Nut
129	1001C/129	Connecting rod
130	1001C/130	Release hub
131	1001C/131	Release arm
135	1001C/135	Lock ring
162	1001C/162	Spring
163	1001C/163	Saddle
166	1001C/166	Screw
168	1001C/168	Washer
175	1001C/175	Lock ring
177	1001C/177	Castor wheel complete
185	1001C/185	Lock ring
186	1001C/186	Shaft
214	1001C/214	Bolt
252	1001C/252	Lock ring
466	1001C/466	Nut
495	1001C/495	Oil pipe
496	1001C/496*	O-ring
498	1001C/498	Oil pipe
523	1001C/523*	O-Ring
621	1001C/621	Lifting arm
622	1001C/622	Cylinder, complete
624	1001C/624	Cover
625	1001C/625	Fork handle
636	1001C/636	Shaft
640	1001C/640	Bracket
707	1001C/707*	O-ring
708	1001C/708	Lock ring
710	1001C/710	Stuffing box
739	1001C/739	Cylinder
958	1001C/958	Pump piston, complete
959	1001C/959	Pump piston
960	1001C/960*	Sleeve
961	1001C/961*	Brass ring
962	1001C/962*	Lock ring
965	1001C/965	Stuffing box
966	1001C/966*	O-ring
967	1001C/967	Pump housing
968	1001C/968	Pump, complete
969	1001C/969	Rivet



Item	Part No.	Description
970	1001C/970	Set of connecting rods
1113	1001C/1113	Grip
1114	1001C/1114	Sleeve
1140	1001C/1140*	Sleeve
1143	1001C/1143	Screw
1196	1001C/1196	Clamp
1970	1001C/1970	Rivet
1971	1001C/1971	Disc
2243	1001C/2243	Spring for pedal
2415	1001C/2415	Excess-pressure valve

Item	Part No.	Description
2436	1001C/2436	Jack handle
2654	1001C/2654	Wheel, Ø130
2681	1001C/2681	Pedal
2795	1001C/2795	Rivet
2804	1001C/2804	Chassis
2933	1001C/2933	Pin
2950	1001C/2950	Disc
-	1001C/60056	Repair kit

\* = Contained in the repair kit.