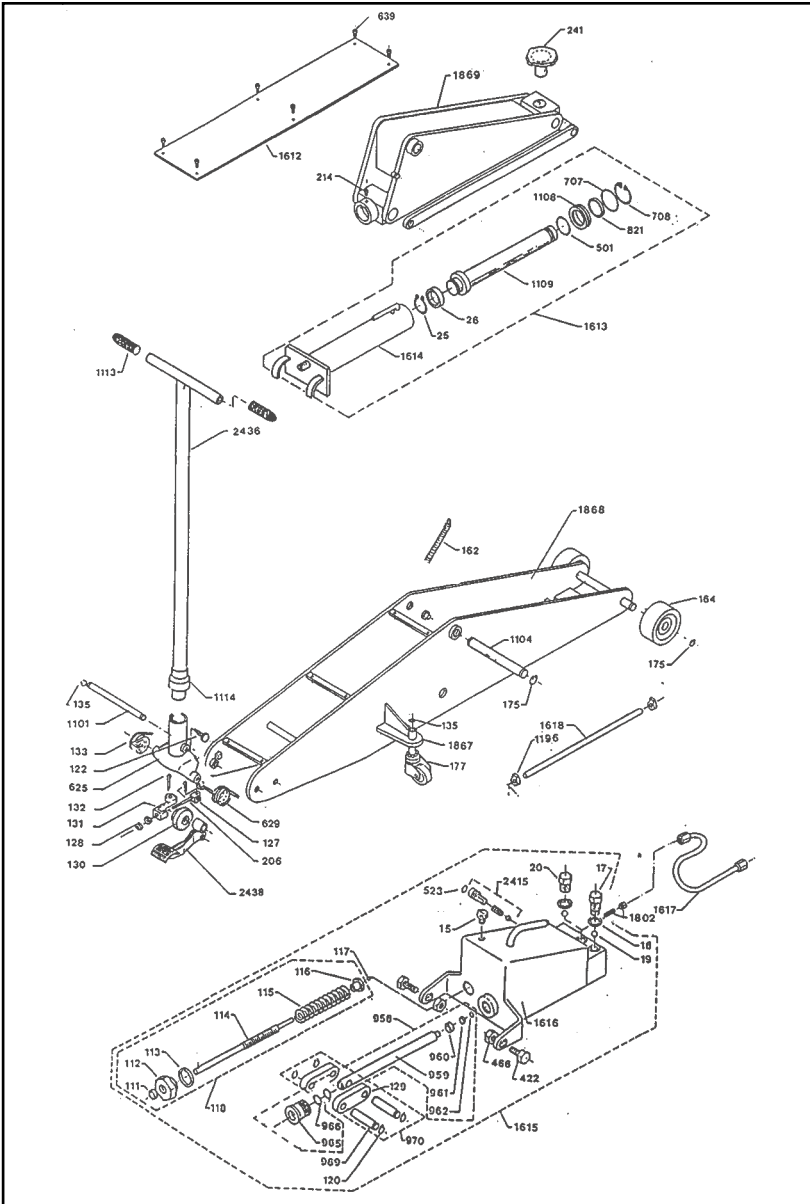




# Parts List for Quicklift Highlift Jack Model No: 7500

Sealey Group,  
Bury St.Edmunds, Suffolk.

01284 757500 01284 703534 E-mail: [sales@sealey.co.uk](mailto:sales@sealey.co.uk)



Item	Part No	Description	Item	Part No	Description
15*	7500/15*	Oil Plug	960*	7500/960*	Sleeve
17	7500/17	Valve plug	961*	7500/961*	Brass ring
18*	7500/18*	Copper washer	962*	7500/962*	Lock ring
19*	7500/19*	Valve ball	965	7500/965	Stuffing box
20	7500/20	Valve plug	966*	7500/966*	O-Ring
25	7500/25	Lock ring	969	7500/969	Rivet
26*	7500/26*	Sleeve	970	7500/970	Set of connection rods
111*	7500/111*	Simmer ring	1101	7500/1101	Shaft
112	7500/112	Stuffing Box	1104	7500/1104	Shaft
113*	7500/113*	Gasket	1108	7500/1108	Stuffing box
114	7500/114	Return spindle	1109	7500/1109	Piston
115	7500/115	Spring	1113	7500/1113	Grip
116	7500/116	Nut	1114	7500/1114	Sleeve
117*	7500/117*	Ball	1196	7500/1196	Clamp
118	7500/118	Return valve complete	1612	7500/1612	Cover
120	7500/120	Lock ring	1613	7500/1613	Cylinder, complete
122	7500/122	Knurled screw	1614	7500/1614	Cylinder
127	7500/127	Release arm	1615	7500/1615	Pump, complete
128	7500/128	Nut	1616	7500/1616	Pump housing
129	7500/129	Connecting rod	1617	7500/1617	Pressure pipe
130	7500/130	Release hub	1618	7500/1618	Oil pipe
131	7500/131	Release arm	1802	7500/1802	Oil valve
132	7500/132	Split pin	1867	7500/1867	Bracket
133	7500/133	Spring	1868	7500/1868	Chassis
135	7500/135	Lock ring	1869	7500/1869	Lifting arm
162	7500/162	Spring	2415	7500/2415	Excess-pressure valve
164	7500/164	Wheel	2436	7500/2436	Jack handle
175	7500/175	Lock ring	2438	7500/2438	Pedal
177	7500/177	Castor wheel complete			
206	7500/206	Split pin		7500/RK	Repair kit
214	7500/214	Bolt			
241	7500/241	Saddle			
422	7500/422	Screw			
501*	7500/501*	O-Ring			
523*	7500/523	O-Ring			
625	7500/625	Fork handle			
629	7500/629	Spring pedal			
639	7500/639	Screw			
707*	7500/707*	O-Ring			
708	7500/708	Lock ring			
821*	7500/821*	Scraper ring			
958	7500/958	Pump piston, complete			
959	7500/959	Pump piston			

\* = Contained in the repair-kit.

Original Date:- 010298  
 Issue Date:-  
 Version Nbr:- 0  
 Date Modified:- N/A