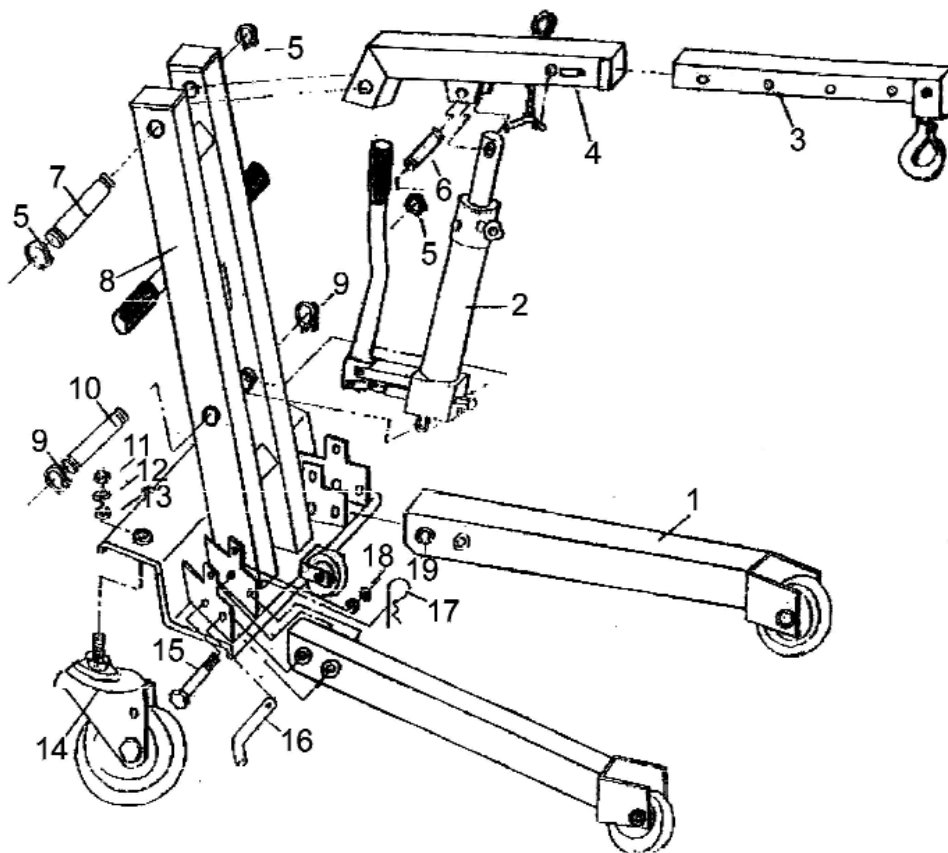


Issue: 2
Issue date: 230703



Item	Part No.	Description	Item	Part No.	Description
1	500KC.V2.01	Base extensions	11	500KC.V2.11	Nut M12
2	500KC.V2.02	Hydraulic unit	12	500KC.V2.12	Lock Washer M12
3	500KC.V2.03	Boom extension	13	500KC.V2.13	Washer M12
4	500KC.V2.04	Boom	14	500KC.V2.14	Caster
5	500KC.V2.05	E-Ring 22mm	15	500KC.V2.15	Bolt M14 x 80
6	500KC.V2.06	Lock pin 22 x 70mm	16	500KC.V2.16	Pin
7	500KC.V2.07	Lock pin 22 x 170mm	17	500KC.V2.17	Pin clip
8	500KC.V2.08	Post	18	500KC.V2.18	Washer M14
9	500KC.V2.09	E-Ring 25mm	19	500KC.V2.19	Nut M14
10	500KC.V2.10	Lock pin 25 x 170mm			