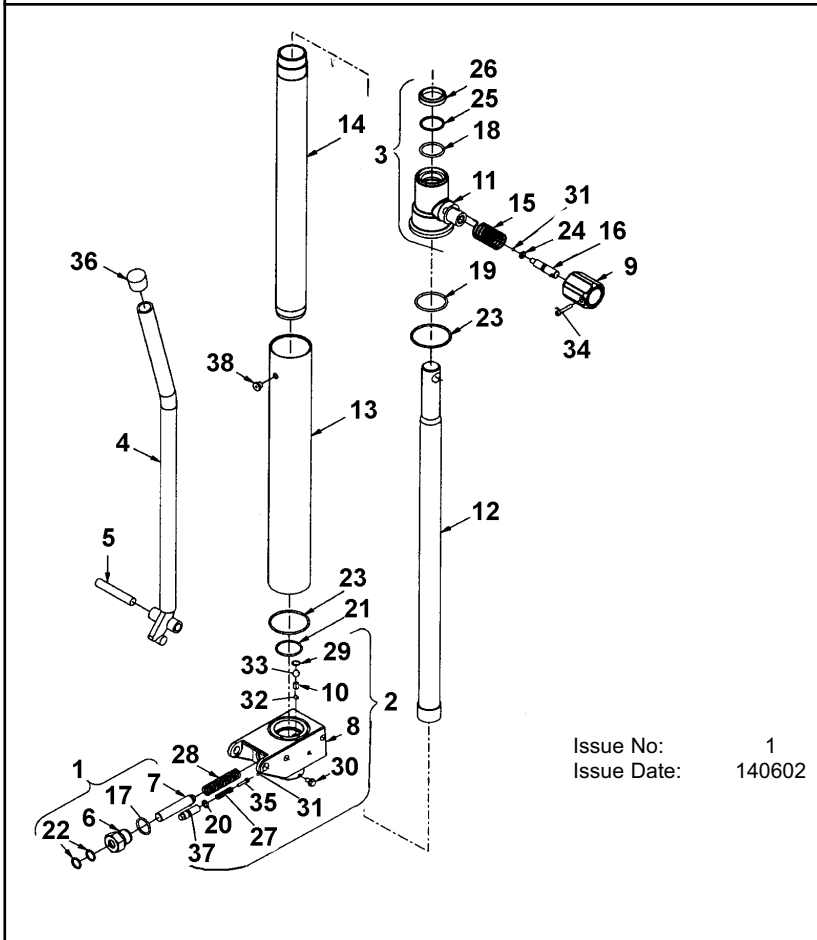


ITEM	PART NO.	DESCRIPTION
1	100/1601400	MAST
2	100/1600200	RIGHT LEG
3	100/1600300	LEFT LEG
4	100/1600400	MAIN JIB
5	100/1600500	EXTENSION JIB
6	100/1600600	AXLE FOR JIB/MAST
7	100/1600800	AXLE FOR WHEEL
8	100/1700700	AXLE FOR ARM/CYL.
9	100/1000600	SPIKE FOR ARM
10	100/5000300	SPIKE FOR LEG
11	100/9084000	PUMP COMPLETE
12	100/02005	NUT
13	100/02121	WASHER PLATE
14	100/02203	CIRCLIP
15	100/02204	CIRCLIP
16	100/02224	CIRCLIP
17	100/02239	LOCK SPLIT
18	100/02281	SCREW
19	100/02282	BOLT
20	100/02321	BOLT
21	100/02374	PLASTIC KNOB
22	100/02380	PLASTIC BALL
23	100/02443	WHEEL
24	100/02449	REVOLVING WHEEL COMP.



ITEM	PART NO.	DESCRIPTION
-	100/9084000	PUMP COMPLETE
1	100/9083100	PUMP PISTON COMPLETE
2	100/9083200	PUMP BLOCK COMPLETE
3	100/9083300	CYLINDER NUT COMPLETE
4	100/9083600	PUMP LEVER
5	100/9083700	AXLE FOR PUMP LEVER
6	100/9052700	PISTON GUIDE
7	100/9055700	PUMP PISTON
8	100/9060900	PUMP BLOCK
9	100/9061100	RELEASE HANDLE
10	100/9061200	VALVE WEIGHT
11	100/9061300	CYLINDER NUT
12	100/9062100	PISTON ROD
13	100/9062200	RESERVOIR
14	100/9062300	CYLINDER TUBE
15	100/9062400	SPRING
16	100/9062800	VALVE SPINDLE
17	100/01004	O-RING
18	100/01017	O-RING
19	100/01020	O-RING
20	100/01040	O-RING
21	100/01058	O-RING
22	100/01069	O-RING
23	100/01070	O-RING
24	100/01086	O-RING
25	100/01156	BACK-UP RING
26	100/01264	SCRAPER RING
27	100/02038	SPRING
28	100/02039	SPRING
29	100/02214	CIRCLIP
30	100/02281	SCREW
31	100/02290	BALL Ø4.5
32	100/02292	BALL Ø6.5
33	100/02295	BALL Ø11
34	100/02324	SCREW
35	100/02340	SCREW
36	100/02370	PLASTIC PLUG
37	100/02384	ADJUSTING SCREW
38	100/02448	FILLER PLUG
-	100/0903800	REPAIR KIT

Issue No: 1  
Issue Date: 140602