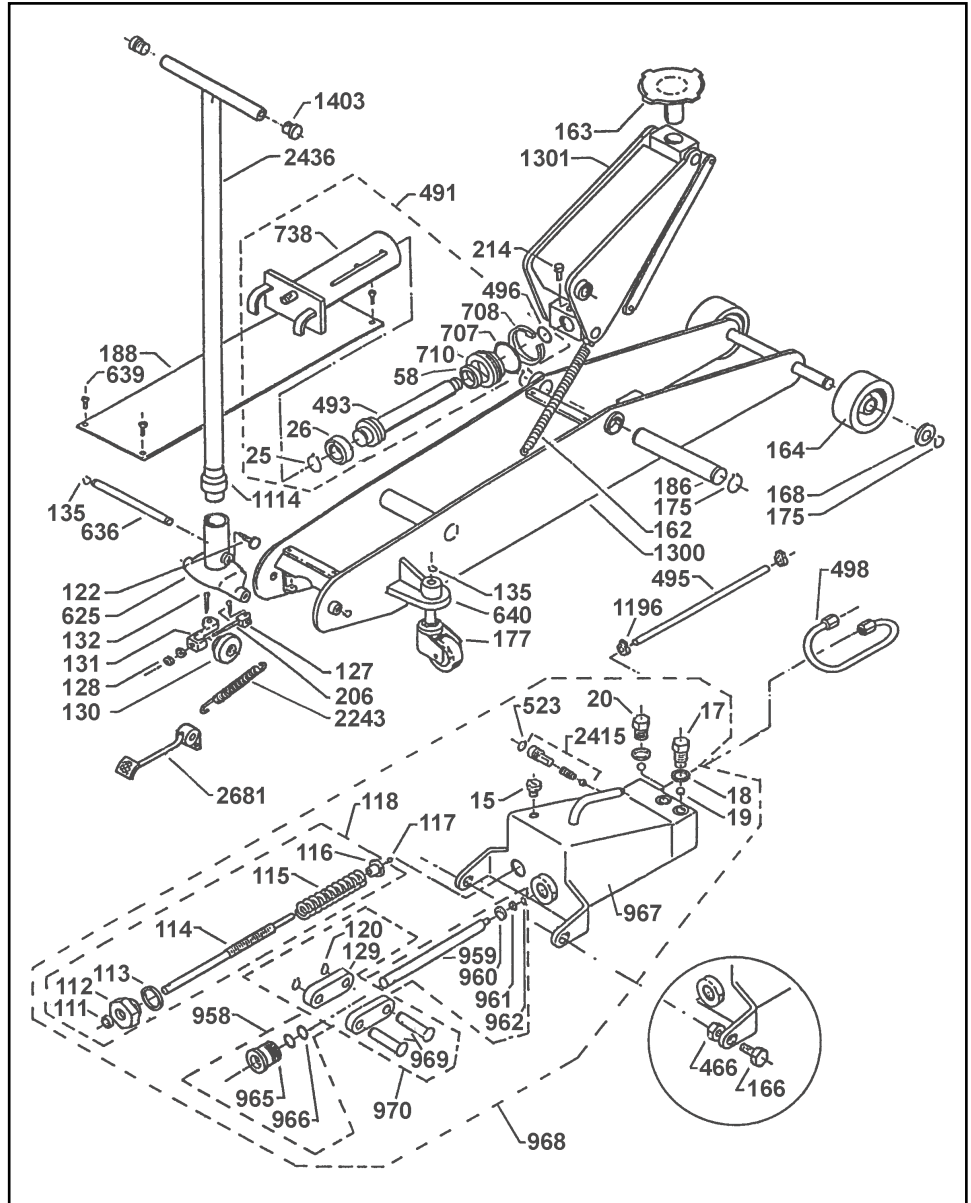


Item	Part No.	Description
15	1001C/15*	Oil plug
17	1001C/17	Valve plug
18	1001C/18*	Copper washer
19	1001C/19*	Valve ball, 8mm
20	1001C/20	Valve plug
25	1001C/25	Lock ring
26	1001C/26*	Sleeve
58	1001C/58*	Seal ring
111	1001C/111*	Seal ring
112	1001C/112	Stuffing box
113	1001C/113*	Gasket
114	1001C/114	Return spindle
115	1001C/115	Spring
116	1001C/116	Nut
117	1001C/117*	Ball, 4mm
118	1001C/118	Return valve, complete
120	1001C/120	Lock ring
122	1001C/122	Knurled screw
127	1001C/127	Release rod
128	1001C/128	Nut
129	1001C/129	Connecting rod
130	1001C/130	Release hub
131	1001C/131	Release arm
132	1001C/132	Split pin
135	1001C/135	Lock ring
162	1001C/162	Spring
163	1001C/163	Saddle
164	1001C/164	Wheel
166	1001C/166	Screw
168	1001C/168	Washer
175	1001C/175	Lock ring
177	1001C/177	Castor wheel, complete
186	1001C/186	Shaft
188	1001C/188	Cover
206	1001C/206	Split pin
214	1001C/214	Bolt
466	1001C/466	Nut
491	1001C/491	Cylinder, complete
493	1001C/493	Piston
495	1001C/495	Oil pipe
496	1001C/496	O-ring
498	1001C/498	Oil pipe
523	1001C/523*	O-ring
625	1001C/625	Fork handle
636	1001C/636	Shaft
639	1001C/639	Screw
640	1001C/640	Bracket
707	1001C/707*	O-ring
708	1001C/708	Lock ring
710	1001C/710	Stuffing box
738	1001C/738	Cylinder
958	1001C/958	Pump piston, complete
959	1001C/959	Pump piston
960	1001C/960*	Sleeve
961	1001C/961*	Brass ring
962	1001C/962*	Lock ring
965	1001C/965	Stuffing box



Item	Part No.	Description
966	1001C/966*	O-ring
967	1001C/967	Pump housing
968	1001C/968	Pump, complete
969	1001C/969	Rivet
970	1001C/970	Set of connecting rods
1114	1001C/1114	Sleeve
1196	1001C/1196	Clamp
1300	1001C/1300	Chassis
1301	1001C/1301	Lifting arm

Item	Part No.	Description
1403	1001C/1403	Nylon cover
2243	1001C/2243	Spring, foot pedal
2415	1001C/2415	Excess-pressure valve
2436	1001C/2436	Jack handle
2681	1001C/2681	Pedal
-	1001C/60056	Repair kit

* = Contained in the repair kit.