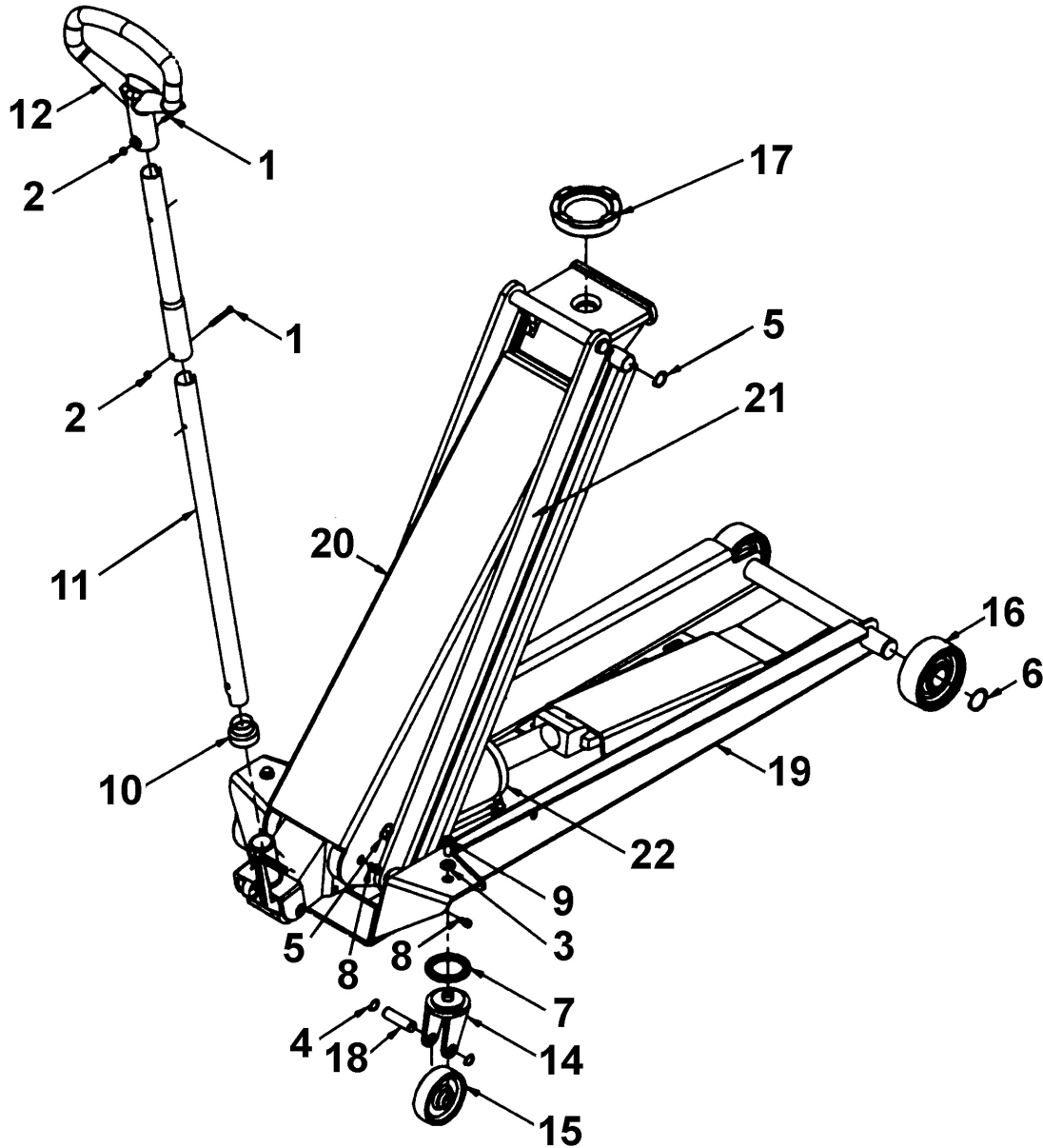


Parts Information:
**Trolley Jack Premier Viking 4tonne Short
 Chassis Low Entry
 Model No: 4002SLE**



Item	Part No.	Description
1	100/0202800	Screw
2	SN6.S	Steel Nut M6 Zinc Din934 (Single)
3	FWM12.S	Flat Washer M12 Single
4	100/02204	Ext Circlip 20.2mm OD.
5	100/02206	Circlip
6	100/02209	Circlip
7	100/0226100	Steel Bearing Race
8	100/02308	Screw
9	SS1225.S	Hex Head Set Screw M12x25mm Single
10	100/3600900	Plastic Cover
11	100/3601000	Lever Tube

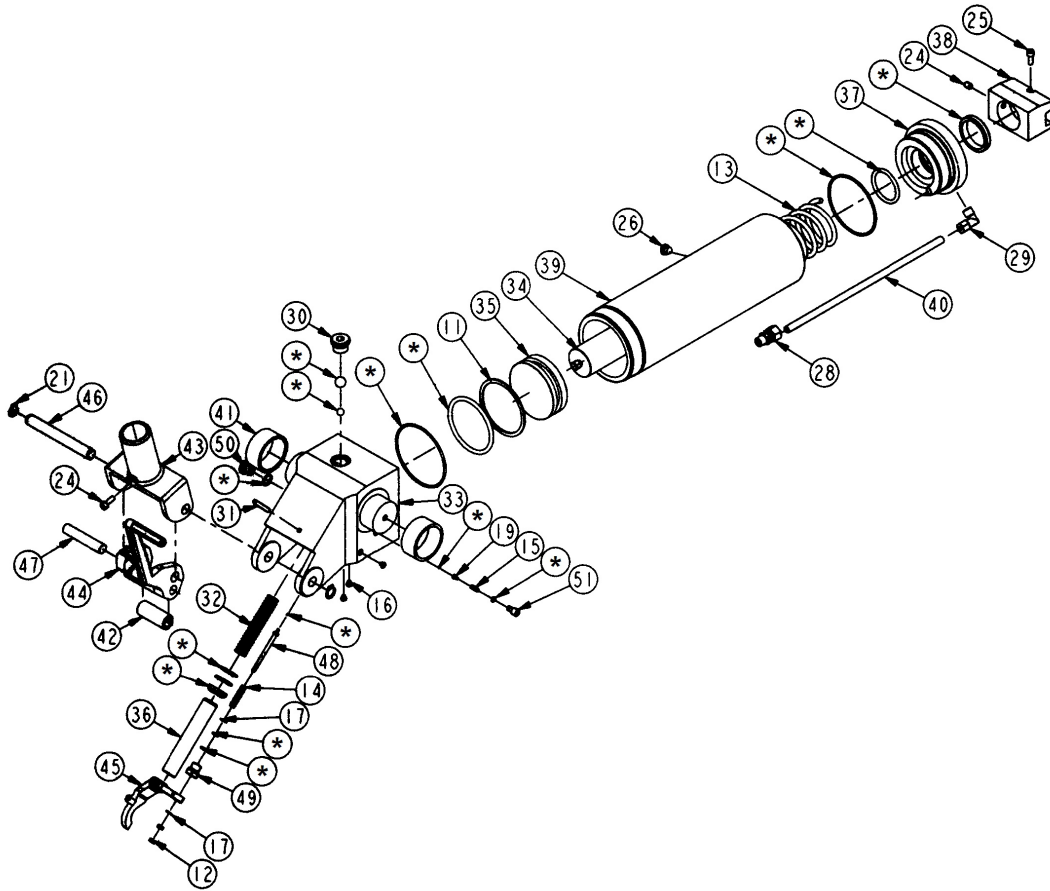
Item	Part No.	Description
12	100/3601100	Handle
14	100/3602800	Wheel Fork
15	100/3602900	Wheel,Fixed (100x18x33)
16	100/3603000	Wheel 121x52x35
17	100/3603100	Saddle
18	100/3603300	Axle
19	100/3602600	Base Frame
20	100/3602700	Lifting Frame
21	100/3604400	Steering Rod
22	100/9101900	Pump Complete

NOTE: It is our policy to continually improve products and as such we reserve the right to alter data, specifications and component parts without prior notice.

IMPORTANT: No liability is accepted for incorrect use of product.

WARRANTY: Guarantee is 12 months from purchase date, proof of which will be required for any claim.

Parts Information:
**Trolley Jack Premier Viking 4tonne Short
 Chassis Low Entry
 Model No: 4002SLE**



Item	Part No.	Description
11	100/0130900	Back-Up Ring
12	SN5.S	Steel Nut M5 Zinc Din934 (Single)
13	100/0202900	Spring
14	100/0205400	Spring
15	100/0207800	Spring
16	100/0208800	Plug
17	100/0210800	Washer
19	100/0215500	Screw
21	100/02224	Ext Circlip 16.9mm OD.
24	100/02313	Counter Screw
25	100/02346	Screw
26	100/02448	Oil Filling Plug
28	100/0263800	Gland
29	100/0263900	Gland
30	100/0264000	Plug
31	100/0268300	Stop Screw
32	100/0268500	Spring
33	100/9102100	Pump Body
34	100/9102500	Piston Rod

Item	Part No.	Description
35	100/9102400	Piston
36	100/9100500	Pump Piston
37	100/9102200	Cylinder Nut
38	100/9102600	Adaptor
39	100/9103200	Cylinder Tube
40	100/9101300	Oil Hose
41	100/9103300	Bearing Bush
42	100/9102300	Roll
43	100/9102700	Tipping Gear
44	100/9102800	Pedal
45	100/9102900	Release Bracket
46	100/9103000	Axle
47	100/9103100	Rolling Axle
48	100/9105600	Release Spindle
49	100/9105700	Release Guide
50	100/9107700	Plug
51	100/9500502	Adjusting Screw
*	100/0904900	Repair Kit

NOTE: It is our policy to continually improve products and as such we reserve the right to alter data, specifications and component parts without prior notice.

IMPORTANT: No liability is accepted for incorrect use of product.

WARRANTY: Guarantee is 12 months from purchase date, proof of which will be required for any claim.