

Item	Part No.	Description
1	3290CX.01	LIFT ARM ASSEMBLY
2	3290CX.02	HANDLE
3	3290CX.03	HANDLE SOCKET
4	3290CX.04	HANDLE BOLT
5	3290CX.05	PLUNGER PIN
6	3290CX.06	SIDE FRAME
7	3290CX.07	LOCK WASHER
8	3290CX.08	LOCK NUT
9	3290CX.09	SOCKET HEAD CAP SCREW
10	3290CX.10	WHEEL,CASTOR (C/W BRACKET) (60x10x29x83)
11	3290CX.11	STUD
12	3290CX.12	BOLT, LEFT
13	3290CX.13	LOCK WASHER
14	3290CX.14	SPLIT LOCK WASHER
15	3290CX.15	RETURN SPRING
16	3290CX.16	RETAINING RING

Item	Part No.	Description
17	3290CX.17	ARM SHAFT
18	3290CX.18	BOLT LINK
19	3290CX.19	SEALING RING (25mm OD x 16.5mm ID x 0.6mm)
20	3290CX.20	LOCK WASHER
21	3290CX.21	LOCK NUT
22	3290CX.22	SADDLE SHAFT
23	3290CX.23	SADDLE
24	3290CX.24	POWER UNIT ASSEMBLY
25	3290CX.25	COTTER PIN
26	3290CX.26	RETAINING RING
27	3290CX.27	WHEEL, FIXED (BLACK) (66x20x43x75)
28	3290CX.28	CIRCLIP (ID 18MM)
29	3290CX.29	RETURN SPRING
30	3290CX.30	BLOCK
31	3290CX.31	BOLT
--	3290CX.RK	REPAIR KIT

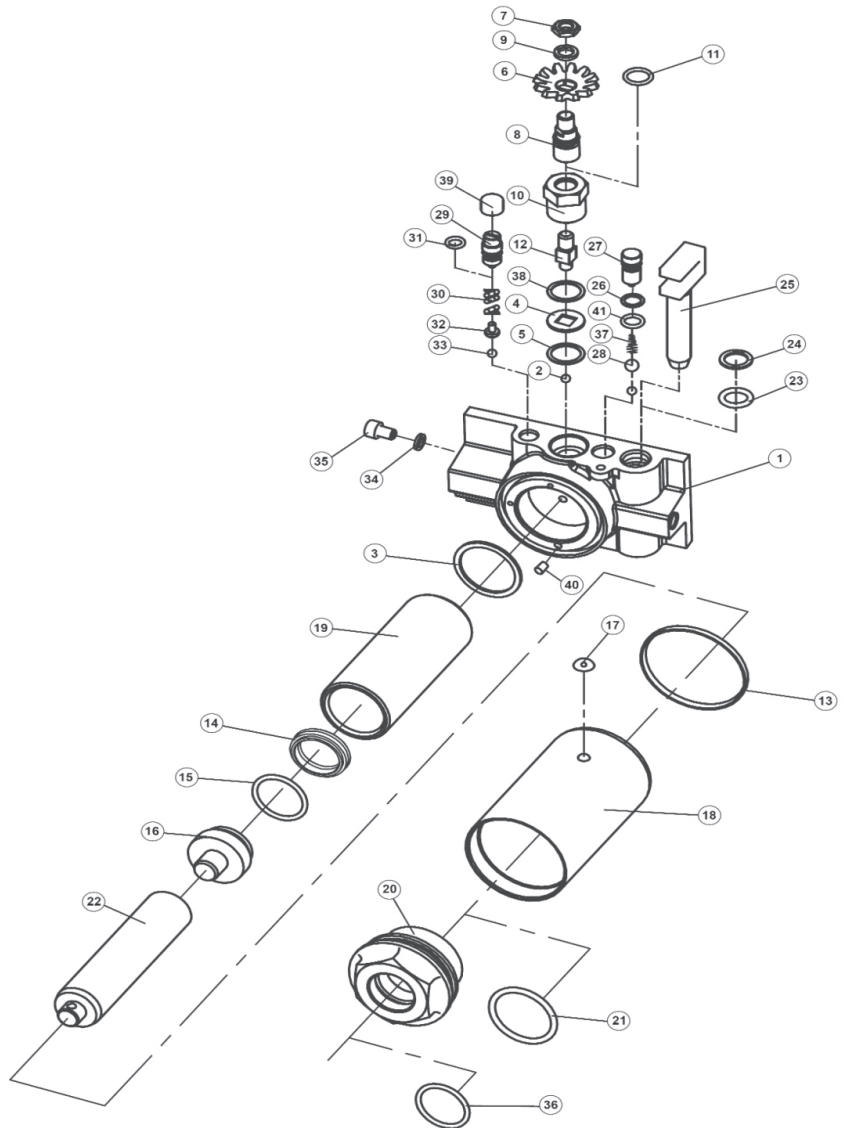
NOTE: It is our policy to continually improve products and as such we reserve the right to alter data, specifications and component parts without prior notice.

IMPORTANT: No liability is accepted for incorrect use of product.

WARRANTY: Guarantee is 12 months from purchase date, proof of which will be required for any claim.

Item	Part No.	Description
1	3290CX.P01	BASE PLATE
2	3290CX.P02	STEEL BALL
3	3290CX.P03	PLASTIC RING
4	3290CX.P04	WASHER WITH SQUARE CENTRE
5	3290CX.P05	ALUMINIUM WASHER
6	3290CX.P06	GEAR
7	3290CX.P07	LOCK NUT
8	3290CX.P08	VALVE CONNECT
9	3290CX.P09	WASHER
10	3290CX.P10	VALVE NUT
11	3290CX.P11	O-RING
12	3290CX.P12	RELEASE CORE
13	3290CX.P13	SEAL RING
14	3290CX.P14	SEAL RING
15	3290CX.P15	WHITE NYLON BOWL WASHER
16	3290CX.P16	PISTON
17	3290CX.P17	OIL FILLER PLUG
18	3290CX.P18	RESERVOIR
19	3290CX.P19	CYLINDER
20	3290CX.P20	TOP CAP
21	3290CX.P21	O-RING
22	3290CX.P22	PISTON ROD ASS'Y
23	3290CX.P23	PLASTIC RING
24	3290CX.P24	RETAINING RING
25	3290CX.P25	PLUNGER
26	3290CX.P26	RETURNING RING
27	3290CX.P27	RELEASE VALVE NUT
28	3290CX.P28	STEEL BALL
29	3290CX.P29	SAFETY VALVE NUT
30	3290CX.P30	SAFETY VALVE SPRING
31	3290CX.P31	O-RING
32	3290CX.P32	SPRING BASE
33	3290CX.P33	STEEL BALL
34	3290CX.P34	PLASTIC RING
35	3290CX.P35	NUT
36	3290CX.P36	O-RING
37	3290CX.P37	TAPER SPRING
38	SWM8.S	SPRING WASHER M8 ZINC (SINGLE)
39	3290CX.P39	SAFETY VALVE COVER
40	3290CX.P40	OIL FILTER SCREEN
41	3290CX.P41	O-RING

Pump Breakdown



NOTE: It is our policy to continually improve products and as such we reserve the right to alter data, specifications and component parts without prior notice.

IMPORTANT: No liability is accepted for incorrect use of product.

WARRANTY: Guarantee is 12 months from purchase date, proof of which will be required for any claim.