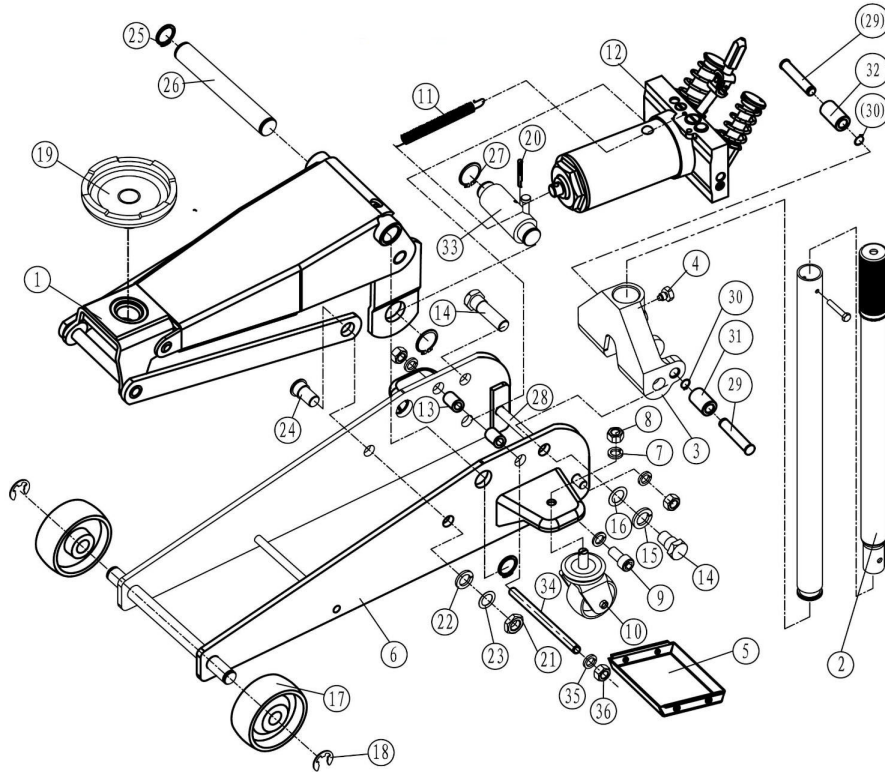


## Parts Information: Trolley Jack 3tonne Super Rocket Lift Professional Model No: 3012CXD



Item	Part No.	Description
1	3012CXD.01	LIFTING ARM ASS'Y
2	3012CXD.02	HANDLE ASS'Y
3	3012CXD.03	HANDLE SOCKET
4	3012CXD.04	HANDLE SCREW
5	3012CXD.05	COVER PLATE
6	3012CXD.06	FRAME ASSEMBLY
7	FWM12.SB	FLAT WASHER M12 BLACK (SINGLE)
8	SN12.S	STEEL NUT M12 ZINC DIN934(SINGLE)
9	3012CXD.09	SCREW (M12x25)
10	3012CXD.10	CASTOR ASS'Y 60mm dia RED
11	3012CXD.11	RETURN SPRING
12	3012CXD.12	HYDRAULIC UNIT
13	3012CXD.13	SLEEVE
14	3012CXD.14	BOLT, LEFT M18X25
15	3012CXD.15	SEAL WASHER (M18)
16	SWM18.SB	SPRING WASHER M18 BLACK(SINGLE)
17	3012CXD.17	WHEEL,FRONT FIXED (95x19x50)
18	3012CXD.18	E-CLIP
19	3012CXD.19	SADDLE ASSEMBLY

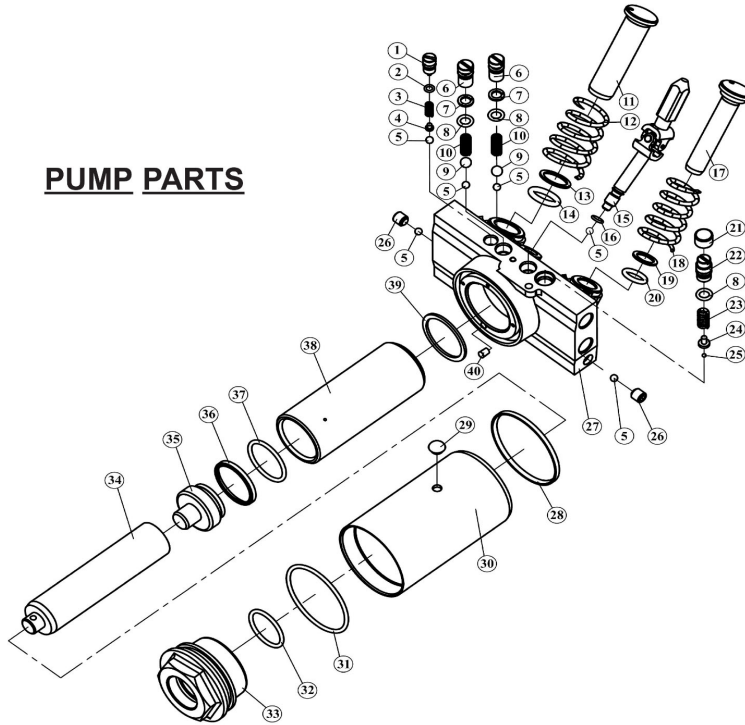
Item	Part No.	Description
20	3012CXD.20	COTTER PIN (4x40)
21	3012CXD.21	WASHER (M16)
22	SN16.S	STEEL NUT M16 ZINC DIN934(SINGLE)
23	3012CXD.23	WASHER FOR LINKING BOLT
24	3012CXD.24	LINKING BOLT
25	2500LE.19	RETAINING RING 25
26	3012CXD.26	SUPPORT SHAFT
27	3012CXD.27	RETAINING RING
28	3012CXD.28	SUPPORT SHAFT
29	3012CXD.29	BOLT, RIGHT M12X65
30	3012CXD.30	WASHER (M12)
31	3012CXD.31	HANDLE SOCKET PIN (SHORT)
32	3012CXD.32	HANDLE SOCKET PIN (LONG)
33	3012CXD.33	CONNECTING ROD
34	3012CXD.34	HANDLE SOCKET ROD
35	3012CXD.35	WASHER (M10)
36	SN10.S	STEEL NUT M10 ZINC DIN934(SINGLE)
--	3012CXD/RK	REPAIR KIT (NOT SHOWN)

**NOTE:** It is our policy to continually improve products and as such we reserve the right to alter data, specifications and component parts without prior notice.

**IMPORTANT:** No liability is accepted for incorrect use of product.

**WARRANTY:** Guarantee is 12 months from purchase date, proof of which will be required for any claim.

## PUMP PARTS



Item	Part No.	Description
1	3012CXD.P01	OVERLOAD VALVE NUT
2	3012CXD.P02	O-RING
3	3012CXD.P03	SAFETY VALVE SPRING
4	3012CXD.P04	SPRING BASE
5	SB-6.0	STEEL BALL 6.0mm
6	3012CXD.P06	OIL FILLER PLUG
7	3012CXD.P07	RETAINING RING
8	3012CXD.P08	O-RING
9	SB-9.0	STEEL BALL 9.0mm
10	3012CXD.P10	SPRING
11	3012CXD.P11	PLUNGER (LARGE)
12	3012CXD.P12	PLUNGER SPRING (LARGE)
13	3012CXD.P13	RETAINING RING PLASTIC 22mm
14	3012CXD.P14	O-RING 22mm
15	3012CXD.P15	DISCHARGE VALVE ASS'Y
16	3012CXD.P16	O-RING
17	3012CXD.P17	PLUNGER (SMALL)
18	3012CXD.P18	PLUNGER SPRING (SMALL)
19	3012CXD.P19	RETAINING RING PLASTIC 18mm
20	3012CXD.P20	O-RING 19mm

Item	Part No.	Description
21	3012CXD.P21	PLUG
22	3012CXD.P22	OVERLOAD VALVE NUT
23	3012CXD.P23	SAFETY VALVE SPRING
24	3012CXD.P24	SAFETY VALVE SPRING BASE
25	SB-3.0	STEEL BALL 3.0mm
26	3012CXD.P26	LOCK BOLT (M10)
27	3012CXD.P27	BASE PLATE
28	3012CXD.P28	RUBBER SEAL (LARGE)
29	3012CXD.P29	OIL FILLER PLUG
30	3012CXD.P30	RESERVOIR
31	3012CXD.P31	O-RING
32	3012CXD.P32	O-RING
33	3012CXD.P33	TOP CAP
34	3012CXD.P34	PISTON ROD
35	3012CXD.P35	PISTON
36	3012CXD.P36	BOWL WASHER BLUE
37	3012CXD.P37	O-RING
38	3012CXD.P38	CYLINDER
39	3012CXD.P39	RECTANGLE RING
40	3012CXD.P40	OIL FILTER

**NOTE:** It is our policy to continually improve products and as such we reserve the right to alter data, specifications and component parts without prior notice.

**IMPORTANT:** No liability is accepted for incorrect use of product.

**WARRANTY:** Guarantee is 12 months from purchase date, proof of which will be required for any claim.