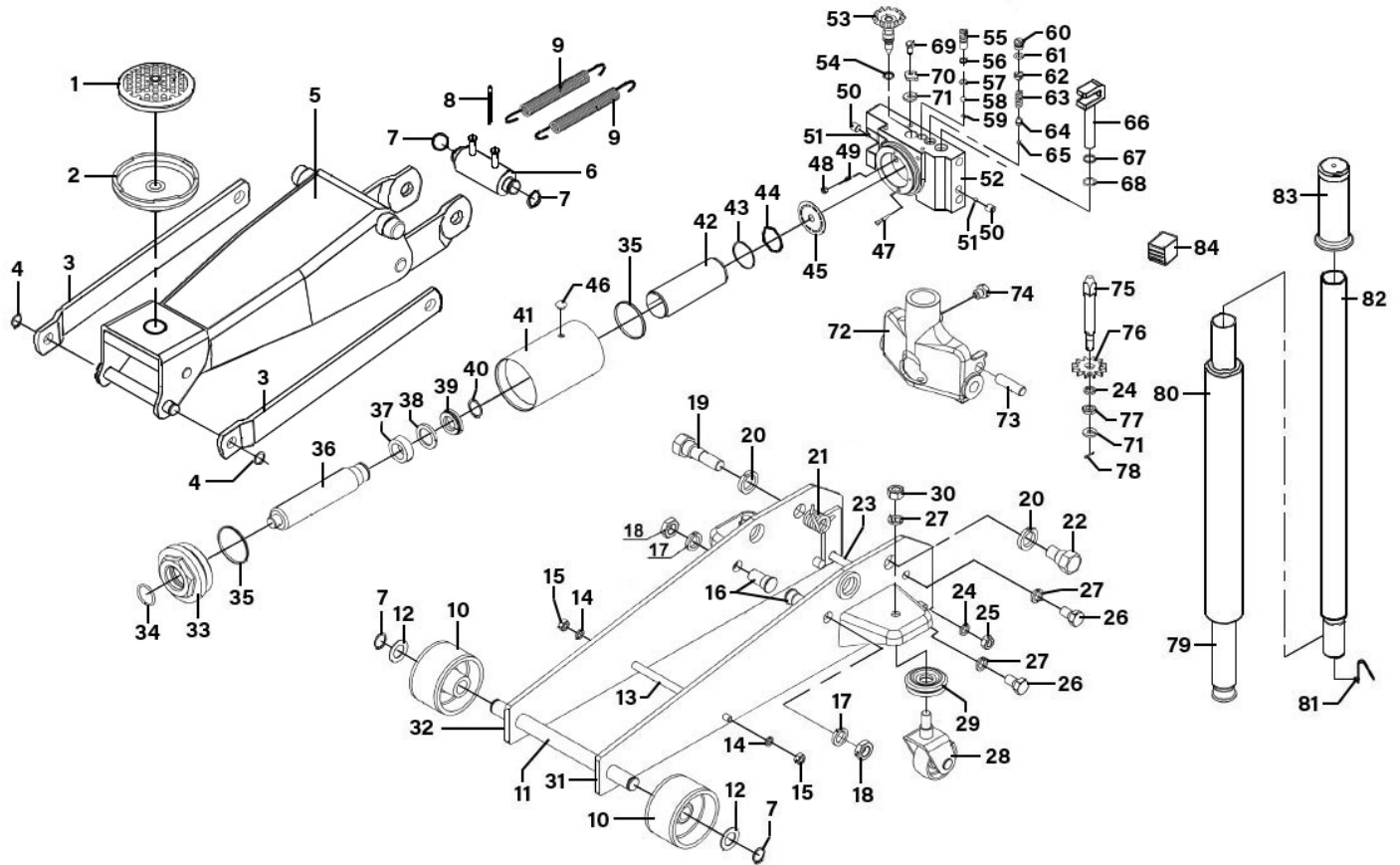




Parts Information:  
**Trolley Jack 3 Tonne Standard Chassis with Axle Stands (Pair) 3 Tonne Capacity per Stand**  
**Model No: 3010CX.V3**



Item	Part No.	Description	Qty
1	JP19	Safety Rubber Jack Pad - Type C	1
2	3000CXDV6-02	Saddle, White Serrated (M) Ø 110mm (Shaft Ø 30mm)	1
3	SQ0359	Radius Link	2
4	SQ0027	External Circlip 16.0mm ID	2
5	SQ0361	Lift Arm Assembly	1
6	SQ0362	Connection Rod	1
7	SQ0031	Snap Ring 19mm	4
8	SQ0040	Cotter Pin	1
9	SQ0185	Return Spring Dia 16mm	2
10	SQ0365	Front Wheel	2
11	SQ0143	Front Axle	1
12	FWM18.S	Flat Washer M18 Zinc	2
13	SQ0412	Frame Tie Rod	1
14	SWM8.S	Spring Washer M8 Zinc	2
15	NLN8.S	Nyloc Nut M8 Zinc	2
16	SQ0089	Radius Link Stud	2
17	SWM16.S	Spring Washer M16 Zinc	2
18	SN16.SD	Steel Nut M16 Domed Zinc	2

Item	Part No.	Description	Qty
19	SQ0090	Handle Sleeve Bolt	2
20	SWM20.S	Spring Washer M20 Zinc	2
21	SQ0091	Torsion Spring Dia 24.9mm	1
22	SQ0090	Handle Sleeve Bolt	1
23	SQ0413	Frame Tie Rod	1
24	SWM10.S	Spring Washer M10 Zinc	3
25	SN10.S	Steel Nut M10 Zinc	2
26	SQ0092	Bolt (M12x1.25x20)	4
27	SWM12.S	Spring Washer M12 Zinc	6
28	SQ0094	Rear Castor Assembly	2
29	4040A.27	Bearing Race Assembly	2
30	SN12.S	Steel Nut M12 Zinc	2
31	SQ0366	Frame, Left Side	1
32	SQ0367	Frame, Right Side	1
33	SQ0098	Top Nut	1
34	AK451DX.06	O-Ring, (Ex: 38.41 In: 31.35 Cs: 3.53)	1
35	SQ0100	Sealing Ring	2
36	SQ0368	Ram Plunger	1

**NOTE:** It is our policy to continually improve products and as such we reserve the right to alter data, specifications and component parts without prior notice. There may be alternative versions of this product, please contact us should you require this information.

**IMPORTANT:** No liability is accepted for incorrect use of product. Spare parts must be fitted by a competent person

**WARRANTY:** Guarantee is 12 months from purchase date, proof of which will be required for any claim.

Sealey Group, Kempson Way, Suffolk Business Park, Bury St Edmunds, Suffolk. IP32 7AR



01284 757500



sales@sealey.co.uk



www.sealey.co.uk



Parts Information:  
**Trolley Jack 3 Tonne Standard Chassis with  
Axle Stands (Pair) 3 Tonne Capacity per  
Stand**  
**Model No: 3010CX.V3**

Item	Part No.	Description	Qty
37	SQ0095	Bushing Cover	1
38	SQ0096	Back-up Washer	1
39	SQ0097	U-Cup Seal	1
40	SQ0033	Snap Ring 24mm	1
41	SQ0370	Reservoir	1
42	SQ0369	Cylinder	1
43	SQ0101	Back-up Washer	1
44	SQ0103	O-Ring (44.5x2.5)	1
45	SQ0414	Disc Washer	1
46	SQ0138	Oil Filler Plug	1
47	SQ0121	Filter / Filter	1
48	4040TB.49	Throttle Valve	1
49	SQ0249	Spring	1
50	SQ0107	Screw Cap	2
51	SQ0385	Steel Ball	2
52	SQ0363	Base	1
53	SQ0122	Release Valve Assembly	1
54	SQ0105	O-Ring (10.6x2.4)	1
55	SQ0112	Bolt (M10x1)	1
56	SQ0110	Back-up Washer	1
57	GSA08.09-4	O-Ring, (Ex: 11.21 In: 7.65 Cs: 1.78)	1
58	SB-7.0	Steel Ball 7.0mm	1
59	SB-5.0	Steel Ball 5.0mm	1
60	SQ0113	Guard Screw	1
61	SQ0114	O-Ring, (Ex: 12.80 In: 8.08 Cs: 2.36)	1
62	SQ0115	Safety Valve Screw	1

Item	Part No.	Description	Qty
63	SQ0117	Valve Spring Dia 10.3mm	1
64	SQ0118	Ball Seat Valve	1
65	SB-4.0	Steel Ball 4.0mm	1
66	SQ0415	Pump Piston	1
67	SQ0130	Back-up Washer	1
68	SQ0131	O-Ring (14.6x2.4)	1
69	SS612.S	Hex Head Set Screw M6 X 12 Zinc	1
70	SQ0357	Guide Plate	1
71	SQ0013	Washer	2
72	SQ0371	Handle Socket	1
73	SQ0123	Handle Socket Pin	1
74	4040A.87N	Handle Socket Bolt	1
75	SQ0372	Release Valve Lever	1
76	SQ0124	Tipping Gear	1
77	SQ0007	Hex Nut (Thin)	1
78	SQ0038	Retainer Pin	1
79	SQ0387	Upper Handle	1
80	SQ0132	Handle Sleeve	1
81	SQ0160	Handle Lock Button	1
82	SQ0176	Upper Handle (c/w Part 83)	1
83	SQ0128	Handle Grip	1
84	SQ0354	Handle Locking Block	1
--	SQ0416	Hydraulic Unit Assembly (Not Shown)	1
--	3000CXD.V6-RK	Repair Kit (Not Shown)	1
--	AS3.PIN	Pin for Axle Stand (Not Shown)	1

**NOTE:** It is our policy to continually improve products and as such we reserve the right to alter data, specifications and component parts without prior notice. There may be alternative versions of this product, please contact us should you require this information.

**IMPORTANT:** No liability is accepted for incorrect use of product. Spare parts must be fitted by a competent person

**WARRANTY:** Guarantee is 12 months from purchase date, proof of which will be required for any claim.

Sealey Group, Kempson Way, Suffolk Business Park, Bury St Edmunds, Suffolk. IP32 7AR



01284 757500



sales@sealey.co.uk



www.sealey.co.uk