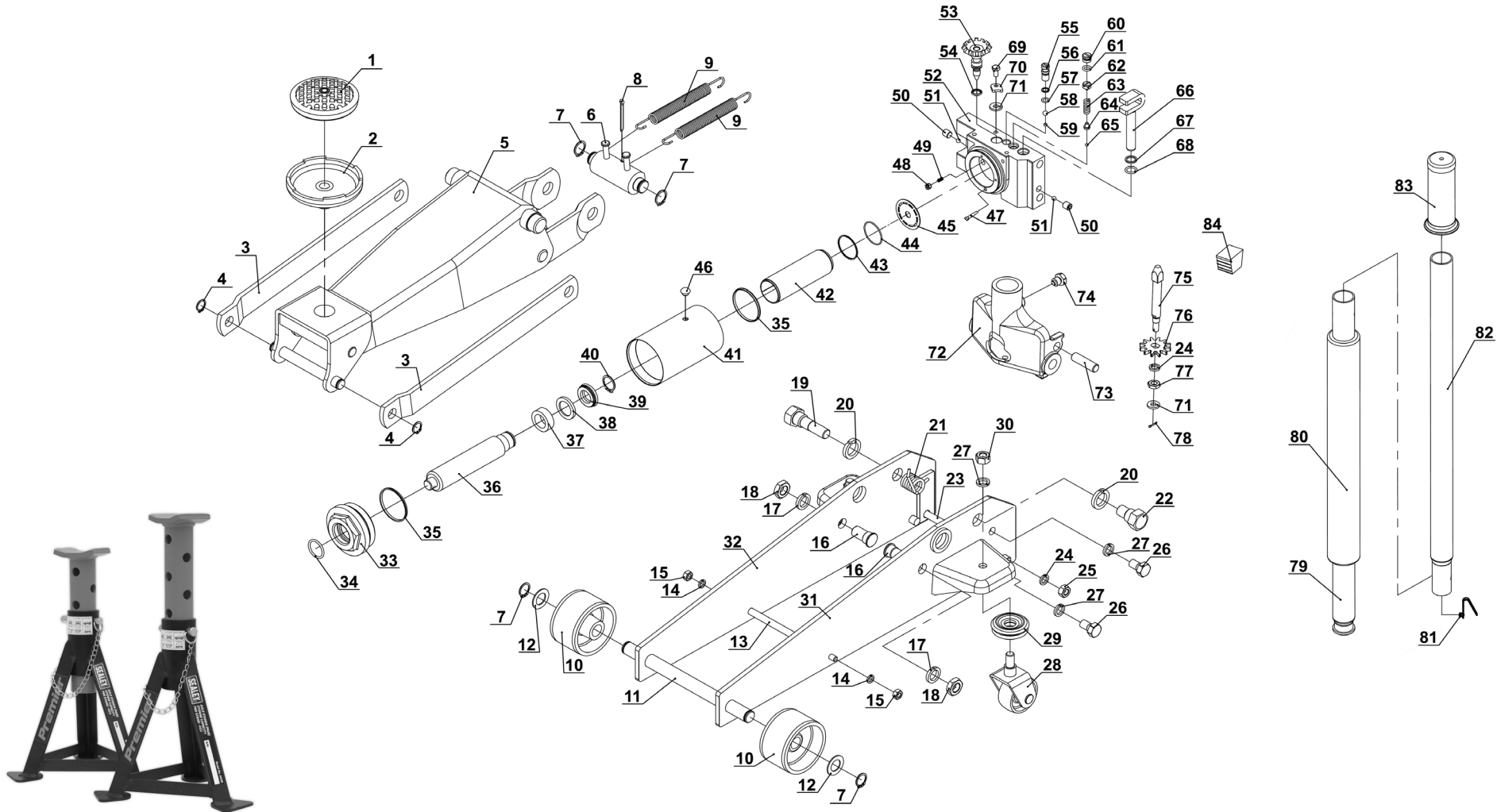




Parts Information:
Trolley Jack 3tonne Standard Chassis with Axle Stands (Pair) 3tonne
Capacity per Stand
Model No: 3010CX.V3



NOTE: It is our policy to continually improve products and as such we reserve the right to alter data, specifications and component parts without prior notice.

There may be alternative versions of this product, please contact us should you require this information.

IMPORTANT: No liability is accepted for incorrect use of product. Spare parts must be fitted by a competent person

WARRANTY: Guarantee is 12 months from purchase date, proof of which will be required for any claim.

Sealey Group, Kempson Way, Suffolk Business Park, Bury St Edmunds, Suffolk. IP32 7AR



01284 757500



01284 703534



sales@sealey.co.uk



www.sealey.co.uk



Parts Information:
**Trolley Jack 3tonne Standard Chassis with
 Axle Stands (Pair) 3tonne Capacity per
 Stand**
Model No: 3010CX.V3

Item	Part No.	Description
1	JP19	Safety Rubber Jack Pad - Type C
2	SQ0360	Saddle
3	SQ0359	Radius Link
4	SQ0027	External Circlip 16.0mm ID.
5	SQ0361	Lift Arm Assembly
6	SQ0362	Connection Rod
7	SQ0031	Snap Ring 19mm
8	SQ0040	Cotter Pin
9	SQ0185	Return Spring Dia 16mm
10	SQ0365	Front Wheel
11	SQ0143	Front Axle
12	FWM18.S	Flat Washer M18 Zinc
13	SQ0412	Frame Tie Rod
14	SWM8.S	Spring Washer M8 Zinc
15	NLN8.S	Nyloc Nut M8 Zinc
16	SQ0089	Radius Link Stud
17	SWM16.S	Spring Washer M16 Zinc
18	SN16.SD	Steel Nut M16 Domed Zinc
19	SQ0090	Handle Sleeve Bolt
20	SWM20.S	Spring Washer M20 Zinc
21	SQ0091	Torsion Spring Dia 24.9mm
22	SQ0090	Handle Sleeve Bolt
23	SQ0413	Frame Tie Rod
24	SWM10.S	Spring Washer M10 Zinc
25	SN10.S	Steel Nut M10 Zinc
26	SQ0092	Bolt (M12x1.25x20)
27	SWM12.S	Spring Washer M12 Zinc
28	SQ0094	Rear Castor Assembly
29	SQ0093	Roller Bearing Assembly
30	SN12.S	Steel Nut M12 Zinc
31	SQ0366	Frame, Left Side
32	SQ0367	Frame, Right Side
33	SQ0098	Top Nut
34	AK451DX.06	O-ring, (Ex: 38.41 In: 31.35 Cs: 3.53)
35	SQ0100	Sealing Ring
36	SQ0368	Ram Plunger
37	SQ0095	Bushing Cover
38	SQ0096	Back-up Washer
39	SQ0097	U-Cup Seal
40	SQ0033	Snap Ring 24mm
41	SQ0370	Reservoir
42	SQ0369	Cylinder
43	SQ0101	Back-up Washer
44	SQ0103	O-Ring (44.5x2.5)

Item	Part No.	Description
45	SQ0414	Disc Washer
46	SQ0138	Oil Filler Plug
47	SQ0121	Filter
48	SQ0247	Throttle Valve
49	SQ0249	Spring
50	SQ0107	Screw Cap
51	SQ0385	Steel Ball
52	SQ0363	Base
53	SQ0122	Release Valve Assembly
54	SQ0105	O-Ring (10.6x2.4)
55	SQ0112	Bolt (M10x1)
56	SQ0110	Back-up Washer
57	GSA08.09-4	O-ring, (Ex: 11.21 In: 7.65 Cs: 1.78)
58	SB-7.0	Steel Ball 7.0mm
59	SB-5.0	Steel Ball 5.0mm
60	SQ0113	Guard Screw
61	SQ0114	O-Ring, (Ex: 12.80 In: 8.08 Cs: 2.36)
62	SQ0115	Safety Valve Screw
63	SQ0117	Valve Spring Dia 10.3mm
64	SQ0118	Ball Seat Valve
65	SB-4.0	Steel Ball 4.0mm
66	SQ0415	Pump Piston
67	SQ0130	Back-up Washer
68	SQ0131	O-Ring (14.6x2.4)
69	SS612.S	Hex Head Set Screw M6 X 12 Zinc
70	SQ0357	Guide Plate
71	SQ0013	Washer
72	SQ0371	Handle Socket
73	SQ0123	Handle Socket Pin
74	SQ0358	Handle Socket Bolt (M12 x 13)
75	SQ0372	Release Valve Lever
76	SQ0124	Tipping Gear
77	SQ0007	Hex Nut (Thin)
78	SQ0038	Retainer Pin
79	SQ0387	Upper Handle
80	SQ0132	Handle Sleeve
81	SQ0160	Handle Lock Button
82	SQ0176	Upper Handle (c/w Part 83)
83	SQ0128	Handle Grip
84	SQ0354	Handle Locking Block
85	SQ0416	Hydraulic Unit Assembly
86	3000CXDV6-RK	Repair Kit for 3000CXDV6
		Spare for Axle Stand
--	AS3.PIN	Retaining Pin

NOTE: It is our policy to continually improve products and as such we reserve the right to alter data, specifications and component parts without prior notice. There may be alternative versions of this product, please contact us should you require this information.

IMPORTANT: No liability is accepted for incorrect use of product. Spare parts must be fitted by a competent person

WARRANTY: Guarantee is 12 months from purchase date, proof of which will be required for any claim.

Sealey Group, Kempson Way, Suffolk Business Park, Bury St Edmunds, Suffolk. IP32 7AR



01284 757500



01284 703534



sales@sealey.co.uk



www.sealey.co.uk