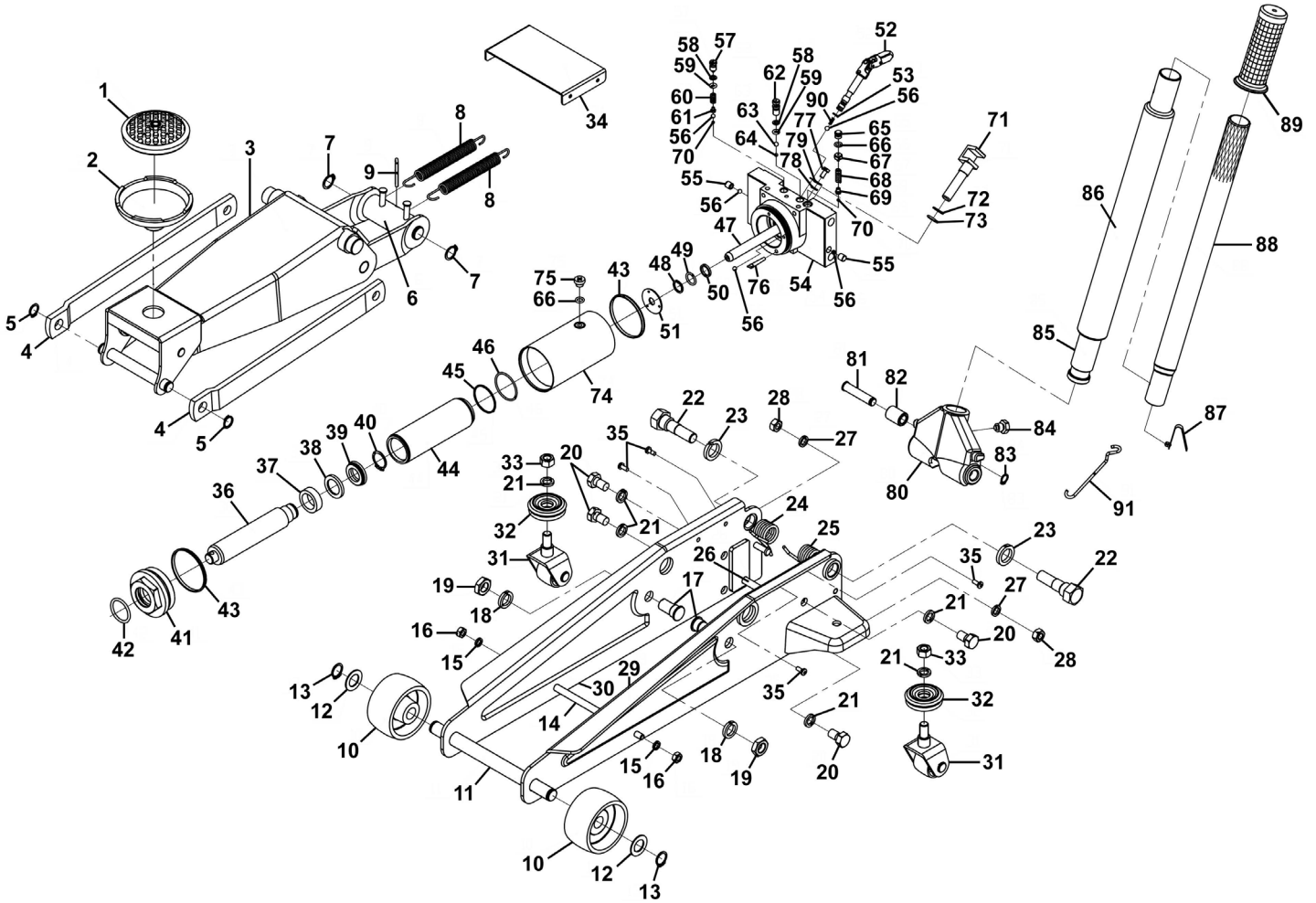




Parts Information:
Quick Lift Standard Chassis Trolley Jack 3 Tonne
Model No: 3000CXD.V7



Item	Part No.	Description	Qty
1	JP19	Safety Rubber Jack Pad - Type C	1
2	3000CXD.V6-02	Saddle, White Serrated (M) Ø 110mm (Shaft Ø 30mm)	1
3	3000CXD.V6-05	Lift Arm Assembly	1
4	3000CXD.V6-03	Radius Link	2
5	1020LE.V3-42	External Circlip 16.0mm ID.	2
6	3000CXD.V6-06	Connection Rod	1
7	3000CXD.V6-07	Snap Ring 19mm	2
8	3001CXP.09	Return Spring	2
9	3000CXD.V6-08	Cotter Pin	1
10	SQ0439	Front Wheel	2
11	3040A.12	Front Axle	1
12	FWM18.S	Flat Washer M18 Zinc	2
13	SQ0030	External Circlip 18.0mm ID.	2
14	SQ0440	Frame Tie Rod (Front)	1

Item	Part No.	Description	Qty
15	SWM8.S	Spring Washer M8 Zinc	2
16	NLN8.S	Nyloc Nut M8 Zinc	2
17	SQ0189	Radius Link Stud	2
18	SWM16.S	Spring Washer M16 Zinc	2
19	NLN16.S	Nyloc Nut M16 Zinc	2
20	3000CXD.V6-26	Bolt (M12x1.25x20)	4
21	SWM12.S	Spring Washer M12 Zinc	6
22	3000CXD.V6-19	Handle Sleeve Bolt (Right)	2
23	SWM20.S	Spring Washer M20 Zinc	2
24	3001CXP.22	Torsion Spring (Left)	1
25	SQ0441	Torsion Spring (Right)	1
26	SQ0442	Frame Tie Rod (Rear)	1
27	SWM10.S	Spring Washer M10 Zinc	2
28	NLN10.S	Nyloc Nut M10 Zinc	2

NOTE: It is our policy to continually improve products and as such we reserve the right to alter data, specifications and component parts without prior notice. There may be alternative versions of this product, please contact us should you require this information.

IMPORTANT: No liability is accepted for incorrect use of product. Spare parts must be fitted by a competent person

WARRANTY: Guarantee is 12 months from purchase date, proof of which will be required for any claim.

Sealey Group, Kempson Way, Suffolk Business Park, Bury St Edmunds, Suffolk. IP32 7AR



01284 757500



sales@sealey.co.uk



www.sealey.co.uk



TM

Parts Information:
Quick Lift Standard Chassis Trolley Jack 3 Tonne
Model No: 3000CXD.V7

Item	Part No.	Description	Qty
29	SQ0443	Frame, Left Side	1
30	SQ0444	Frame, Right Side	1
31	3001CXP.31	Rear Castor Assembly	2
32	3000CXD.V6-29	Roller Bearing Assembly	2
33	SN12.S	Steel Nut M12 Zinc	2
34	SQ0445	Tool Tray	1
35	SQ0446	Screw (M5 x 0.8 x 10)	4
36	SQ0447	Ram Plunger Assembly	1
37	3040A.34	Bushing Cover	1
38	3040A.35	Back-up Washer	1
39	3040A.36	U-Cup Seal	1
40	3000CXD.V6-40	Snap Ring 24mm	1
41	SQ0448	Top Nut	1
42	AK451DX.06	O-ring, (Ex: 38.41 In: 31.35 Cs: 3.53)	1
43	SQ0449	Wedge Ring	2
44	3000CXD.V6-42	Cylinder	1
45	3040A.43	Back-up Washer	1
46	3000CXD.V6-44	O-Ring (44.5x2.5)	1
47	SQ0450	Ram Plunger	1
48	SQ0451	Back-up Washer	1
49	SQ0452	O-Ring (12.7 x 2.4)	1
50	SQ0453	Bushing Cover	1
51	SQ0454	Disc Washer	1
52	SQ0455	Release Valve Assembly	1
53	GSA08.09-4	O-ring, (Ex: 11.21 In: 7.65 Cs: 1.78)	1
54	SQ0456	Base	1
55	3000CXD.V6-50	Screw (M10x1x10)	2
56	SB-6.0	Steel Ball 6.0mm	5
57	4040A.56	Bolt	1
58	4040A.57	Back-up Washer	2
59	GSA08.09-4	O-ring, (Ex: 11.21 In: 7.65 Cs: 1.78)	2
60	SQ0457	Spring	1

Item	Part No.	Description	Qty
61	SQ0111	Safety Valve Base	1
62	3000CXD.V6-55	Bolt (M10x1)	1
63	SB-7.0	Steel Ball 7.0mm	1
64	SB-5.0	Steel Ball 5.0mm	1
65	4040A.50	Guide Screw	1
66	2500LE.V3-54	O-Ring, (Ex: 12.80 In: 8.08 Cs: 2.36)	2
67	4040A.52	Safety Valve Screw	1
68	4040A.53	Valve Spring Dia 10.3mm	1
69	4040A.54	Valve	1
70	SB-4.0	Steel Ball 4.0mm	2
71	SQ0458	Pump Piston	1
72	3000CXD.V6-67	Back-up Washer	1
73	3000CXD.V6-68	O-Ring, (Ex: 19.40 In: 14.60 Cs: 2.40)	1
74	SQ0459	Reservoir	1
75	SQ0460	Oil Filler Plug Screw	1
76	4040A.79	Strainer	1
77	SS612.S	Hex Head Set Screw M6 X 12 Zinc	1
78	SWM6.S	Spring Washer M6 Zinc	1
79	2500LE.V3-84	Flat Washer (26 x 17 x t3)	1
80	SQ0461	Handle Socket	1
81	SQ0462	Handle Socket Pin	1
82	SQ0463	Handle Socket Roller	1
83	2500LE.V3-93	External Circlip 12.0mm ID.	1
84	4040A.87N	Handle Socket Bolt	1
85	3000CXD.V6-79	Lower Handle	1
86	4040A.92	Handle Sleeve	1
87	2001LERE.V2-92	Handle Lock Button	1
88	SQ0176	Upper Handle	1
89	3000CXD.V6-83	Handle Grip	1
90	SQ0344	Release Valve Spring	1
91	SQ0464	Hook	1

NOTE: It is our policy to continually improve products and as such we reserve the right to alter data, specifications and component parts without prior notice. There may be alternative versions of this product, please contact us should you require this information.

IMPORTANT: No liability is accepted for incorrect use of product. Spare parts must be fitted by a competent person

WARRANTY: Guarantee is 12 months from purchase date, proof of which will be required for any claim.

Sealey Group, Kempson Way, Suffolk Business Park, Bury St Edmunds, Suffolk. IP32 7AR



01284 757500



sales@sealey.co.uk



www.sealey.co.uk