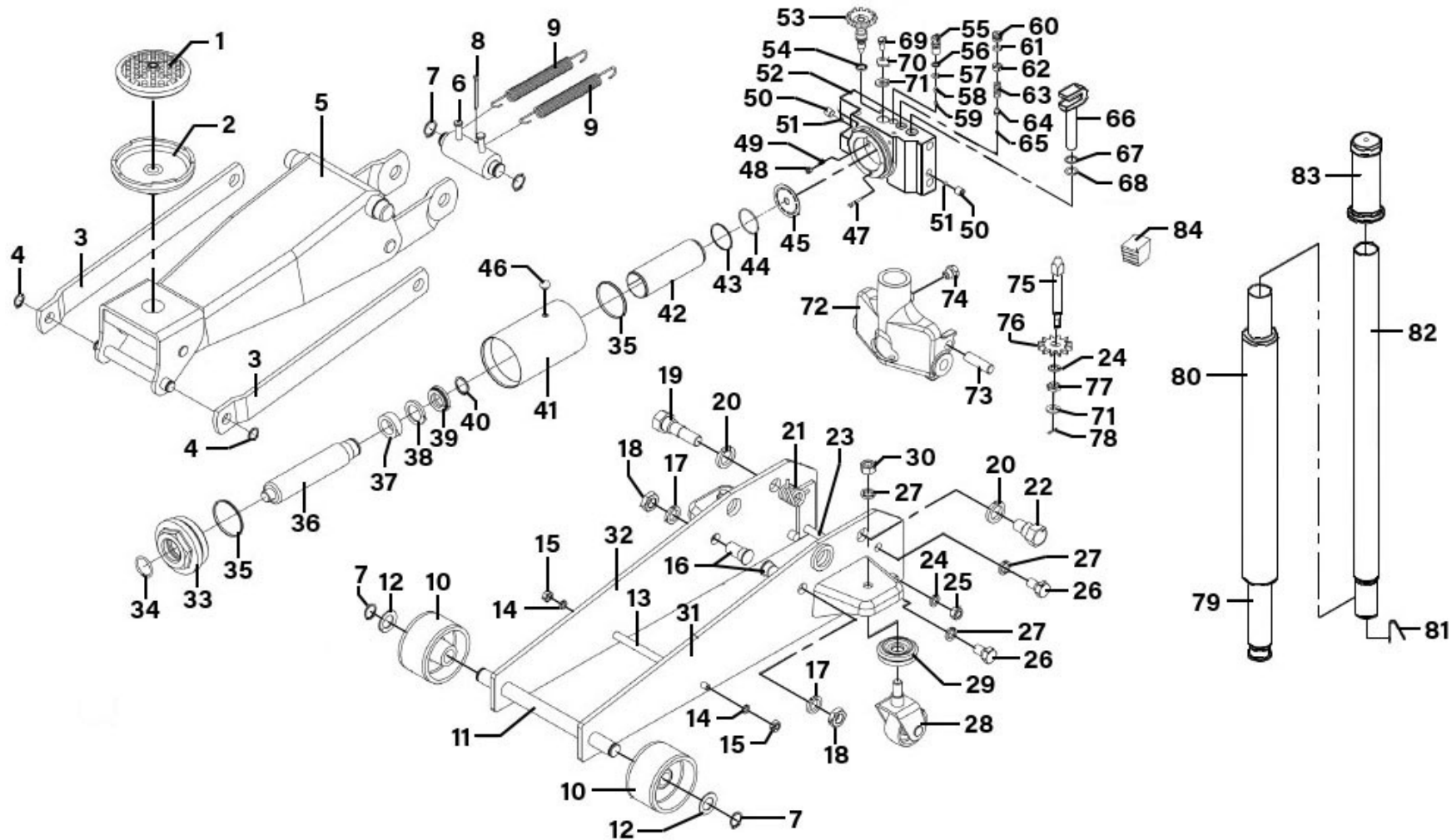




Parts Information:
Trolley Jack 3 Tonne Standard Chassis
Model No: 3000CXD.V6



NOTE: It is our policy to continually improve products and as such we reserve the right to alter data, specifications and component parts without prior notice.

There may be alternative versions of this product, please contact us should you require this information.

IMPORTANT: No liability is accepted for incorrect use of product. Spare parts must be fitted by a competent person

WARRANTY: Guarantee is 12 months from purchase date, proof of which will be required for any claim.

Sealey Group, Kempson Way, Suffolk Business Park, Bury St Edmunds, Suffolk. IP32 7AR



01284 757500



sales@sealey.co.uk



www.sealey.co.uk



Parts Information:
Trolley Jack 3 Tonne Standard Chassis
Model No: 3000CXD.V6

Item	Part No.	Description	Qty
1	JP19	Safety Rubber Jack Pad - Type C	1
2	3000CXD.V6-02	Saddle, White Serrated (M) Ø 110mm	1
3	3000CXD.V6-03	Radius Link	2
4	3000CXD.V6-04	Snap Ring 16mm	2
5	3000CXD.V6-05	Lift Arm Assembly	1
6	3000CXD.V6-06	Connection Rod	1
7	3000CXD.V6-07	Snap Ring 19mm	4
8	3000CXD.V6-08	Cotter Pin	1
9	3000CXD.V6-09	Return Spring Dia 16mm	2
10	3000CXD.V6-10	Front Wheel	2
11	3000CXD.V6-11	Front Axle	1
12	FWM18.S	Flat Washer M18 Zinc	2
13	3000CXD.V6-13	Frame Tie Rod	1
14	SWM8.S	Spring Washer M8 Zinc	2
15	NLN8.S	Nyloc Nut M8 Zinc	2
16	3000CXD.V6-16	Radius Link Stud	2
17	SWM16.S	Spring Washer M16 Zinc	2
18	NLN16.S	Nyloc Nut M16 Zinc	2
19	3000CXD.V6-19	Handle Sleeve Bolt (Right)	2
20	SWM20.S	Spring Washer M20 Zinc	2
21	3000CXD.V6-21	Torsion Spring Dia 24.9mm	1
22	3000CXD.V6-22	Handle Sleeve Bolt (Left)	1
23	3000CXD.V6-23	Frame Tie Rod	1
24	SWM10.S	Spring Washer M10 Zinc	3
25	NLN10.S	Nyloc Nut M10 Zinc	2
26	3000CXD.V6-26	Bolt (M12x1.25x20)	4
27	SWM12.S	Spring Washer M12 Zinc	6
28	3000CXD.V6-28	Rear Castor Assembly	2
29	3000CXD.V6-29	Roller Bearing Assembly	2
30	SN12.S	Steel Nut M12 Zinc	2
31	3000CXD.V6-31	Frame, Left Side	1
32	3000CXD.V6-32	Frame, Right Side	1
33	3000CXD.V6-33	Top Nut	1
34	3000CXD.V6-34	O-Ring (31.6x3.5)	1
35	3000CXD.V6-35	Wedge Ring	2
36	3000CXD.V6-36	Ram Plunger	1
37	3000CXD.V6-37	Bushing Cover	1
38	3000CXD.V6-38	Back-up Washer	1
39	3000CXD.V6-39	U-Cup Seal	1
40	3000CXD.V6-40	Snap Ring 24mm	1
41	3000CXD.V6-41	Reservoir	1
42	3000CXD.V6-42	Cylinder	1
43	3000CXD.V6-43	Back-up Washer	1

Item	Part No.	Description	Qty
44	3000CXD.V6-44	O-Ring (44.5x2.5)	1
45	3000CXD.V6-45	Disc Washer	1
46	3000CXD.V6-46	Oil Seal	1
47	3000CXD.V6-47	Filter	1
48	3000CXD.V6-48	Throttle Valve	1
49	3000CXD.V6-49	Spring	1
50	3000CXD.V6-50	Screw (M10x1x10)	2
51	SB-6.0	Steel Ball 6.0mm	2
52	3000CXD.V6-52	Base	1
53	3000CXD.V6-53	Release Valve Assembly	1
54	3000CXD.V6-54	O-Ring, (Ex: 15.50 In: 10.70 Cs: 2.40)	1
55	3000CXD.V6-55	Bolt (M10x1)	1
56	3000CXD.V6-56	Back-up Washer	1
57	3000CXD.V6-57	O-Ring (7.7x1.9)	1
58	SB-7.0	Steel Ball 7.0mm	1
59	SB-5.0	Steel Ball 5.0mm	1
60	3000CXD.V6-60	Guard Screw	1
61	3000CXD.V6-61	O-Ring (13x2.4)	1
62	3000CXD.V6-62	Safety Valve Screw	1
63	3000CXD.V6-63	Safety Valve Spring	1
64	3000CXD.V6-64	Ball Seat Valve	1
65	SB-4.0	Steel Ball 4.0mm	1
66	3000CXD.V6-66	Pump Piston	1
67	3000CXD.V6-67	Back-up Washer	1
68	3000CXD.V6-68	O-Ring, (Ex: 19.40 In: 14.60 Cs: 2.40)	1
69	SS612.S	Hex Head Set Screw M6 X 12 Zinc	1
70	3000CXD.V6-70	Guide Plate	1
71	3000CXD.V6-71	Washer	2
72	3000CXD.V6-72	Handle Socket	1
73	3000CXD.V6-73	Handle Socket Pin	1
74	3000CXD.V6-74	Handle Socket Bolt (M12x19)	1
75	3000CXD.V6-75	Release Valve Lever	1
76	3000CXD.V6-76	Tipping Gear	1
77	3000CXD.V6-77	Hex Nut (Thin)	1
78	3000CXD.V6-78	Retainer Pin	1
79	3000CXD.V6-79	Lower Handle	1
80	3000CXD.V6-80	Handle Sleeve	1
81	2001LERE.V2-92	Handle Lock Button	1
82	3000CXD.V6-82	Upper Handle (C/W Part 83)	1
83	3000CXD.V6-83	Handle Grip	1
84	3000CXD.V6-84	Handle Locking Block	1
--	3000CXD.V6-HU	Hydraulic Unit Assembly (Not Shown)	1
--	3000CXD.V6-RK	Repair Kit for (Not Shown)	1

NOTE: It is our policy to continually improve products and as such we reserve the right to alter data, specifications and component parts without prior notice. There may be alternative versions of this product, please contact us should you require this information.

IMPORTANT: No liability is accepted for incorrect use of product. Spare parts must be fitted by a competent person

WARRANTY: Guarantee is 12 months from purchase date, proof of which will be required for any claim.

Sealey Group, Kempson Way, Suffolk Business Park, Bury St Edmunds, Suffolk. IP32 7AR



01284 757500



sales@sealey.co.uk



www.sealey.co.uk