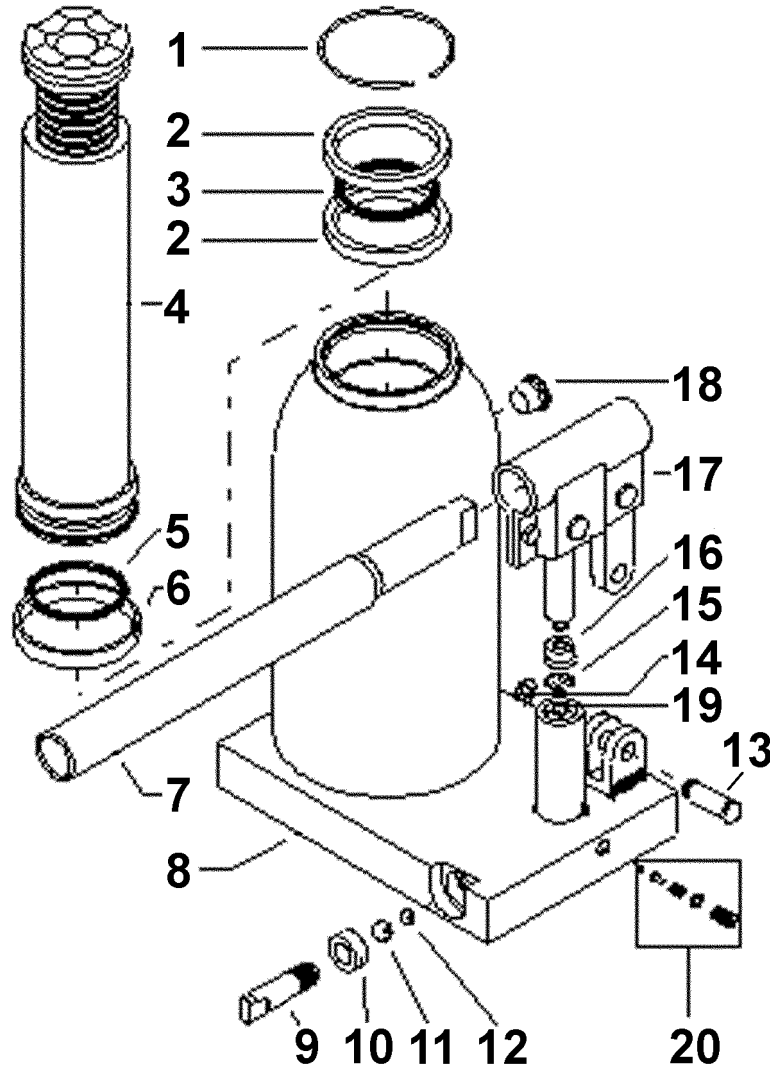


Models: 20HM.V2, 22HM.V2, 25HM.V2, 42HM.V2, 46HM.V2, 54HM



Issue: 1
Date Issued: 301002

ITEM	DESCRIPTION	PART NUMBER BY MODEL					
		20HM.V2	22HM.V2	25HM.V2	42HM.V2	46HM.V2	54HM
1	Ring	MG-10/1361	MG-12/1361	MG-15/1361	MG-20/1361	MG-30/1361	MG-30/1361
2	Ring	MG-10/1102	MG-12/1102	MG-15/1102	MG-20/1102	MG-30/1102	MG-30/1102
3	O-ring	MG-10/1131	MG-12/1131	MG-15/1131	MG-20/1131	MG-30/1131	MG-30/1131
4	Main Piston	MG-10/C14	MG-12/C14	MG-15/C14	MG-20/C14	MG-30/C14	MG-30/C14
5	O-ring	MG-10/1134	MG-12/1134	MG-15/1134	MG-20/1134	MG-30/1134	MG-30/1134
6	Ring	MG-10/1164	MG-12/1164	MG-15/1164	MG-20/1164	MG-30/1164	MG-30/1164
7	Handle	MG-5/C21	MG-5/C21	MG-5/C21	MG-5/C21	MG-5/C21	MG-5/C21
8	Hydraulic Unit	MG-10/C25	MG-12/C25	MG-15/C25	MG-20/C25	MG-30/C25	MG-30/C25
9	Release	MG-2/1125	MG-2/1125	MG-2/1125	MG-2/1125	MG-2/1125	MG-2/1125
10	O-ring	MG-2/1130	MG-2/1130	MG-2/1130	MG-2/1130	MG-2/1130	MG-2/1130
11	Ball	ME-1501/1212	ME-1501/1212	ME-1501/1212	ME-1501/1212	ME-1501/1212	ME-1501/1212
12	Ball	ME-1501/1149	ME-1501/1149	ME-1501/1149	ME-1501/1149	ME-1501/1149	ME-1501/1149
13	Axle	MG-2/1344	MG-2/1344	MG-2/1344	MG-2/1344	MG-2/1344	MG-2/1344
14	Clip	MB-22-A/1286	MB-22-A/1286	MB-22-A/1286	MB-22-A/1286	MB-22-A/1286	MB-22-A/1286
15	Spring	MG-2/1161	MG-2/1161	MG-2/1161	MG-2/1161	MG-2/1161	MG-2/1161
16	Seal	MG-2/1133	MG-2/1133	MG-2/1133	MG-2/1133	MG-2/1133	MG-2/1133
17	Handle Socket	MG-2/C7	MG-2/C7	MG-2/C7	MG-2/C7	MG-2/C7	MG-2/C7
18	Filler Plug	ME-12001/1139	ME-12001/1139	ME-12001/1139	ME-12001/1139	ME-12001/1139	ME-12001/1139
19	Ball	ME-1501/1149	ME-1501/1149	ME-1501/1149	ME-1501/1149	ME-1501/1149	ME-1501/1149
20	Safety Valve	MG-2/C9	MG-2/C9	MG-2/C9	MG-2/C9	MG-2/C9	MG-2/C9
21	Repair Kit	RMG-10	RMG-12	RMG-15	RMG-20	RMG-30	RMG-30