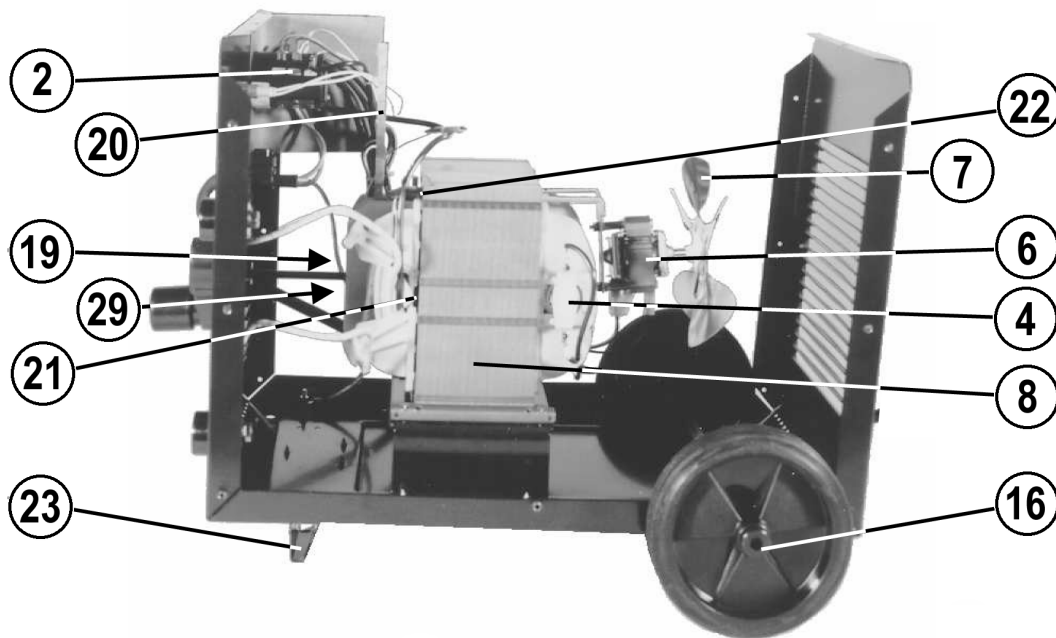
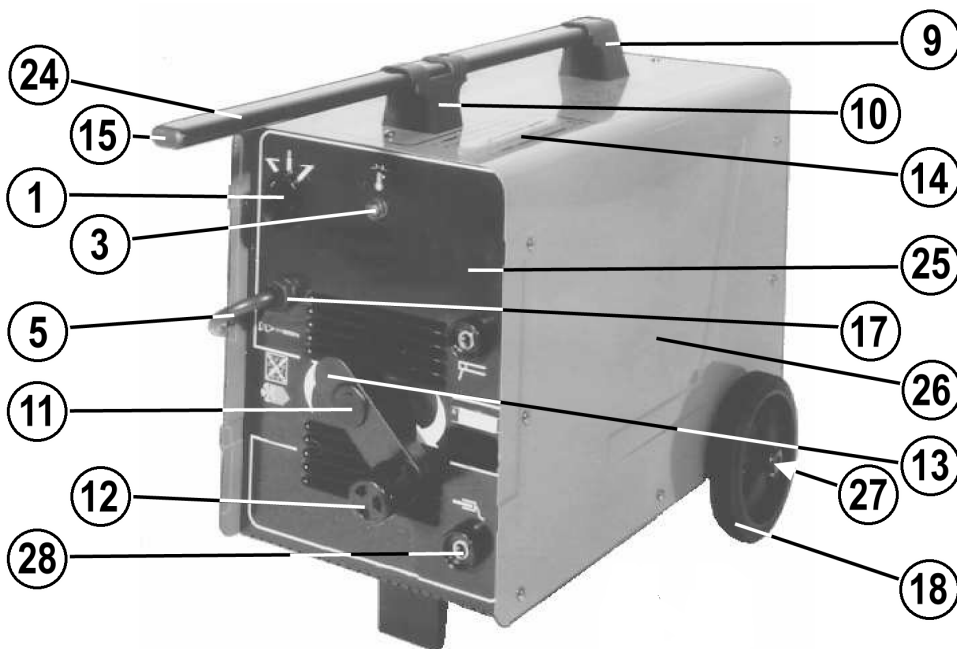


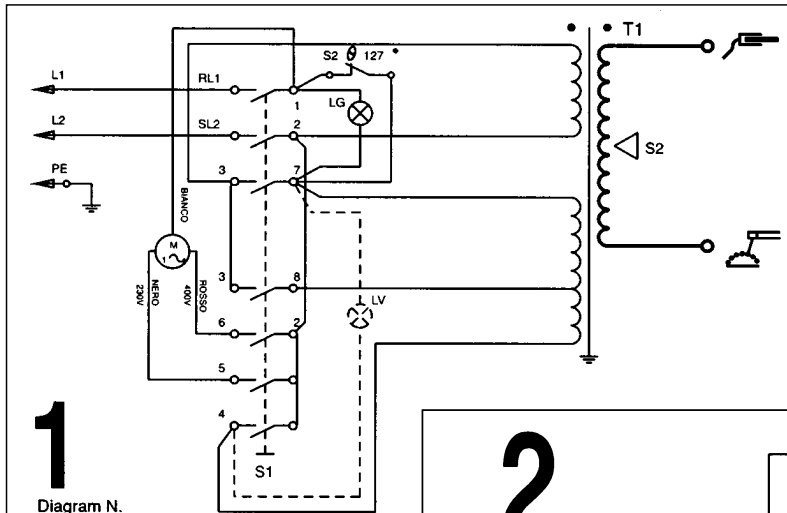
## PARTS LIST FOR ARC WELDER 250XT

Issue Date: 12/06/01  
Version No: 1  
Revision Date: N/A



Item	Part No	Description	Item	Part No	Description
1	120/122058	KNOB FOR SWITCH	18	120/322198	FIXED WHEEL
2	120/122632	SWITCH (SCH 0306/7241)	19	120/422502	YOKE
3	120/122529	LAMP, YELLOW	20	120/422512	REGULATION INDICATOR
4	120/122901	THERMOSTAT	21	120/452092	SPRING
5	120/132267	MAINS CABLE 3G02.50 2.50 M	22	120/452085	ANTI VIBRATION SPRING
6	120/152053	MOTOR	23	120/644402	FOOT
7	120/152111	FANBLADE	24	120/644712	HANDLE
8	120/164028	TRANSFORMER	25	120/648802	FRONT PANEL
9	120/312015	REAR HANDLE SUPPORT	26	120/655873	COVER
10	120/312016	FRONT HANDLE SUPPORT	27	120/681082	AXLE
11	120/312199	COVER	28	120/712035	DINSE SOCKET
12	120/312200	KNOB FOR HANDWHEEL	29	120/990417	SHUNT KIT
13	120/313440	COMPLETE HANDWHEEL	30	120/712017	ELECTRODE HOLDER
14	120/322063	TRANSPARENT PLATE	31	120/712231	WORK CLAMP
15	120/322092	PLUG, EXTENSION HANDLE	32	120/713067	CABLE 25 MMQ 3M + E'TRODE HOLDER
16	120/322102	PLUG, WHEEL RETAINER	33	120/713157	CABLE 25 MMQ 2.0M + WORK CLAMP
17	120/322112	CABLE BUSHING			

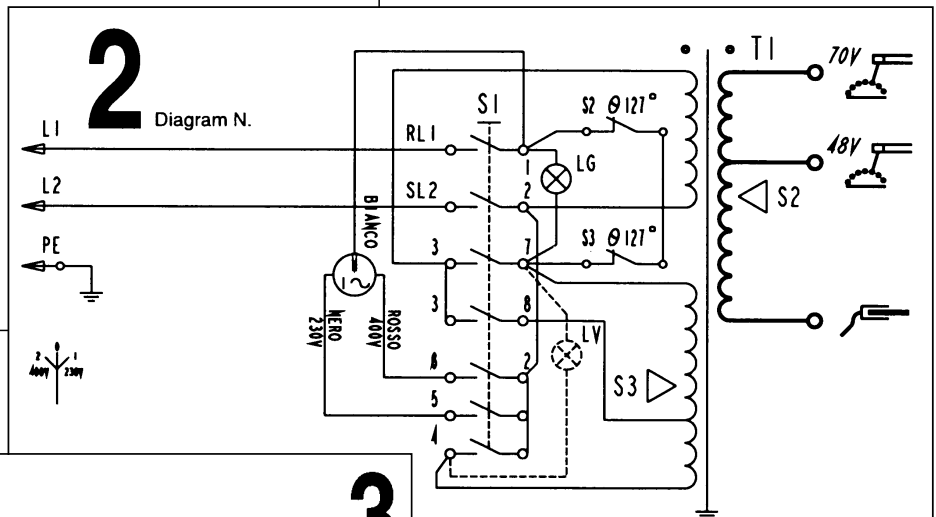
To find the electrical diagram which corresponds to your model, check the last number "/X" of the serial number (N.0000/X) printed on the front panel.



**1**

Diagram N.

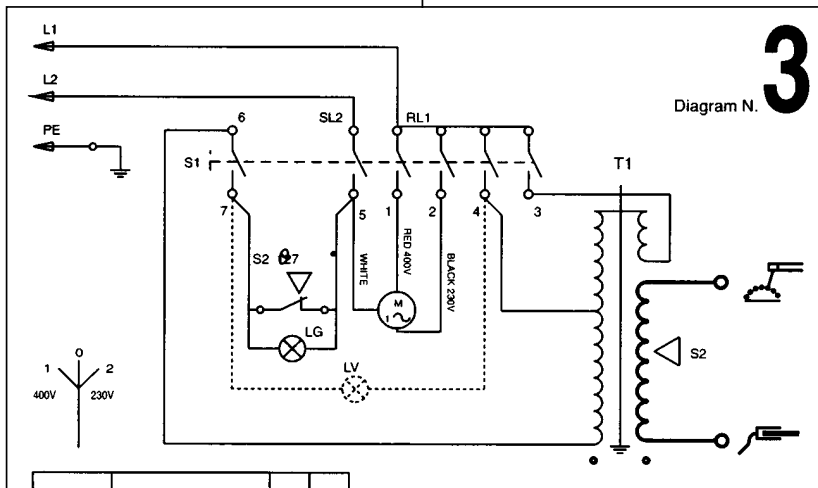
	RL1	SL2	4	5	6	7	8
DX 230V	X	X	X	X		X	
SX 400V	X	X			X		X
	1	2	3				



**2**

Diagram N.

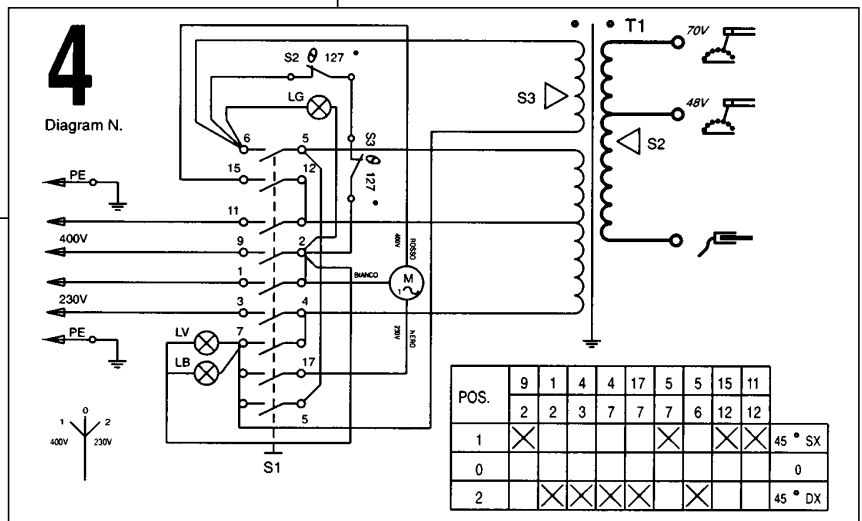
POS.	1	2	3	
1	X	X	X	45° DX
0				0
2	X	X	X	45° SX



**3**

Diagram N.

POS.	RL1			SL2			7
	1	2	3	4	5	6	
2		X		X	X	X	45° DX
0							0
1	X		X		X	X	45° SX



**4**

Diagram N.

POS.	9	1	4	17	5	5	15	11
1	X				X	X	X	45° SX
0								0
2	X	X	X	X	X	X	X	45° DX