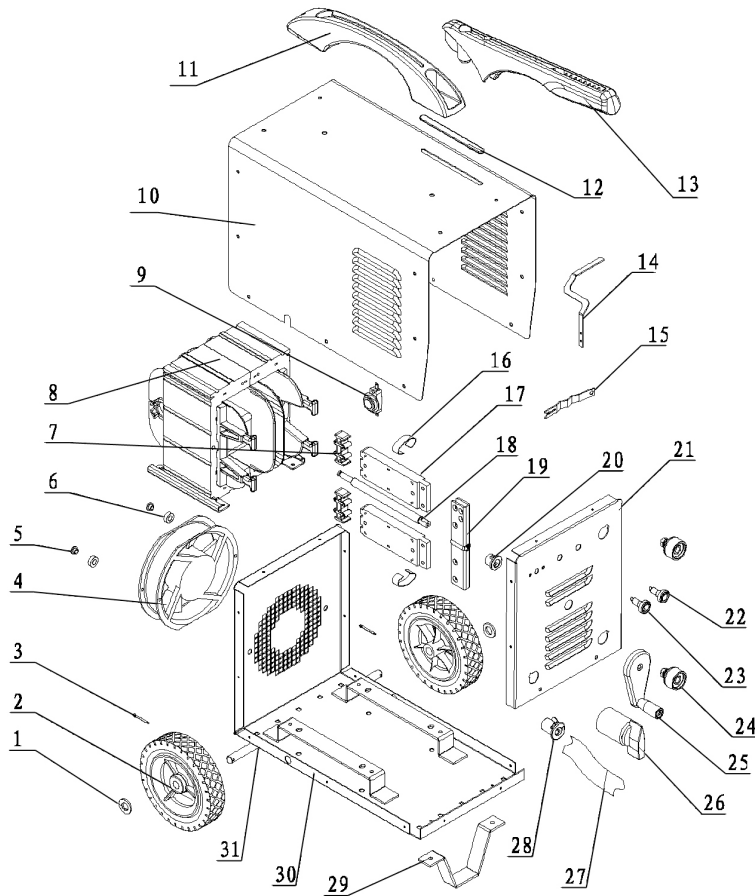


Parts Information: Arc Welder 250Amp 230/415V 3ph with Accessory Kit Model No: 250XTD



Item	Part No.	Description
1	250XTD.01	WASHER
2	SMIG230.32	WHEEL, FIXED (151x12x36)
3	250XTD.03	PIN
4	250XTD.04	FAN
5	250XTD.05	NYLON BUSH
6	250XTD.06	NYLON COVER
7	250XTD.07	SHUNT SUPPORT
8	250XTD.08	TRANSFORMER
9	250XTD.09	THERMAL RELAY
10	250XTD.10	TOP COVER
11	250XTD.11	HANDLE
12	250XTD.12	TRANSPARENT PLATE
13	250XTD.13	HANDLE EXTENSION
14	250XTD.14	INDICATOR
15	250XTD.15	LEAD SCREW SPRING
16	250XTD.16	SPRING CLIP
17	250XTD.17	SHUNT
18	250XTD.18	LEAD SCREW

Item	Part No.	Description
19	250XTD.19	SHUNT SUPPORT UPRIGHT
20	250XTD.20	LEAD SCREW COVER
21	250XTD.21	FRONT PANEL
22	250XTD.22	INDICATOR LIGHT (YELLOW)
23	250XTD.23	INDICATOR LIGHT (GREEN)
24	250XTD.24	DINSE SOCKET
25	250XTD.25	CRANK (SO)
26	250XTD.26	VOLTAGE SWITCH
27	MC4CX2.5	MAINS CABLE BLK, 4 CORE, 2.5MM ²
28	250XTD.28	CABLE HOLDER
29	250XTD.29	FOOT
30	250XTD.30	BOTTOM CASE
31	250XTD.31	WHEEL AXLE
--	250XTD.ACC1	ELECTRODE HOLDER (NOT SHOWN)
--	250XTD.ACC2	EARTH CLAMP (NOT SHOWN)
--	250XTD.ACC3	ELECTRODE HOLDER WITH CABLE (NOT SHOWN)
--	250XTD.ACC4	EARTH CLAMP WITH CABLE (NOT SHOWN)

NOTE: It is our policy to continually improve products and as such we reserve the right to alter data, specifications and component parts without prior notice.

IMPORTANT: No liability is accepted for incorrect use of product.

WARRANTY: Guarantee is 12 months from purchase date, proof of which will be required for any claim.