

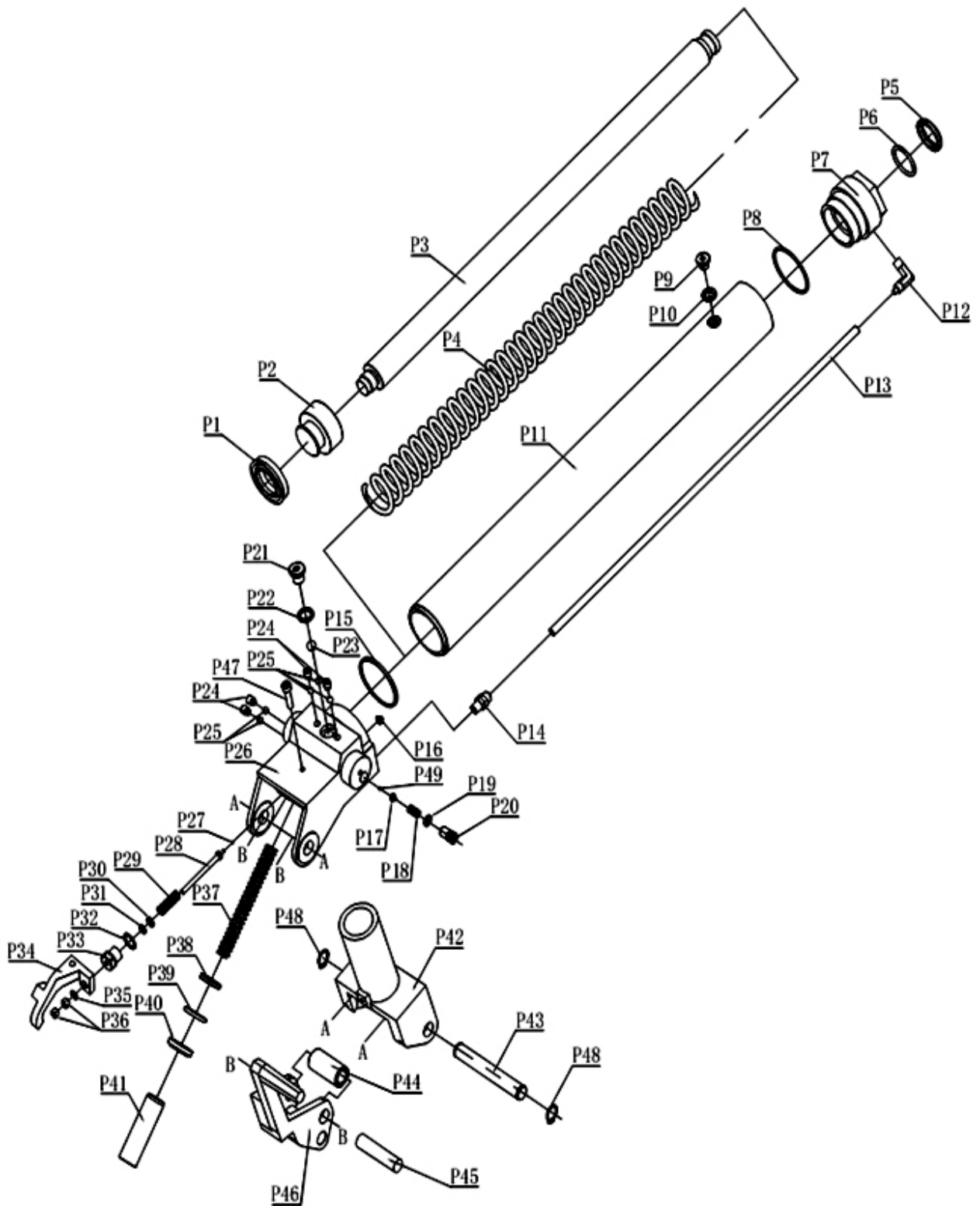
Item	Part No.	Description
1	2200HL.V2-01	HANDLE GRIP
2	2200HL.V2-02	HANDLE
3	2200HL.V2-03	DUST CAP
4	SCB620.SB	SOCKET HEAD CAP SCREW M6x20 BLACK
5	SN18.S	STEEL NUT M18 ZINC DIN934(SINGLE)
6	SWM18.S	SPRING WASHER M18 ZINC (SINGLE)
7	FWM18.S	FLAT WASHER M18 SINGLE
8	2200HL.V2-08	WHEEL,CASTOR (75x10x30x100)
9	SCB810.SB	SOCKET HEAD CAP SCREW M8x10 BLACK
10	SCB612.SB	SOCKET HEAD CAP SCREW M6x12 BLACK

Item	Part No.	Description
11	2200HL.V2-11	RETAINING RING
12	2200HL.V2-12	LIFTING FRAME ASSMEBLY
13	2200HL.V2-13	RETAINING RING
14	2200HL.V2-14	WHEEL, FIXED (75x20x43)
15	2200HL.V2-15	BASE FRAME ASSEMBLY
16	2200HL.V2-16	SADDLE HOLDER
17	BHSS625.SB	BUTTON HEAD SOCKET SCREW M6x25 BLACK
18	2200HL.V2-18	HYDRAULIC UNIT
19	2200HL.V2-19	LINK ARM
20	2200HL.V2-20	SADDLE ASS'Y

NOTE: It is our policy to continually improve products and as such we reserve the right to alter data, specifications and component parts without prior notice.

IMPORTANT: No liability is accepted for incorrect use of product.

WARRANTY: Guarantee is 12 months from purchase date, proof of which will be required for any claim.



NOTE: It is our policy to continually improve products and as such we reserve the right to alter data, specifications and component parts without prior notice.

IMPORTANT: No liability is accepted for incorrect use of product.

WARRANTY: Guarantee is 12 months from purchase date, proof of which will be required for any claim.



Parts Information:
Trolley Jack 2tonne High Lift Low Entry
Model No: 2200HL.V2

P01	2200HL.V2-P01	U-RING
P02	2200HL.V2-P02	PISTON
P03	2200HL.V2-P03	PISTON ROD
P04	2200HL.V2-P04	SPRING
P05	2200HL.V2-P05	DUST RING
P06	2200HL.V2-P06	O-RING
P07	2200HL.V2-P07	RAM COVER
P08	2200HL.V2-P08	O-RING
P09	2200HL.V2-P09	SCREW
P10	2200HL.V2-P10	SEAL WASHER BLACK M10
P11	2200HL.V2-P11	CYLINDER
P12	2200HL.V2-P12	JOINT
P13	2200HL.V2-P13	PU HOSE
P14	2200HL.V2-P14	JOINT
P15	2200HL.V2-P15	NYLON RING
P16	2200HL.V2-P16	FILTER
P17	2200HL.V2-P17	STEEL BALL SEAT
P18	2200HL.V2-P18	SPRING
P19	2200HL.V2-P19	O-RING
P20	2200HL.V2-P20	VALVE SEAT
P21	2200HL.V2-P21	SCREW
P22	2200HL.V2-P22	SEAL WASHER M12
P23	SB-9.5	STEEL BALL 9.5mm
P24	2200HL.V2-P24	SCREW
P25	SB-6.6	STEEL BALL 6.6mm
P26	2200HL.V2-P26	PUMP BODY

Item	Part No.	Description
P27	SB-2.5	STEEL BALL 2.5mm
P28	2200HL.V2-P28	UNLOADER VALVE ROD
P29	2200HL.V2-P29	SPRING
P30	2200HL.V2-P30	SPACER
P31	2200HL.V2-P31	O-RING
P32	2200HL.V2-P32	COPPER WASHER M14
P33	2200HL.V2-P33	VALVE SEAT
P34	2200HL.V2-P34	UNLOADER PLATE
P35	FWM5.S	FLAT WASHER M5 SINGLE
P36	SN5.S	STEEL NUT M5 ZINC DIN934 (SINGLE)
P37	2200HL.V2-P37	SPRING
P38	2200HL.V2-P38	U-CUP SEAL 22*30*5
P39	2200HL.V2-P39	O-RING
P40	2200HL.V2-P40	DUST RING
P41	2200HL.V2-P41	PUMP PISTON
P42	2200HL.V2-P42	HANDLE SOCKET
P43	2200HL.V2-P43	PIN, HANDLE SOCKET
P44	2200HL.V2-P44	SPACER, HANDLE SOCKET
P45	2200HL.V2-P45	PIN, PEDAL
P46	2200HL.V2-P46	PEDAL
P47	SCB620.SB	SOCKET HEAD CAP SCREW M6x20 BLACK
P48	2200HL.V2-P48	RETAINING RING
P49	SB-3.0	STEEL BALL 3.0mm
--	2200HL.V2-RK	REPAIR KIT (NOT SHOWN)

NOTE: It is our policy to continually improve products and as such we reserve the right to alter data, specifications and component parts without prior notice.

IMPORTANT: No liability is accepted for incorrect use of product.

WARRANTY: Guarantee is 12 months from purchase date, proof of which will be required for any claim.

Sealey Group, Kempson Way, Suffolk Business Park, Bury St Edmunds, Suffolk. IP32 7AR



01284 757500



01284 703534



sales@sealey.co.uk



www.sealey.co.uk