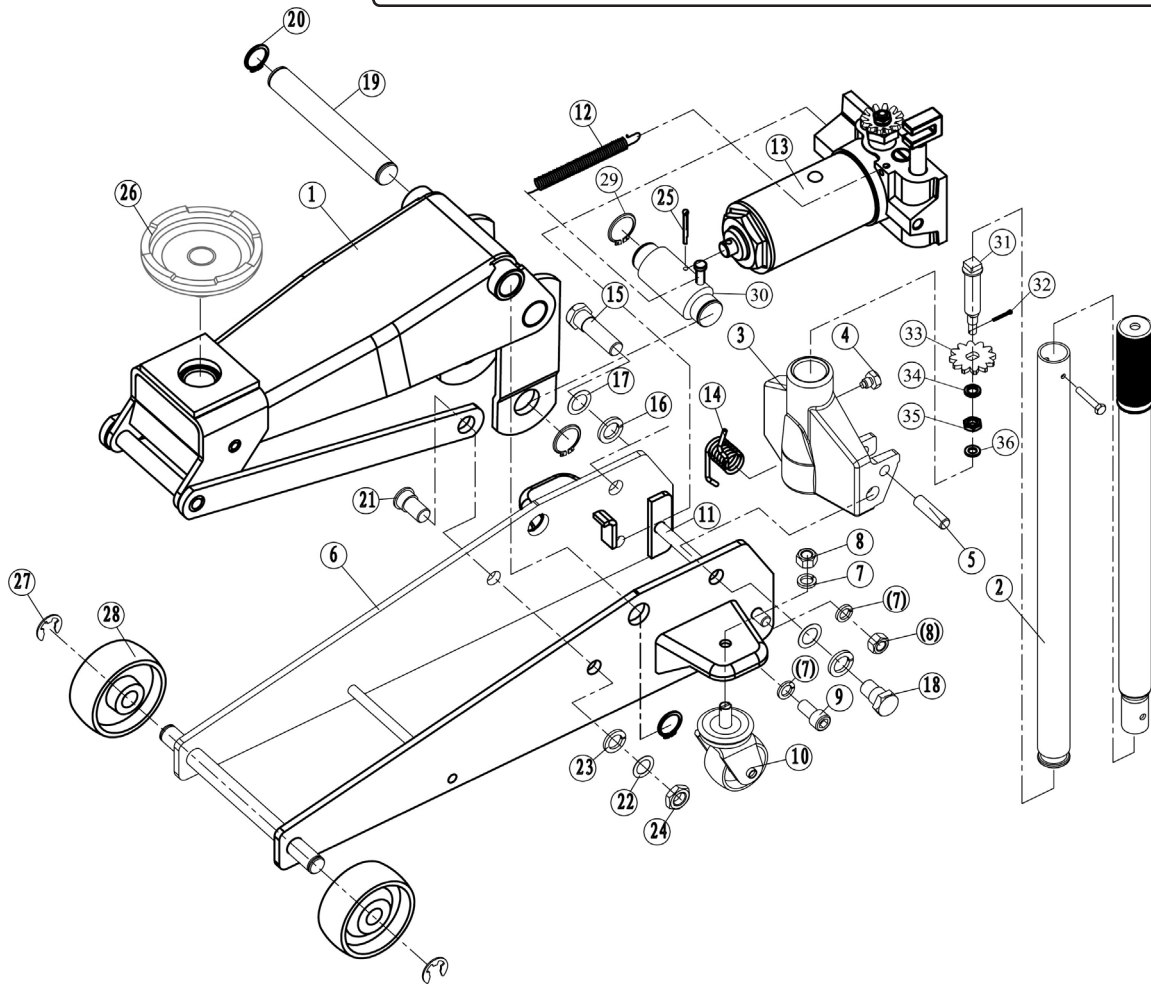


Parts Information:
Trolley Jack Yankee 2.25tonne Standard Chassis
Model No: 2050CX.V2



Item	Part No.	Description
1	2050CX.V2-01	Lift Arm Assembly
2	2050CX.V2-02	Handle Assembly
3	2050CX.V2-03	Handle Socket
4	2050CX.V2-04	Handle Socket Screw
5	2050CX.V2-05	Handle Socket Pin
6	2050CX.V2-06	Frame Assembly
7	YK509FAH.06	Flat Washer m12
8	SN12.S	Steel Nut m12 Zinc din934(Single)
9	SCB1225.SB	Socket Head Cap Screw m12x25 Black
10	3010CX.36	Wheel,Castor (W/Bracket)(60x8x25x86)
11	2050CX.V2-11	Supporting Shaft
12	2050CX.V2-12	Return Spring
13	2050CX.V2-13	Hydraulic Unit Assembly
14	2050CX.V2-14	Torsion Spring
15	2050CX.V2-15	Bolt m18x59
16	SWM18.SB	Spring Washer m18 Black(Single)
17	2050CX.V2-17	Pin Washer
18	2050CX.V2-18	Bolt m18x28

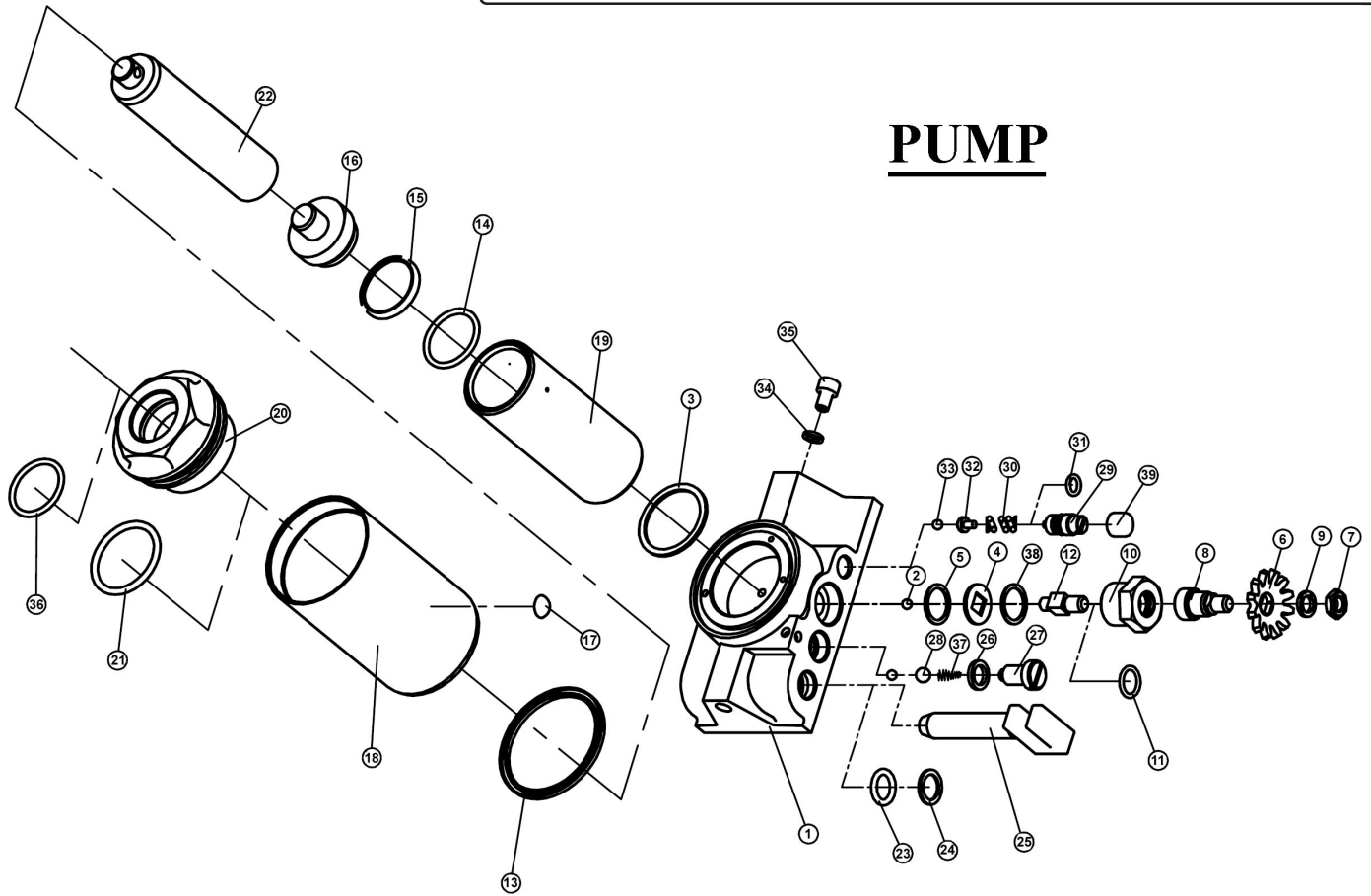
Item	Part No.	Description
19	2050CX.V2-19	Supporting Shaft
20	2050CX.V2-20	Washer m25
21	2050CX.V2-21	Linking Bolt
22	2050CX.V2-22	Washer For Linking Bolt
23	SWM16.SB	Spring Washer m16 Black(Single)
24	SN16.S	Steel Nut m16 Zinc din934(Single)
25	2050CX.V2-25	Pin
26	2050CX.V2-26	Saddle Assembly
27	2050CX.V2-27	Retaining Ring
28	2050CX.V2-28	Wheel,Front Fixed (90x19x36)
29	2050CX.V2-29	Retaining Ring
30	2050CX.V2-30	Jointed Block
31	2050CX.V2-31	Axle
32	2050CX.V2-32	Pin
33	2050CX.V2-33	Gear
34	FWM8.S	Flat Washer m8 Single
35	SN10.S	Steel Nut m10 Zinc din934(Single)
36	SWM10.SB	Spring Washer m10 Black(Single)

NOTE: It is our policy to continually improve products and as such we reserve the right to alter data, specifications and component parts without prior notice.

IMPORTANT: No liability is accepted for incorrect use of product.

WARRANTY: Guarantee is 12 months from purchase date, proof of which will be required for any claim.

PUMP



Item	Part No.	Description
1	2050CX.V2-P01	Base Plate
2	RJA1500.01-02	Steel Ball 15/64"
3	2050CX.V2-P03	Rectangle Ring
4	2050CX.V2-P04	Square Centre Draw Washer
5	2050CX.V2-P05	Seal Ring
6	2050CX.V2-P06	Gear
7	2500LE.P07	M10 Half Nut bzp
8	2050CX.V2-P08	Release Valve Linking Shaft
9	SWM10.SB	Spring Washer m10 Black(Single)
10	2050CX.V2-P10	Release Valve Nut
11	2050CX.V2-P11	O-Ring
12	2050CX.V2-P12	Release Valve Core
13	2050CX.V2-P13	White Nylon Ring Washer
14	2050CX.V2-P14	O-Ring
15	2050CX.V2-P15	Plastic Ring
16	2050CX.V2-P16	Piston Ass'y
17	2050CX.V2-P17	Oil Filler Plug
18	2050CX.V2-P18	Reservoir
19	2050CX.V2-P19	Cylinder
20	2050CX.V2-P20	Cap

Item	Part No.	Description
21	2050CX.V2-P21	O-Ring
22	2050CX.V2-P16	Piston Ass'y
23	2050CX.V2-P23	O-Ring
24	2050CX.V2-P24	Retaining Ring
25	2050CX.V2-P25	Piston
26	2050CX.V2-P26	Rectangle Ring
27	2050CX.V2-P27	Oil Plug
28	SB-9.0	Steel Ball 9.0mm
29	2050CX.V2-P29	Overload Valve Nut
30	2050CX.V2-P30	Safety Valve Spring
31	2050CX.V2-P31	O-Ring
32	2050CX.V2-P32	Spring Plunger
33	SB-2.9	Steel Ball 2.9mm
34	2050CX.V2-P34	Rectangle Ring
35	SCB812.SB	Socket Head Cap Screw m8x12 Black
36	2050CX.V2-P36	O-Ring
37	2050CX.V2-P37	Taper Spring
38	2050CX.V2-P38	Seal Ring
39	2050CX.V2-P39	Safety Valve
--	2050CX.V2-P40	Filter Net (NOT SHOWN)

NOTE: It is our policy to continually improve products and as such we reserve the right to alter data, specifications and component parts without prior notice.

IMPORTANT: No liability is accepted for incorrect use of product.

WARRANTY: Guarantee is 12 months from purchase date, proof of which will be required for any claim.