

Item	Part No.	Description
1	100/0202800	Screw
2	SN6.S	Steel Nut m6 Zinc din934 (Single)
4	100/02204	Circlip
5	100/02224	Circlip
6	100/0226100	Steel Bearing Race
7	100/02307	Screw
8	100/02328	Bolt
9	100/02346	Screw
10	100/3600300	Wheel Fork
12	100/3600600	Saddle
13	100/3600700	Wheel,Fixed (82x18x42)

Item	Part No.	Description
14	100/3600800	Wheel,Fixed (83x15x25)
15	100/3600900	Plastic Cover
16	100/3601000	Lever Tube
17	100/3601100	Handle
18	100/3601200	Axle
20	100/3605100	Base Frame
21	100/3605200	Lifting Frame
22	100/3602300	Steering Rod
23	100/9107500	Pump Complete
--	FWM12.S	Flat Washer m12 Single (NOT SHOWN)

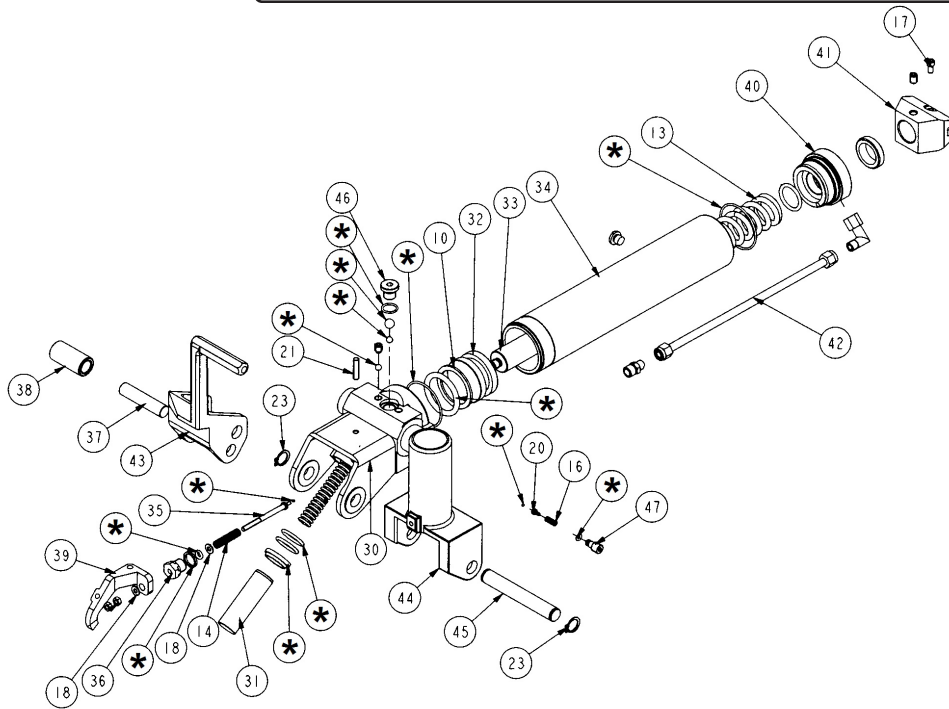
NOTE: It is our policy to continually improve products and as such we reserve the right to alter data, specifications and component parts without prior notice.

IMPORTANT: No liability is accepted for incorrect use of product.

WARRANTY: Guarantee is 12 months from purchase date, proof of which will be required for any claim.



Parts Information:
**Trolley Jack Premier Viking 2tonne High
 Lift Low Entry
 Model No: 2001HL**



Item	Part No.	Description
*	100/0103800	O-Ring
*	100/0103900	O-Ring
*	100/0105100	O-Ring
*	100/0108900	O-Ring
*	100/0123900	O-Ring
*	100/0125400	Scraper Ring
*	100/0130600	O-Ring
10	100/0130800	Back Up Ring
13	100/0209800	Spring
14	100/0205400	Spring
16	100/0207800	Spring
17	100/0208500	Screw
18	100/0210800	Washer
*	100/0213200	Copper Washer m14
20	100/0215500	Screw
21	100/0215600	Stop Screw
*	SB-3.0	Steel Ball 3.0mm
23	100/02224	Circlip
*	SB-6.4	Steel Ball 6.4mm
*	100/02294	Release Ball
30	100/9105100	Pump Body
31	100/9105200	Pump Piston
32	100/9105300	Piston
33	100/9107300	Piston Rod

Item	Part No.	Description
34	100/9107200	Cylinder Tube
35	100/9105600	Release Spindle
36	100/9105700	Release Guide
37	100/9106000	Rolling Axle
38	100/9106100	Roll
39	100/9106300	Release Bracket
40	100/9107100	Nut
41	100/9106500	Adaptor
42	100/9107600	Oil Hose
43	100/9106700	Pedal
44	100/9106800	Tipping Gear
45	100/9106900	Axle, Tipping Gear
46	100/9107700	Plug
47	100/9500502	Adjusting Screw
--	100/0906000	Repair Kit (Items Marked * Included)
--	SN5.S	Steel Nut m5 Zinc din934 (Single) (NOT SHOWN)
--	GSM810.S	Grub Screw m8x10 (Single) (NOT SHOWN)
--	100/0268500	Spring (NOT SHOWN)
--	100/02313	Counter Screw (NOT SHOWN)
--	100/02417	Elbow Gland (NOT SHOWN)
--	100/02448	Oil Filling Plug (NOT SHOWN)
--	100/0249500	Gland (NOT SHOWN)
--	100/01049	O Ring (NOT SHOWN)
--	100/01261	Scraper Ring (NOT SHOWN)

NOTE: It is our policy to continually improve products and as such we reserve the right to alter data, specifications and component parts without prior notice.

IMPORTANT: No liability is accepted for incorrect use of product.

WARRANTY: Guarantee is 12 months from purchase date, proof of which will be required for any claim.

Sealey Group, Kempson Way, Suffolk Business Park, Bury St Edmunds, Suffolk. IP32 7AR



01284 757500



01284 703534



sales@sealey.co.uk



www.sealey.co.uk