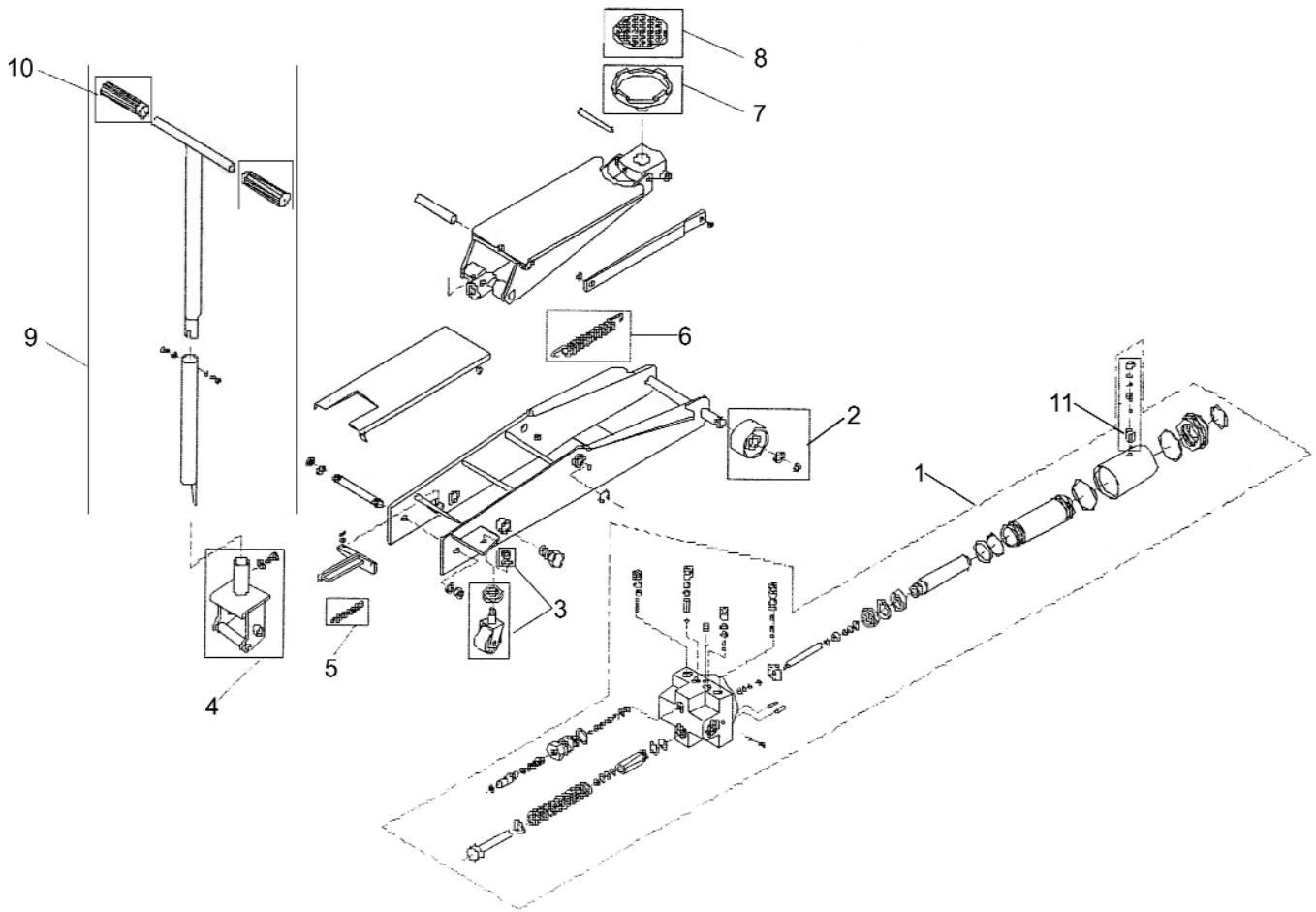


Parts Information:
**Trolley Jack Premier 2tonne Long Reach
 Rocket Lift
 Model No: 2000LQ**



Item	Part No.	Description
1	2000LQ-01	Hydraulic power unit
2	2000LQ-02	Front wheel assy 96x36x18
3	2000LQ-03	Rear castor assy 56x30x14
4	2000LQ-04	Handle fork
5	2000LQ-05	Spring set
6	2000LQ-06	Extension spring
7	2000LQ-07	Saddle

Item	Part No.	Description
8	2000LQ-08	Rubber pad
9	2000LQ-09	Handle assy
10	2000LQ-10	Handle grip
11	2000LQ-11	Air vent valve
--	2000LQ-14	Repair kit (NOT SHOWN)
--	2000LQ-15	Side support arm (NOT SHOWN)
--	SSP223	Safety Rubber Jack Pad for 3003CXQ (NOT SHOWN)

NOTE: It is our policy to continually improve products and as such we reserve the right to alter data, specifications and component parts without prior notice.

IMPORTANT: No liability is accepted for incorrect use of product.

WARRANTY: Guarantee is 12 months from purchase date, proof of which will be required for any claim.