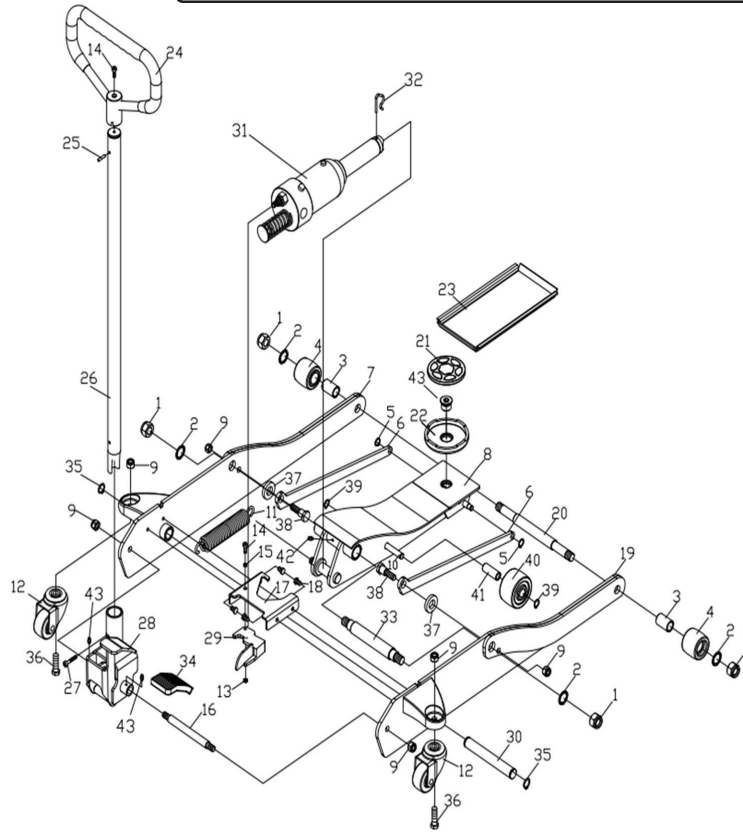


Parts Information: Trolley Jack 2tonne European Style Low Entry Model No: 2000ESLE



Item	Part No.	Description
1	2000ESLE.01	NUT
2	2000ESLE.02	SPRING WASHER
3	2000ESLE.03	WHEEL SPACER
4	2000ESLE.04	WHEEL,FRONT FIXED (56x24x46)
5	2000ESLE.05	RETAINING RING
6	2000ESLE.06	ADJUSTMENT PLATE
7	2000ESLE.07	SIDE PLATE, LEFT
8	2000ESLE.08	LIFTING ARM
9	2000ESLE.09	RETAINING NUT
10	2000ESLE.10	AXIS
11	2000ESLE.11	RETURN SPRING
12	2000ESLE.12	WHEEL,CASTOR (NYLON)(58x8x32x92)
13	2000ESLE.13	RETAINING NUT
14	2000ESLE.14	HEX SCREW
15	2000ESLE.15	WASHER
16	2000ESLE.16	MOUNT SADDLE PIN
17	2000ESLE.17	SUPPORT PLATE
18	2000ESLE.18	BOLT
19	2000ESLE.19	SIDE PLATE, RIGHT
20	2000ESLE.20	WHEEL AXLE
21	2000ESLE.21	RUBBER SADDLE
22	2000ESLE.22	SADDLE

Item	Part No.	Description
23	2000ESLE.23	TOOL TRAY
24	2000ESLE.24	HANDLE
25	2000ESLE.25	HANDLE PIN
26	2000ESLE.26	HANDLE SHAFT
27	SCB635.SB	SOCKET HEAD CAP SCREW M6x35 BLACK
28	2000ESLE.28	SADDLE CARRIER
29	2000ESLE.29	RELEASE PEDAL
30	2000ESLE.30	PUMP AXLE
31	2000ESLE.31	PUMP ASS'Y
32	2000ESLE.32	SPRING PIN
33	2000ESLE.33	LIFTING AXLE
34	2000ESLE.34	RELEASE PEDAL PAD
35	2000ESLE.35	RETAINING RING
36	SS1240.S	HEX HEAD SET SCREW M12x40mm SINGLE
37	2000ESLE.37	LIMIT WASHER M16
38	2000ESLE.38	ADJUSTMENT SCREW
39	2000ESLE.39	RETAINING RING
40	2000ESLE.40	WHEEL,INNER FIXED (75x17x44)
41	2000ESLE.41	BUSH
42	GNM19S	GREASE NIPPLE STR 6 x 1.00mm SINGLE
43	2000ESLE.43	BOLT

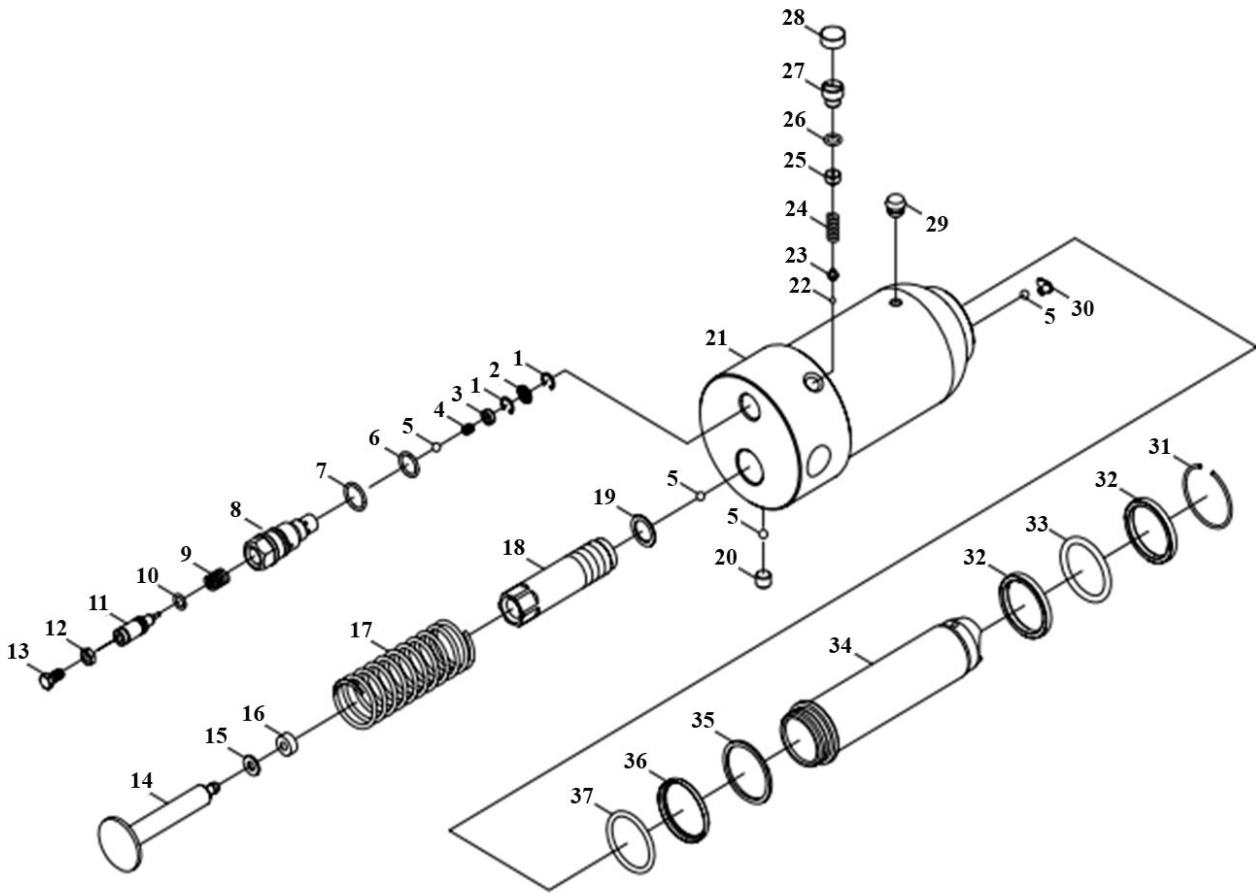
NOTE: It is our policy to continually improve products and as such we reserve the right to alter data, specifications and component parts without prior notice.

IMPORTANT: No liability is accepted for incorrect use of product.

WARRANTY: Guarantee is 12 months from purchase date, proof of which will be required for any claim.



Parts Information:
Trolley Jack 2tonne European Style Low Entry
Model No: 2000ESLE



Item	Part No.	Description
1	2000ESLE.P01	RETAINING RING
2	2000ESLE.P02	FILTER NET
3	2000ESLE.P03	RETAINING VALVE CORE
4	2000ESLE.P04	RETAINING SPRING
5	2000ESLE.P05	STEEL BALL
6	2000ESLE.P06	O-RING
7	2000ESLE.P07	O-RING
8	2000ESLE.P08	RELEASE VALVE BASE
9	2000ESLE.P09	RELEASE SPRING
10	2000ESLE.P10	O-RING
11	2000ESLE.P11	RELEASE VALVE CORE
12	2000ESLE.P12	HEX NUT
13	2000ESLE.P13	HEX BOLT
14	2000ESLE.P14	PUMP CORE
15	2000ESLE.P15	WASHER
16	2000ESLE.P16	U-CUP SEAL 6*14*6
17	2000ESLE.P17	SPRING
18	2000ESLE.P18	PUMP CORE BASE
19	2000ESLE.P19	WASHER

Item	Part No.	Description
20	2000ESLE.P20	SCREW
21	2000ESLE.P21	PUMP
22	2000ESLE.P22	STEEL BALL
23	2000ESLE.P23	BALL SEAT
24	2000ESLE.P24	ADJUSTING SPRING
25	2000ESLE.P25	ADJUSTING SCREW
26	2000ESLE.P26	O-RING
27	2000ESLE.P27	ADJUSTING PLUG SCREW
28	2000ESLE.P28	TOP CAP
29	2000ESLE.P29	OIL PLUG
30	2000ESLE.P30	ELASTIC COLLAR
31	2000ESLE.P31	RETAINING RING
32	2000ESLE.P32	LIMIT COLLAR
33	2000ESLE.P33	O-RING
34	2000ESLE.P34	PISTON
35	2000ESLE.P35	NYLON RING
36	2000ESLE.P36	BOWL GASKET
37	2000ESLE.P37	O-RING

NOTE: It is our policy to continually improve products and as such we reserve the right to alter data, specifications and component parts without prior notice.

IMPORTANT: No liability is accepted for incorrect use of product.

WARRANTY: Guarantee is 12 months from purchase date, proof of which will be required for any claim.

Sealey Group, Kempson Way, Suffolk Business Park, Bury St Edmunds, Suffolk. IP32 7AR



01284 757500



01284 703534



sales@sealey.co.uk



www.sealey.co.uk