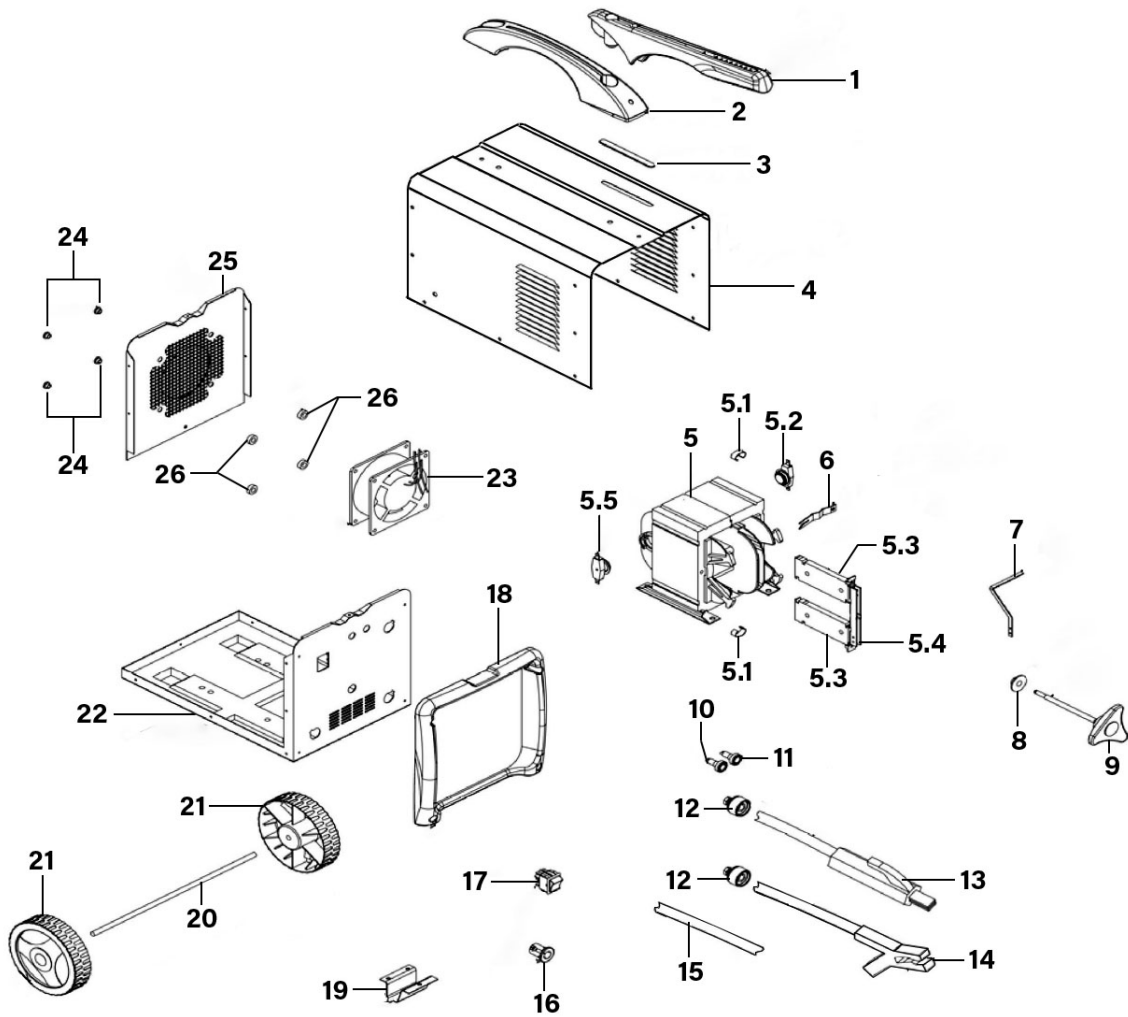


Parts Information: Arc Welder 180A with Accessory Kit Model No: 180XT.V2



Item	Part No.	Description
1	250XTD.13	Handle Extension
2	250XTD.11	Handle
3	140XT.22	Transparent Plate
4	180XT.14	Top Cover
5	180XT.18	Transformer
5.1	140XT.17	Clip
5.2	180XT.12	Thermal Relay
5.3	180XT.06	Shunt Support Upright
5.4	180XT.09	Shunt
5.5	180XT.V2-5E	Heat Relay
6	140XT.18	Lead Screw Pin
7	180XT.08	Indicator
8	180XT.V2-08	Rubber Ring
9	180XT.07	Regulator Handwheel
10	180XT.05	Indicator Light (Yellow)
11	180XT.V2-11	Indicator Light

Item	Part No.	Description
12	250XTD.24	Dinse Socket
13	180XT.ACC3	Eaelectrode Holder With Cable
14	180XT.ACC4	Earth Clamp With Cable
15	180XT.V2-15	Power Lead
16	250XTD.28	Cable Holder
17	140XT.11	Switch, Rocker(Red) - T125 - 16(4)A / 250V
18	180XT.25	Plastic Frame
19	180XT.V2-19	Bottom Support
20	180XT.23	Wheel Axle: Solid, Circlip Fittings (L:320mm D:8mm)
21	180XT.24	Wheel, Fixed Plastic (D:138 W:32 B:8)
22	180XT.V2-22	Bottom Case
23	180XT.19	Fan
24	250XTD.05	Nylon Bush
25	180XT.21	Back Panel
26	250XTD.06	Nylon Cover

NOTE: It is our policy to continually improve products and as such we reserve the right to alter data, specifications and component parts without prior notice. There may be alternative versions of this product, please contact us should you require this information.

IMPORTANT: No liability is accepted for incorrect use of product. Spare parts must be fitted by a competent person

WARRANTY: Guarantee is 12 months from purchase date, proof of which will be required for any claim.