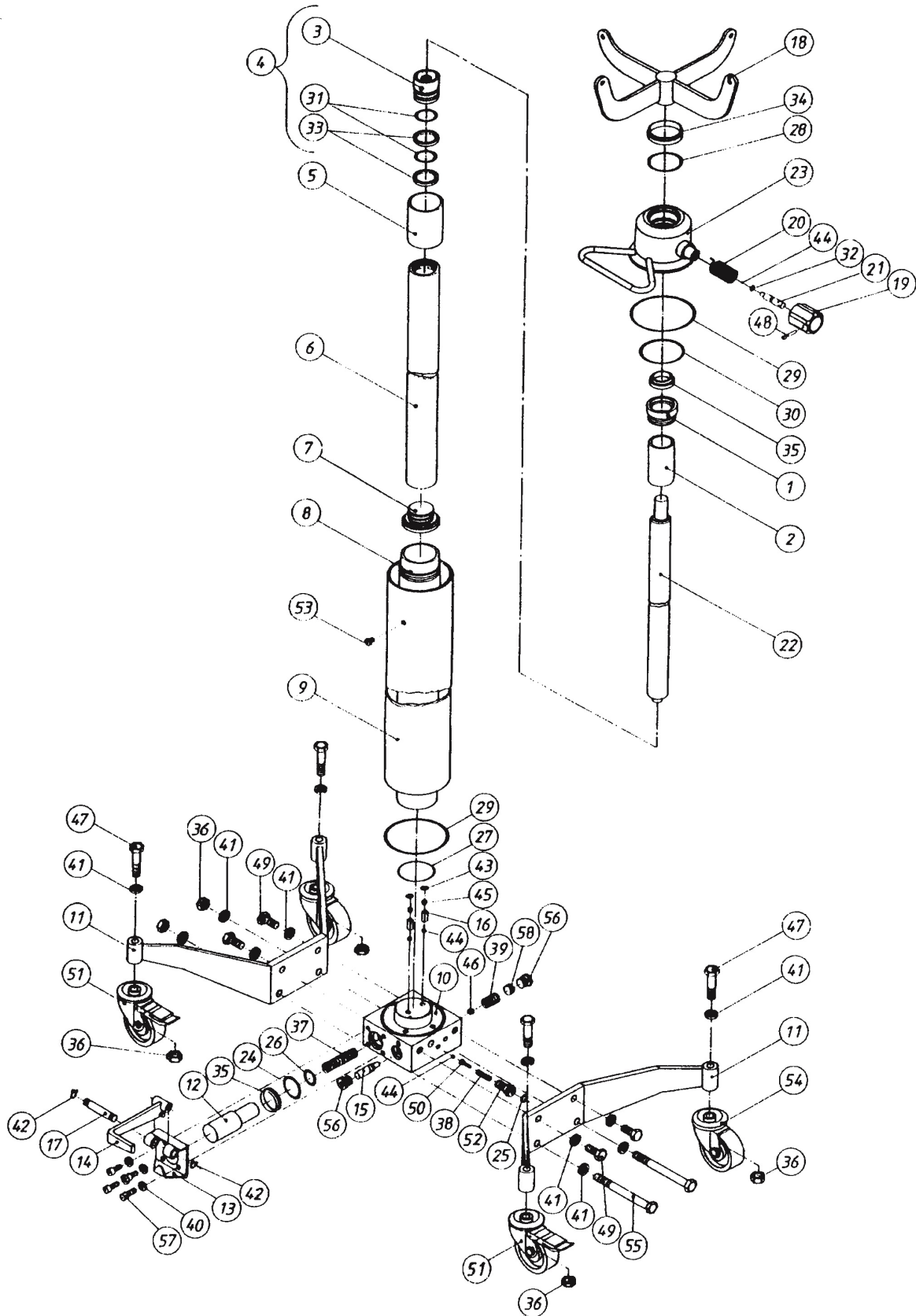


Parts Information:
Transmission Jack Premier Viking
1.25tonne Vertical Telescopic
Model No: 1250GTA



NOTE: It is our policy to continually improve products and as such we reserve the right to alter data, specifications and component parts without prior notice.

IMPORTANT: No liability is accepted for incorrect use of product.

WARRANTY: Guarantee is 12 months from purchase date, proof of which will be required for any claim.



Parts Information:
Transmission Jack Premier Viking
1.25tonne Vertical Telescopic
Model No: 1250GTA

| Item | Part No. | Description |
|------|-------------|------------------------|
| 1 | 100/9065200 | Nut, Cylinder |
| 2 | 100/9065300 | Tube, Middle, Small |
| 3 | 100/9065500 | Piston |
| 4 | 100/9065600 | Piston, Complete |
| 5 | 100/9065700 | Tube, Middle, Large |
| 6 | 100/9065800 | Cylinder, Middle |
| 7 | 100/9065900 | Guide, Middle Cylinder |
| 8 | 100/9066000 | Tube, Cylinder |
| 9 | 100/9066100 | Reservoir |
| 10 | 100/9066200 | Block, Pump |
| 11 | 100/9066300 | Leg |
| 12 | 100/9066400 | Piston, Pump |
| 13 | 100/9066600 | Bracket, Pedal |
| 14 | 100/9066800 | Pedal |
| 15 | 100/9066900 | Piston, Change Over |
| 16 | 100/9067300 | Valve Weight |
| 17 | 100/9055900 | Spike For Pedal |
| 18 | 100/9057100 | Forked Lifting Saddle |
| 19 | 100/9061100 | Release Handle |
| 20 | 100/9062400 | Spring |
| 21 | 100/9062800 | Valve Spindle |
| 22 | 100/9090300 | Piston Rod |
| 23 | 100/9093400 | Cylinder Nut |
| 24 | 100/01025 | O-Ring |
| 25 | 100/01040 | O-Ring |
| 26 | 100/01044 | O-Ring |
| 27 | 100/01050 | O-Ring |
| 28 | 100/01073 | O-Ring |
| 29 | 100/01077 | O-Ring |
| 30 | 100/01078 | O-Ring |
| 31 | 100/01079 | O-Ring |

| Item | Part No. | Description |
|------|-------------|---|
| 32 | 100/0108600 | O-Ring |
| 33 | 100/01189 | Seal, Oil |
| 34 | 100/01268 | Scraper Ring |
| 35 | 100/01271 | Ring, Scraper |
| 36 | SN12.S | Steel Nut m12 Zinc din934(Single) |
| 37 | 100/02037 | Spring |
| 38 | 100/02038 | Spring |
| 39 | 100/02052 | Spring, Change Over Valve |
| 40 | 100/02103 | Spring Washer |
| 41 | FWM12.S | Flat Washer m12 Single |
| 42 | 100/02203 | Circlip |
| 43 | 100/02214 | Circlip |
| 44 | SB-6.4 | Steel Ball 6.4mm |
| 45 | SB-11.0 | Steel Ball 11.0mm |
| 46 | 100/02296 | Ball, 18.0mm |
| 47 | HHB1275.S | Hex Head Bolt m12x75mm Single |
| 48 | SCB530.S | Socket Cap Bolt Zinc m5x30 |
| 49 | 100/02329 | Screw |
| 50 | 100/02340 | Bolt |
| 51 | 100/02362 | Wheel,Castor (W/Brake)(125x9x38x158) |
| 52 | 100/02384 | Adjusting Screw |
| 53 | 100/02448 | Oil Filling Plug |
| 54 | 100/02449 | Wheel,Castor (125x9x38x155) |
| 55 | 100/02479 | Screw |
| 56 | 100/02484 | Plug |
| 57 | 100/02485 | Screw |
| 58 | 100/0253200 | Screw, Adjusting |
| -- | 1250GTA/RK | Repair Kit (0902800) (NOT SHOWN) |
| -- | 100/9059500 | Saddle (Optional) (NOT SHOWN) |
| -- | ADT2 | Adjustable Gearbox Support 750kg Capacity (NOT SHOWN) |

NOTE: It is our policy to continually improve products and as such we reserve the right to alter data, specifications and component parts without prior notice.

IMPORTANT: No liability is accepted for incorrect use of product.

WARRANTY: Guarantee is 12 months from purchase date, proof of which will be required for any claim.

Sealey Group, Kempson Way, Suffolk Business Park, Bury St Edmunds, Suffolk. IP32 7AR



01284 757500



01284 703534



sales@sealey.co.uk



www.sealey.co.uk