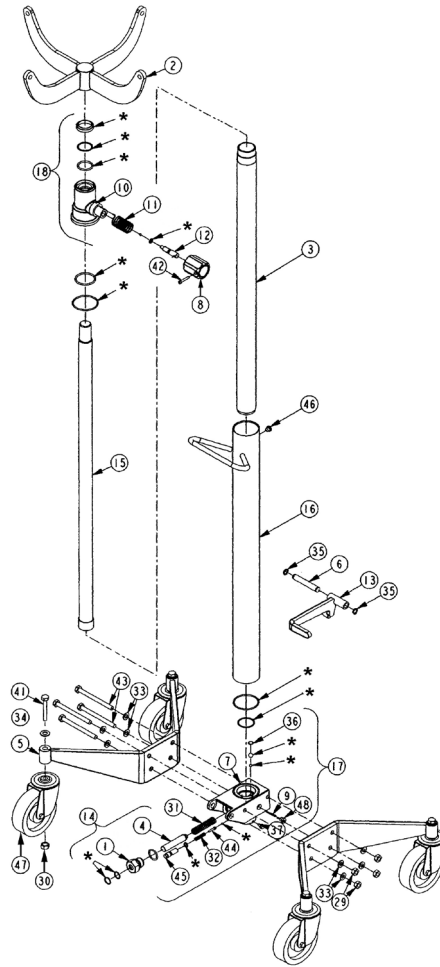




Parts Information:
Transmission Jack Premier Viking
1.25tonne Vertical
Model No: 1250GA.V2



Item	Part No.	Description
1	100/9052700	Pump Piston Guide
2	100/9057100	Forked Lifting Saddle
3	100/9055500	Cylinder Tube
4	100/9055700	Pump Piston
5	100/9057400	Base
6	100/9060600	Spike For Pedal
7	100/9060900	Pump Block Complete
8	100/9061100	Release Handle
9	GSM810.S	Grub Screw m8x10 (Single)
10	100/9061300	Cylinder Nut
11	100/9062400	Spring
12	100/9062800	Valve Spindle
13	100/9062900	Pedal
14	100/9083100	Pump Piston, Complete
15	100/9090200	Piston Rod
16	100/9090400	Reservoir
17	100/9083200	Pump Block, Complete
18	100/9083300	Cylinder Nut, Complete

Item	Part No.	Description
29	SN10.S	Steel Nut m10 Zinc din934(Single)
30	SN12.S	Steel Nut m12 Zinc din934(Single)
31	100/02039	Release Spring
32	100/02038	Spring
33	100/02116	Washer Plate
34	FWM12.S	Flat Washer m12 Single
35	100/02203	Circlip
36	100/02214	Circlip
37	100/02281	Screw
41	HHB1275.S	Hex Head Bolt m12x75mm Single
42	SCB530.S	Socket Cap Bolt Zinc m5x30
43	100/02335	Bolt
44	100/02340	Bolt
45	100/02384	Adjusting Screw
46	100/02448	Oil Filling Plug
47	100/02449	Wheel,Castor (125x9x38x155)
48	100/02483	Valve Plug
*	100/0903800	Repair Kit

NOTE: It is our policy to continually improve products and as such we reserve the right to alter data, specifications and component parts without prior notice.

IMPORTANT: No liability is accepted for incorrect use of product.

WARRANTY: Guarantee is 12 months from purchase date, proof of which will be required for any claim.

Sealey Group, Kempson Way, Suffolk Business Park, Bury St Edmunds, Suffolk. IP32 7AR



01284 757500



01284 703534



sales@sealey.co.uk



www.sealey.co.uk