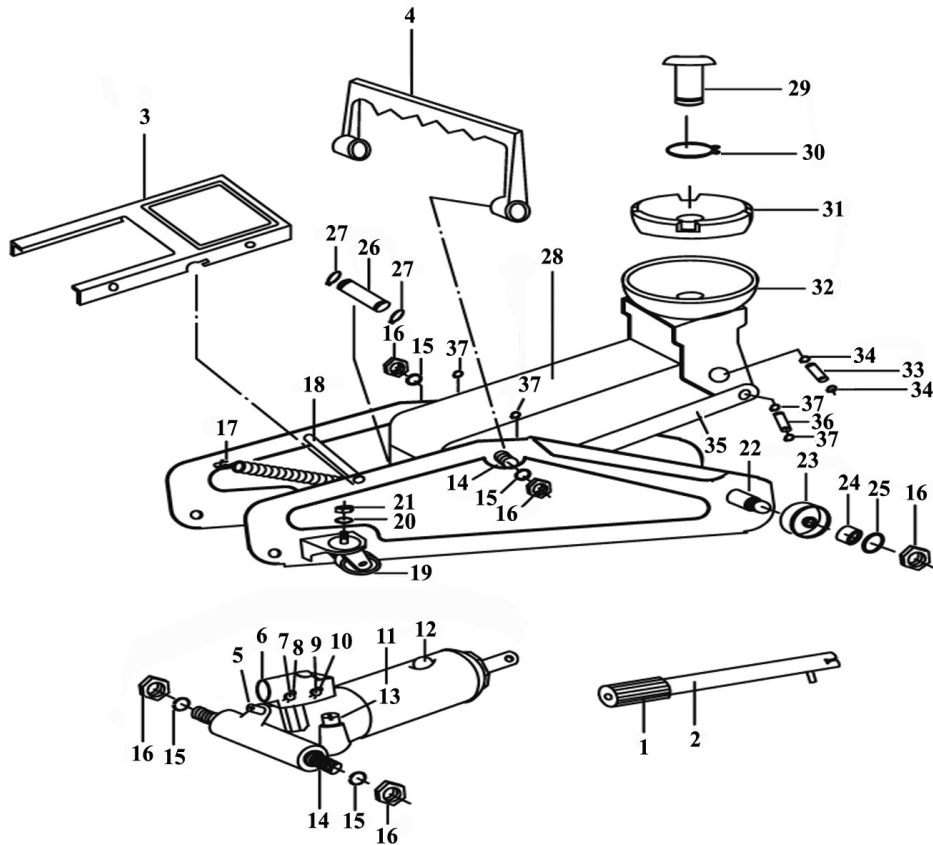


Parts Information:
**Trolley Jack 2tonne Short Chassis with
 Storage Case**
Model No: 1100CXD.V3



Item	Part No.	Description
1	1100CXD.V3-01	HANDLE GRIP
2	1100CXD.V3-02	HANDLE
3	1100CXD.V3-03	COVER PLATE
4	1100CXD.V3-04	PORTABLE HANDLE
5	1100CXD.V3-05	RELEASE VALVE
6	1100CXD.V3-06	HANDLE SOCKET
7	1100CXD.V3-07	PUMP PLUNGER BOLT
8	1100CXD.V3-08	COTTER PIN 1.4
9	1100CXD.V3-09	SOCKET BOLT
10	1100CXD.V3-10	COTTER PIN 1.2
11	1100CXD.V3-11	POWER UNIT
12	3003CXQ-05	OIL PLUG
13	1100CXD.V3-13	OVERLOAD VALVE
14	1100CXD.V3-14	AXLE SHAFT
15	SWM12.S	SPRING WASHER M12 ZINC (SINGLE)
16	SN12.S	STEEL NUT M12 ZINC DIN934(SINGLE)
17	1100CXD.V3-17	RETURN SPRING
18	1100CXD.V3-18	FIXED WIDTH SHAFT 40X18X11
19	1100CXD.V3-19	WHEEL,CASTOR (40x9x17x52)

Item	Part No.	Description
20	SWM10.S	SPRING WASHER M10 ZINC (SINGLE)
21	SN10.S	STEEL NUT M10 ZINC DIN934(SINGLE)
22	1100CXD.V3-22	SHAFT, FRONT WHEEL
23	1100CXD.V3-23	WHEEL,FRONT FIXED (66x19x18)
24	1100CXD.V3-24	AXLE SLEEVE, FRONT WHEEL
25	FWM12.S	FLAT WASHER M12 SINGLE
26	1100CXD.V3-26	LIFTING ARM PIVOT
27	1100CXD.V3-27	SNAP RING "C" 17
28	1100CXD.V3-28	LIFTING ARM WELDING
29	1100CXD.V3-29	SHAFT, SADDLE
30	1100CXD.V3-30	SNAP RING "C" 13
31	1100CXD.V3-31	SADDLE
32	1100CXD.V3-32	SADDLE HOLDER
33	1100CXD.V3-33	U-BRACKET DOWEL
34	1100CXD.V3-34	SNAP RING "C" 12
35	1100CXD.V3-35	LINKAGE
36	1100CXD.V3-36	LINKAGE JOINTER
37	1100CXD.V3-37	SNAP RING "C" 10
--	1100CXD.V3-SC	STORAGE CASE (NOT SHOWN)

NOTE: It is our policy to continually improve products and as such we reserve the right to alter data, specifications and component parts without prior notice.

IMPORTANT: No liability is accepted for incorrect use of product.

WARRANTY: Guarantee is 12 months from purchase date, proof of which will be required for any claim.