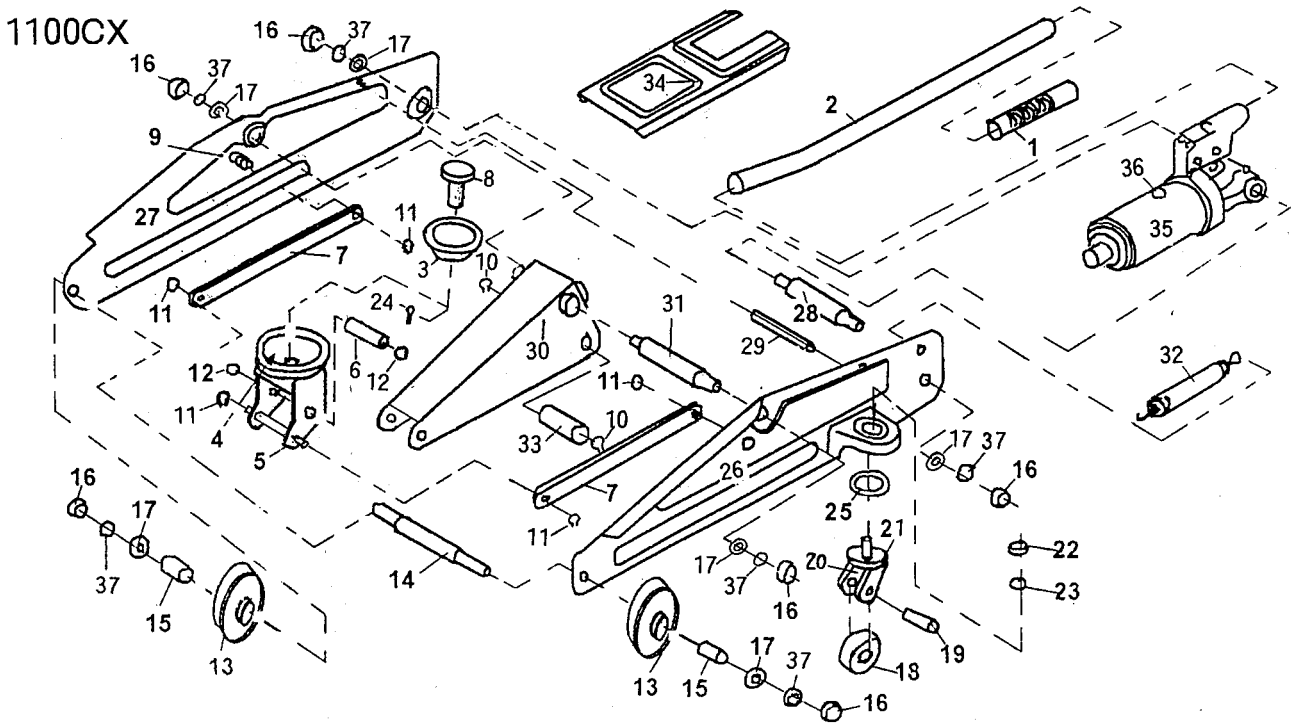


TROLLEY JACK MODELS: 1100CX & 1100CXD



Original Date: 070498
 Issue Date: 070498
 Issue No: 2
 Date Modified: 100800

Item	Part Number	Description	Item	Part Number	Description
1	1100CX/01	HANDLE GRIP	21	1100CX/21	BOLT, CASTER WHEEL
2	1100CX/02	HANDLE	22	1100CX/22	NUT
3	1100CX/03	SADDLE	23	1100CX/23	LOCK WASHER
4	1100CX/04	SADDLE HOLDER	24	1100CX/24	SPLIT PIN
5	1100CX/05	SADDLE BRACKET	25	1100CX/25	STEEL BALL BEARING
6	1100CX/06	SPINDLE	26	1100CX/26	SIDE MEMBER, L/H
7	1100CX/07	RADIUS LINK	27	1100CX/27	SIDE MEMBER, R/H
8	1100CX/08	SADDLE PIN	28	1100CX/28	ANCHOR BOLT
9	1100CX/09	PIN LINK	29	1100CX/29	SPINDLE SIDE MEMBER
10	1100CX/10	RETAINING RING	30	1100CX/30	LIFTING ARM
11	1100CX/11	RETAINING RING	31	1100CX/31	SPINDLE, LIFTING ARM
12	1100CX/12	RETAINING RING	32	1100CX/32	RETURNING SPRING
13	1100CX/13	FRONT WHEEL	33	1100CX/33	CROSS HEAD PIN
14	1100CX/14	SPINDLE FRONT WHEEL	34	1100CX/34	COVER PLATE
15	1100CX/15	SPACER FRONT WHEEL	35	1100CX/35	HYDRAULIC UNIT ASSEMBLY
16	1100CX/16	NUT	36	1100CX/36	OIL FILTER PLUG
17	1100CX/17	FLAT WASHER	37	1100CX/37	SPRING WASHER
18	1100CX/18	CASTER WHEEL			
19	1100CX/19	SPINDLE, CASTER WHEEL			
20	1100CX/20	FORK, CASTER WHEEL			

NOTE: It is our policy to continually improve products and as such we reserve the right to alter data, specifications and component parts without prior notice.