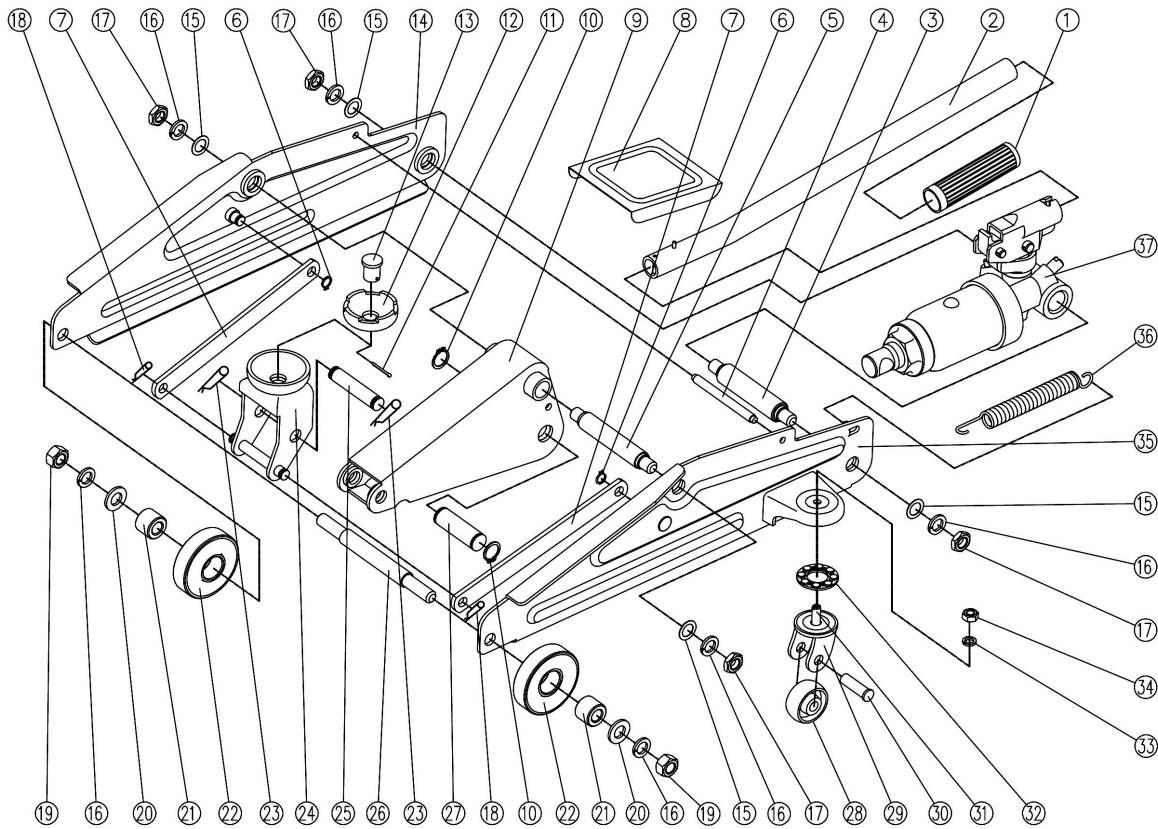


Parts Information:
Trolley Jack 2tonne Chrome Plated Short Chassis & Axle Stands 2tonne Chrome Plated with Storage Case
Model No: 1060CXDK



Item	Part No.	Description
1	1060CXDK.01	HANDLE GRIP
2	1060CXDK.02	HANDLE
3	1060CXDK.03	BACK SUPPORTING SHAFT
4	1060CXDK.04	SPINDLE SIDE MEMBER
5	1060CXDK.05	SUPPORTING SHAFT
6	1060CXDK.06	RETAINING RING 10
7	1060CXDK.07	LINKING ROD
8	1060CXDK.08	COVER PLATE
9	1060CXDK.09	LIFTING ARM
10	1060CXDK.10	RETAINING RING 17
11	1060CXDK.11	PIN 2 X 20
12	1060CXDK.12	SADDLE
13	1060CXDK.13	SADDLE BRACKET
14	1060CXDK.14	SIDE MEMBER, R/H
15	1060CXDK.15	THIN WASHER
16	1060CXDK.16	WASHER 12
17	SN12.S	STEEL NUT M12 ZINC DIN934(SINGLE)
18	1060CXDK.18	TORSION PIN
19	SN12.S	STEEL NUT M12 ZINC DIN934(SINGLE)

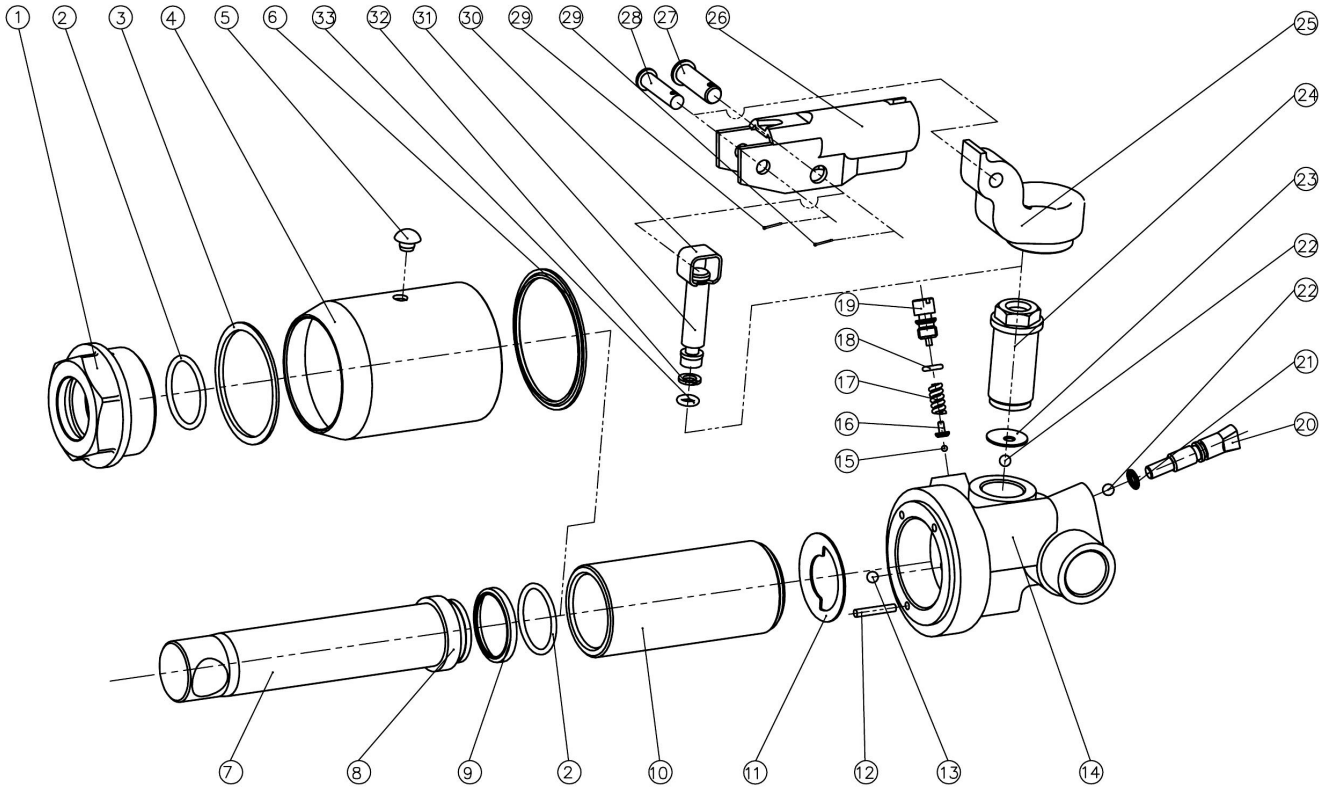
Item	Part No.	Description
20	1060CXDK.20	WASHER 12
21	1060CXDK.21	FRONT WHEEL SPACER (OD 24mm x 12mm bore)
22	1060CXDK.22	WHEEL,FRONT (65x24x17)
23	1060CXDK.23	TORSION PIN
24	1060CXDK.24	BRACKET
25	1060CXDK.25	SPINDLE
26	1060CXDK.26	FRONT WHEEL SPINDLE
27	1060CXDK.27	SHAFT LINK
28	1050CX.V3-24	WHEEL,BLACK CASTOR (40x9x17x51)
29	1060CXDK.29	FORK, CASTOR WHEEL
30	1060CXDK.30	SPINDLE, CASTOR WHEEL
31	1060CXDK.31	BOLT
32	1060CXDK.32	BALL SUPPORT RACE
33	1060CXDK.33	WASHER 8
34	SN8.S	STEEL NUT M8 ZINC DIN934 (SINGLE)
35	1060CXDK.35	SIDE MEMBER, L/H
36	1060CXDK.36	RETURNING SPRING
37	1060CXDK.37	HYDRAULIC UNIT ASSEMBLY

NOTE: It is our policy to continually improve products and as such we reserve the right to alter data, specifications and component parts without prior notice.

IMPORTANT: No liability is accepted for incorrect use of product.

WARRANTY: Guarantee is 12 months from purchase date, proof of which will be required for any claim.

Parts Information:
Trolley Jack 2tonne Chrome Plated Short Chassis & Axle Stands 2tonne Chrome Plated with Storage Case
Model No: 1060CXDK



Item	Part No.	Description
1	1060CXDK.P01	TOP CAP
2	1060CXDK.P02	O-RING (22.4 X 3.55G)
3	1060CXDK.P03	O-RING
4	1060CXDK.P04	RESERVOIR
5	1060CXDK.P05	OIL FILLING PLUG
6	1060CXDK.P06	BACK UP RING
7	1060CXDK.P07	PISTON ROD
8	1060CXDK.P08	PLUNGER
9	1060CXDK.P09	BOWL WASHER
10	1060CXDK.P10	CYLINDER
11	1060CXDK.P11	STEEL WASHER
12	1060CXDK.P12	FILTER OIL TUBE
13	SB-5.0	STEEL BALL 5.0mm
14	1060CXDK.P14	BASE
15	SB-3.0	STEEL BALL 3.0mm
16	1060CXDK.P16	SPRING BASE
17	1060CXDK.P17	SPRING

Item	Part No.	Description
18	1060CXDK.P18	O-RING
19	1060CXDK.P19	PLUG SCREW
20	1060CXDK.P20	RELEASE VALVE
21	1060CXDK.P21	O-RING
22	SB-6.0	STEEL BALL 6.0mm
23	1060CXDK.P23	WASHER
24	1060CXDK.P24	PUMP CYLINDER
25	1060CXDK.P25	HANDLE SOCKET BASE
26	1060CXDK.P26	HANDLE SOCKET
27	1060CXDK.P27	HANDLE SOCKET PIN 1
28	1060CXDK.P28	HANDLE SOCKET PIN 2
29	1060CXDK.P29	PIN 2 X 16
30	1060CXDK.P30	PUMP PLUNGER COVER
31	1060CXDK.P31	PUMP PLUNGER
32	1060CXDK.P32	RING
33	1060CXDK.P33	O-RING

NOTE: It is our policy to continually improve products and as such we reserve the right to alter data, specifications and component parts without prior notice.

IMPORTANT: No liability is accepted for incorrect use of product.

WARRANTY: Guarantee is 12 months from purchase date, proof of which will be required for any claim.