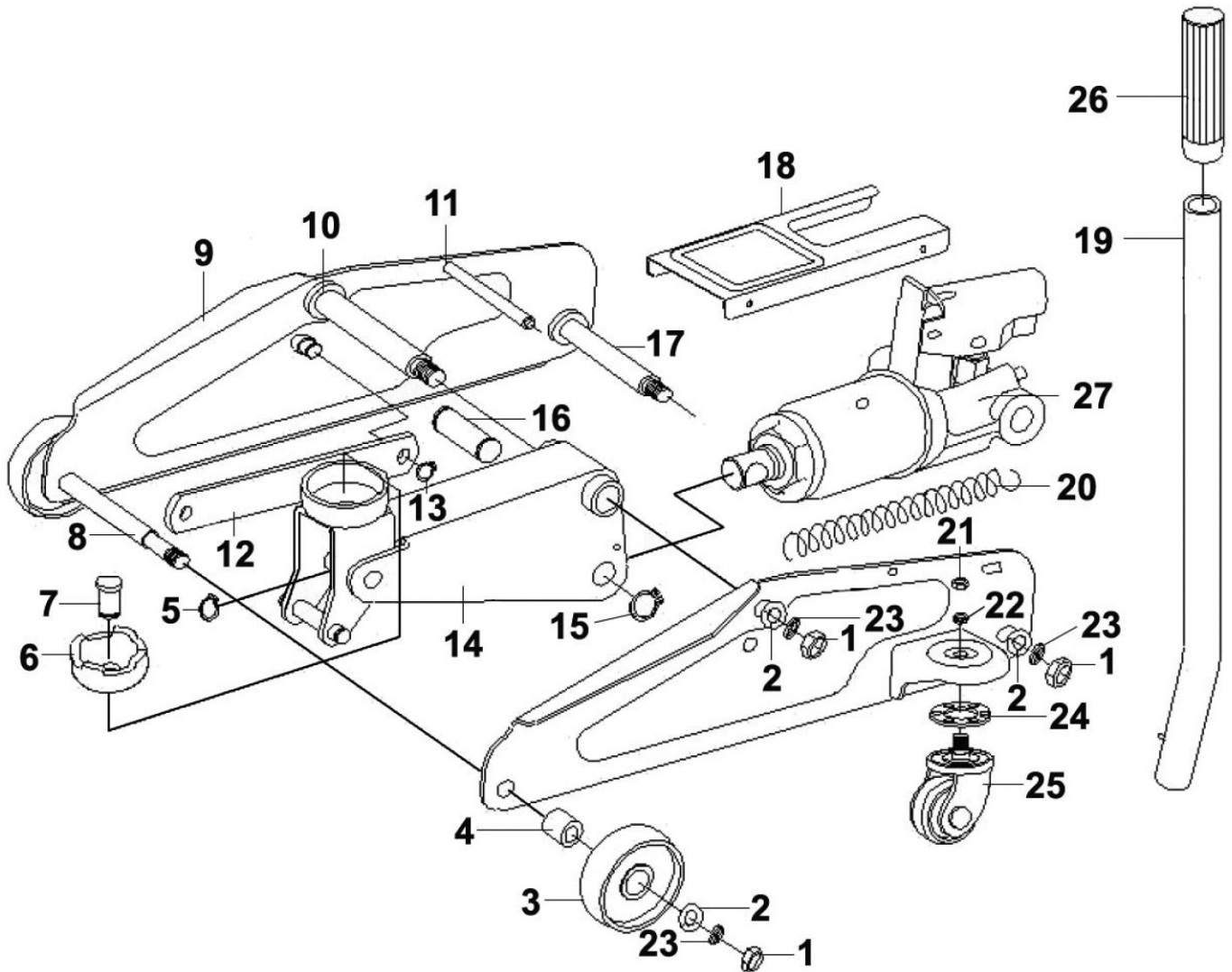


Parts Information:
**Trolley Jack 2.25tonne High Lift Super
 Rocket Lift**
Model No: 1025HL.V2



Item	Part No.	Description
1	SN16.S	Steel Nut M16 Zinc
2	FWM16.S	Flat Washer M16 Zinc
3	1025HL.V2-03	Wheel, Fixed Front (D: 75 W: 42 B: 20)
4	1025HL.V2-04	Bushing
5	1025HL.V2-05	C-Ring S13
6	1025HL.V2-06	Saddle
7	1025HL.V2-07	Saddle Pin
8	1025HL.V2-08	Front Wheel Axle
9	1025HL.V2-09	Side Frame
10	1025HL.V2-10	Lifting Arm Pin
11	1025HL.V2-11	Side Frame Axle
12	1025HL.V2-12	Link Rod
13	1025HL.V2-13	C-Ring S10
14	1025HL.V2-14	Lifting Arm

Item	Part No.	Description
15	1025HL.V2-15	C-Ring S22
16	1025HL.V2-16	Link Pin
17	1025HL.V2-17	Spindle
18	1025HL.V2-18	Cover Plate
19	1025HL.V2-19	Jack Handle (Circle) 15mm
20	1025HL.V2-20	Return Spring
21	SN10.S	Steel Nut M10 Zinc
22	SWM10.S	Spring Washer M10 Zinc
23	SWM16.S	Spring Washer M16 Zinc
24	1025HL.V2-24	Bearing Race
25	1025HL.V2-25	Castor Wheel Ass'y
26	1025HL.V2-26	Handle Grip
27	1025HL.V2-27	Pump Unit

NOTE: It is our policy to continually improve products and as such we reserve the right to alter data, specifications and component parts without prior notice. There may be alternative versions of this product, please contact us should you require this information.

IMPORTANT: No liability is accepted for incorrect use of product. Spare parts must be fitted by a competent person

WARRANTY: Guarantee is 12 months from purchase date, proof of which will be required for any claim.