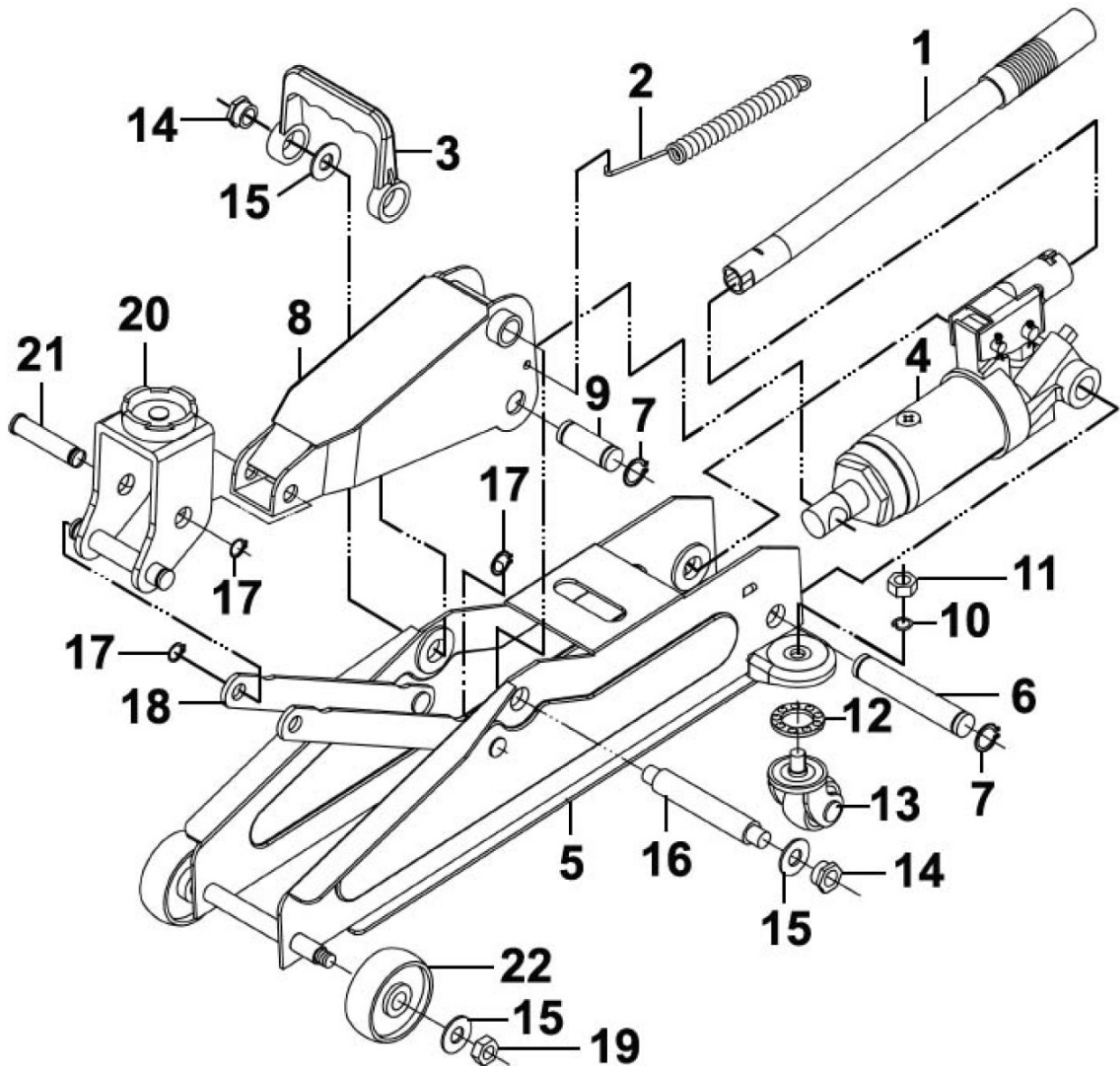


Parts Information:  
**Trolley Jack 2.25tonne High Lift Super  
 Rocket Lift**  
**Model No: 1025HL**



Item	Part No.	Description
1	1025HL.01	Jack Handle (Pinched Oval) 8.27x16.60mm
2	1025HL.02	Return Spring Dia 10.9mm
3	1025HL.03	Carrying Handle
4	1025HL.04	Power Unit Ass'y
5	1025HL.05	Frame
6	1025HL.06	Spindle (20x17mm)
7	PT2200.336	External Circlip 18.4mm ID
8	1025HL.08	Lifting Arm
9	1025HL.09	Middle Shaft
10	SWM8.S	Spring Washer M8 Zinc
11	SN10.S	Steel Nut M10 Zinc
12	1025HL.12	Plastic Bearing Race

Item	Part No.	Description
13	1050CX.V3-24	Wheel, Swivel Castor, Single Bolt (D:40 W:17 B:10 H:68)
14	SN12.S	Steel Nut M12 Zinc
15	1025HL.15	Washer M12
16	1025HL.16	Lifting Arm Spindle
17	AK451DX.17A	External Circlip 11.8mm ID.
18	1025HL.18	Link Rod
19	SN12.S	Steel Nut M12 Zinc
20	1025HL.20	Saddle Assembly, White Serrated (M) Ø 61mm (Shaft Ø 14mm)
21	1025HL.21	Shaft
22	1025HL.22	Wheel, Fixed (D:75 W:35 B:17)

**NOTE:** It is our policy to continually improve products and as such we reserve the right to alter data, specifications and component parts without prior notice. There may be alternative versions of this product, please contact us should you require this information.

**IMPORTANT:** No liability is accepted for incorrect use of product. Spare parts must be fitted by a competent person

**WARRANTY:** Guarantee is 12 months from purchase date, proof of which will be required for any claim.