

Item	Part No.	Description
1	100/0202800	Screw
2	SN6.S	Steel Nut m6 Zinc din934 (Single)
3	FWM12.S	Flat Washer m12 Single
4	100/02204	Circlip
5	100/02206	Circlip
6	100/02209	Circlip
7	100/0226100	Steel Bearing Race
8	100/02308	Screw
9	SS1225.S	Hex Head Set Screw m12x25mm Single
10	100/3600900	Plastic Cover
11	100/3601000	Lever Tube

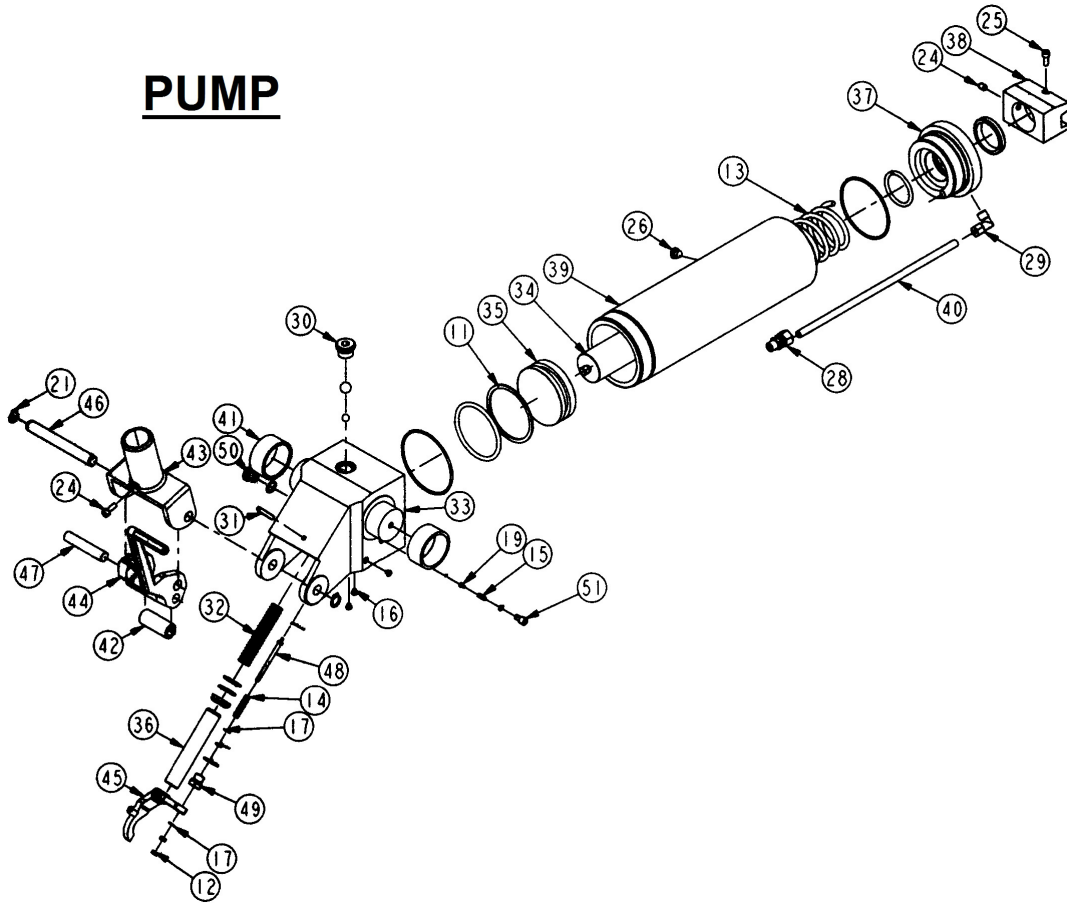
Item	Part No.	Description
12	100/3601100	Handle
14	100/3602800	Wheel Fork
15	100/3602900	Wheel,Fixed (100x18x33)
16	100/3603000	Wheel 121x52x35
17	100/3603100	Saddle
18	100/3603300	Axle
19	100/3604600	Base Frame
20	100/3604700	Lifting Frame
21	100/3604400	Steering Rod
22	100/9100000	Pump Complete

NOTE: It is our policy to continually improve products and as such we reserve the right to alter data, specifications and component parts without prior notice.

IMPORTANT: No liability is accepted for incorrect use of product.

WARRANTY: Guarantee is 12 months from purchase date, proof of which will be required for any claim.

PUMP



Item	Part No.	Description
11	100/0130100	Back-up Ring
12	SN5.S	Steel Nut m5 Zinc din934 (Single)
13	100/0202900	Spring
14	100/0205400	Spring
15	100/0207800	Spring
16	100/0208800	Plug
17	100/0210800	Washer
19	100/0215500	Screw
21	100/02224	Circlip
24	100/02313	Counter Screw
25	100/02346	Screw
26	100/02448	Oil Filling Plug
28	100/0263800	Gland
29	100/0263900	Gland
30	100/0264000	Plug
31	100/0268300	Stop Screw
32	100/0268500	Spring
33	100/9100100	Pump Body
34	100/9100300	Piston Rod

Item	Part No.	Description
35	100/9100400	Piston
36	100/9100500	Pump Piston
37	100/9100600	Cylinder Nut
38	100/9101000	Adaptor
39	100/9101100	Cylinder Tube
40	100/9101300	Oil Hose
41	100/9101700	Bearing Bush
42	100/9102300	Roll
43	100/9102700	Tipping Gear
44	100/9102800	Pedal
45	100/9102900	Release Bracket
46	100/9103000	Axle
47	100/9103100	Rolling Axle
48	100/9105600	Release Spindle
49	100/9105700	Release Guide
50	100/9107700	Plug
51	100/9500502	Adjusting Screw
--	100/0904600	Repair Kit (NOT SHOWN)

NOTE: It is our policy to continually improve products and as such we reserve the right to alter data, specifications and component parts without prior notice.

IMPORTANT: No liability is accepted for incorrect use of product.

WARRANTY: Guarantee is 12 months from purchase date, proof of which will be required for any claim.