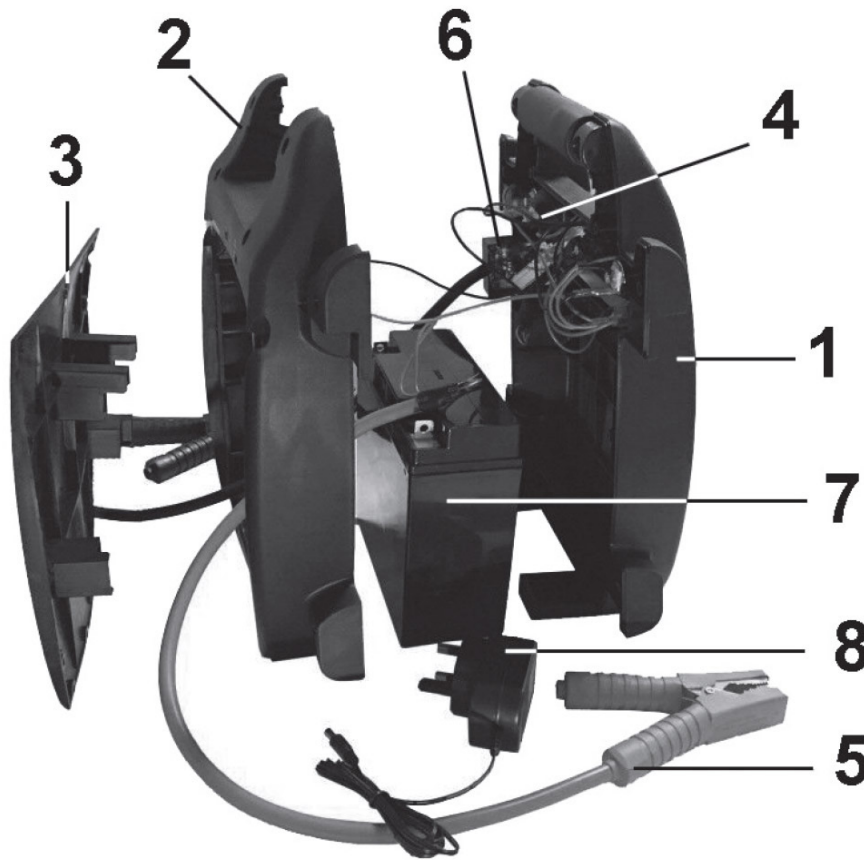




Parts Information:  
RoadStart® Emergency Jump Starter 12V  
3.5L 6-Cylinder  
Model No: RS102B



Item	Part No.	Description
1	RS102B.01	Front Case (RS102B ONLY)
2	RS102B.02	Back case (RS102B ONLY)
3	RS102B.03	Panel For Back Case (RS102B ONLY)
4	RS1B.04	Switch On/Off Rotary c/w Fixing Nuts
5	RS1B.05	Positive & Negative Clamp Assembly

Item	Part No.	Description
6	RS1B.06	PCB, Circuit Board, 65 X 50mm, c/w Micro Switch x 2
7	RS125.12	Battery, 12v, 22ah/264wh (Lead Acid)(H:165 W:180 B:75)
8	RS1B.CHARGER	Mains Charger UK 15V DC 0.8A 5mm Pin Jack

**NOTE:** It is our policy to continually improve products and as such we reserve the right to alter data, specifications and component parts without prior notice. There may be alternative versions of this product, please contact us should you require this information.

**IMPORTANT:** No liability is accepted for incorrect use of product. Spare parts must be fitted by a competent person

**WARRANTY:** Guarantee is 12 months from purchase date, proof of which will be required for any claim.

Sealey Group, Kempson Way, Suffolk Business Park, Bury St Edmunds, Suffolk. IP32 7AR



01284 757500



sales@sealey.co.uk



www.sealey.co.uk