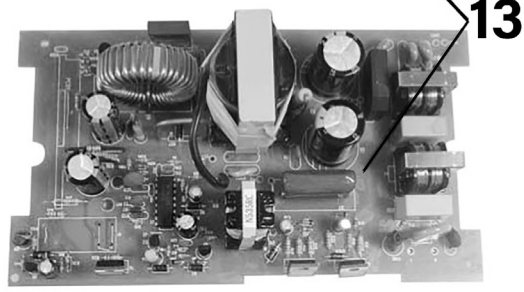
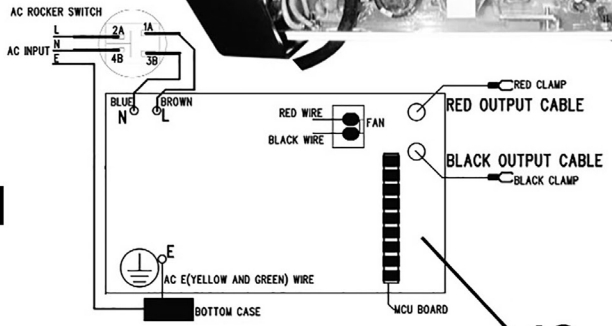
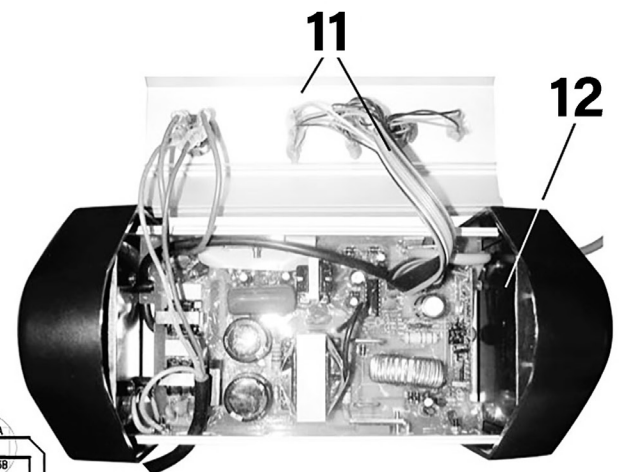




Parts Information:
**SmartCharge Inverter Battery Charger 12V
 12Amp 230V
 Model No: HFC12**



Item	Part No.	Description
1	HFC8.01	Red Clamp
2	HFC12.02	Red Charging Cable (Positive)
3	HFC8.03	Black Clamp
4	HFC12.04	Black Charging Cable (Negative)
5	HFC16.05	Main Power Switch
6	HFC8.06	Left Case Cover
7	HFC8.07	Right Case Cover
8	HFC12.08	Handle

Item	Part No.	Description
9	HFC12.09	Front label
10	HFC12.10	Safety Warning Label
11	HFC12.11	Top Display c/w Labels
12	HFC12.12	Cooling Fan
13	HFC12.13	Pcb Board
--	HFC12.14	Bottom Panel (Not Shown)
--	HFC12.15	Selection Switch c/w Nut & Washer (Not Shown)

NOTE: It is our policy to continually improve products and as such we reserve the right to alter data, specifications and component parts without prior notice. There may be alternative versions of this product, please contact us should you require this information.

IMPORTANT: No liability is accepted for incorrect use of product. Spare parts must be fitted by a competent person

WARRANTY: Guarantee is 12 months from purchase date, proof of which will be required for any claim.

Sealey Group, Kempson Way, Suffolk Business Park, Bury St Edmunds, Suffolk. IP32 7AR

01284 757500 | sales@sealey.co.uk | www.sealey.co.uk