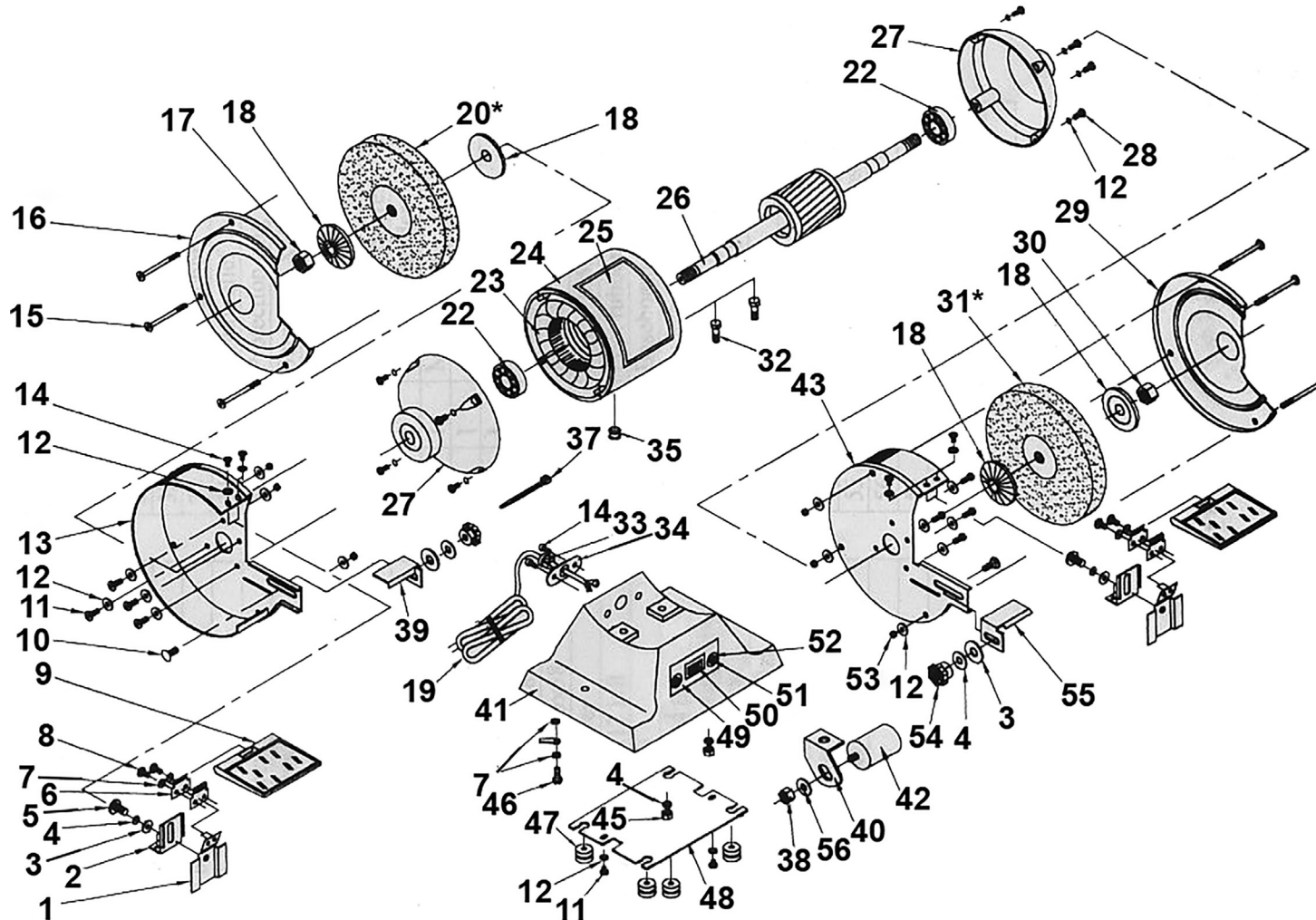




Parts Information:
Bench Grinder Ø150mm with Wire Wheel 370W/230V
Model No: BG150XLW/98.V2



NOTE: It is our policy to continually improve products and as such we reserve the right to alter data, specifications and component parts without prior notice.

There may be alternative versions of this product, please contact us should you require this information.

IMPORTANT: No liability is accepted for incorrect use of product. Spare parts must be fitted by a competent person

WARRANTY: Guarantee is 12 months from purchase date, proof of which will be required for any claim.

Sealey Group, Kempson Way, Suffolk Business Park, Bury St Edmunds, Suffolk. IP32 7AR



01284 757500



sales@sealey.co.uk



www.sealey.co.uk



Parts Information:
**Bench Grinder Ø150mm with Wire Wheel
370W/230V
Model No: BG150XLW/98.V2**

Item	Part No.	Description
1	BG150XL96V201	Eyeshield Bracket
2	BG150XL96V202	Bracket Support
3	RW619.S	Repair Washer M6 x 19mm
4	FWM6.S	Flat Washer M6
5	MSP610.S	Machine Screw Pan Head Phillips M6 x 10mm
6	BG150XL96V206	Eyeshield Holder
7	FWM4.S	Flat Washer M4
8	MSP46.S	Machine Screw Pan Head Phillips M4 x 6mm
9	BG150XL96V209	Eyeshield
10	BG150XL96V210	Bolt M6 x 16mm
11	MSP510.SB	Machine Screw Pan Head Phillips M5 x 10mm Black
12	FWM5.S	Flat Washer M5
13	BG150XL96V213	Wheel Guard, Left
14	MSP58.S	Screw M5 x 8mm
15	BG150XL96V215	Screw M5 x 58mm
16	BG150XL96V216	Wheel Guard, Left
17	BG150XL96V217	Nut M12 Left
18	BG150XL96V218	Wheel Flange
19	BG150XL96V219	Cord & Plug
20*	BG150/15	Grinding Stone Ø150 x 20mm Ø32(13)mm Bore A60P Fine (Please See Catalogue)
20*	BG150/16	Grinding Stone Ø150 x 20mm Ø32(13)mm Bore A36Q Coarse (Please See Catalogue)
22	B/6202ZZ	Bearing 6202ZZ
23	BG150XL96V223	Stator
24	BG150XL96V224	Motor Case
25	BG150XL96V225	Label
26	BG150XL96V226	Rotor
27	BG150XL96V227	End Casing
28	BG150XL96V228	Screw M5 x 16mm

Item	Part No.	Description
29	BG150XL96V229	Wheel Guard Cover, Right
30	SN12.S	Steel Nut M12
31*	BG150/WW1	Wire Wheel Ø150 x 13mm Ø13mm Bore Narrow (Please See Catalogue)
31*	BG150/WW2	Wire Wheel Ø150 x 20mm Ø13mm Bore Wide (Please See Catalogue)
32	SS625.S	Hex Head Set Screw M6 x 25mm
33	BG150XL96V233	Cord Grip
34	BG150XL96V234	Strain Relief
35	BG150XL96V235	Protection Ring
37	BG150XL96V237	Cable Tie
38	SN8.S	Steel Nut M8
39	BG150XL/96-08	Tool Rest, Left
40	BG150XL96V240	Capacitor Holder
41	BG150XL96V241	Base
42	BG150XL96V242	Capacitor 5µF 400V AC 50/60Hz CBB60
43	BG150XL96V243	Wheel Guard, Right
45	SN6.S	Steel Nut M6
46	MSP58.SB	Machine Screw Pan Head Phillips M5 x 8mm Black
47	BG150XL96V247	Rubber Foot
48	BG150XL96V248	Base Plate
49	BG150XL96V249	Switch Label
50	BG150XL96V250	Switch, Rocker 16A/250V
51	MSP310.S	Machine Screw Pan Head Phillips M3 x 10mm
52	FWM3.S	Flat Washer M3
53	SN5.S	Steel Nut M5
54	BG150XL/96-TF	Tool Rest Fixing Complete
55	BG150XL/96-40	Adjustable Rest, Right
56	FWM8.S	Flat Washer M8

NOTE: It is our policy to continually improve products and as such we reserve the right to alter data, specifications and component parts without prior notice. There may be alternative versions of this product, please contact us should you require this information.

IMPORTANT: No liability is accepted for incorrect use of product. Spare parts must be fitted by a competent person

WARRANTY: Guarantee is 12 months from purchase date, proof of which will be required for any claim.

Sealey Group, Kempson Way, Suffolk Business Park, Bury St Edmunds, Suffolk. IP32 7AR



01284 757500



sales@sealey.co.uk



www.sealey.co.uk