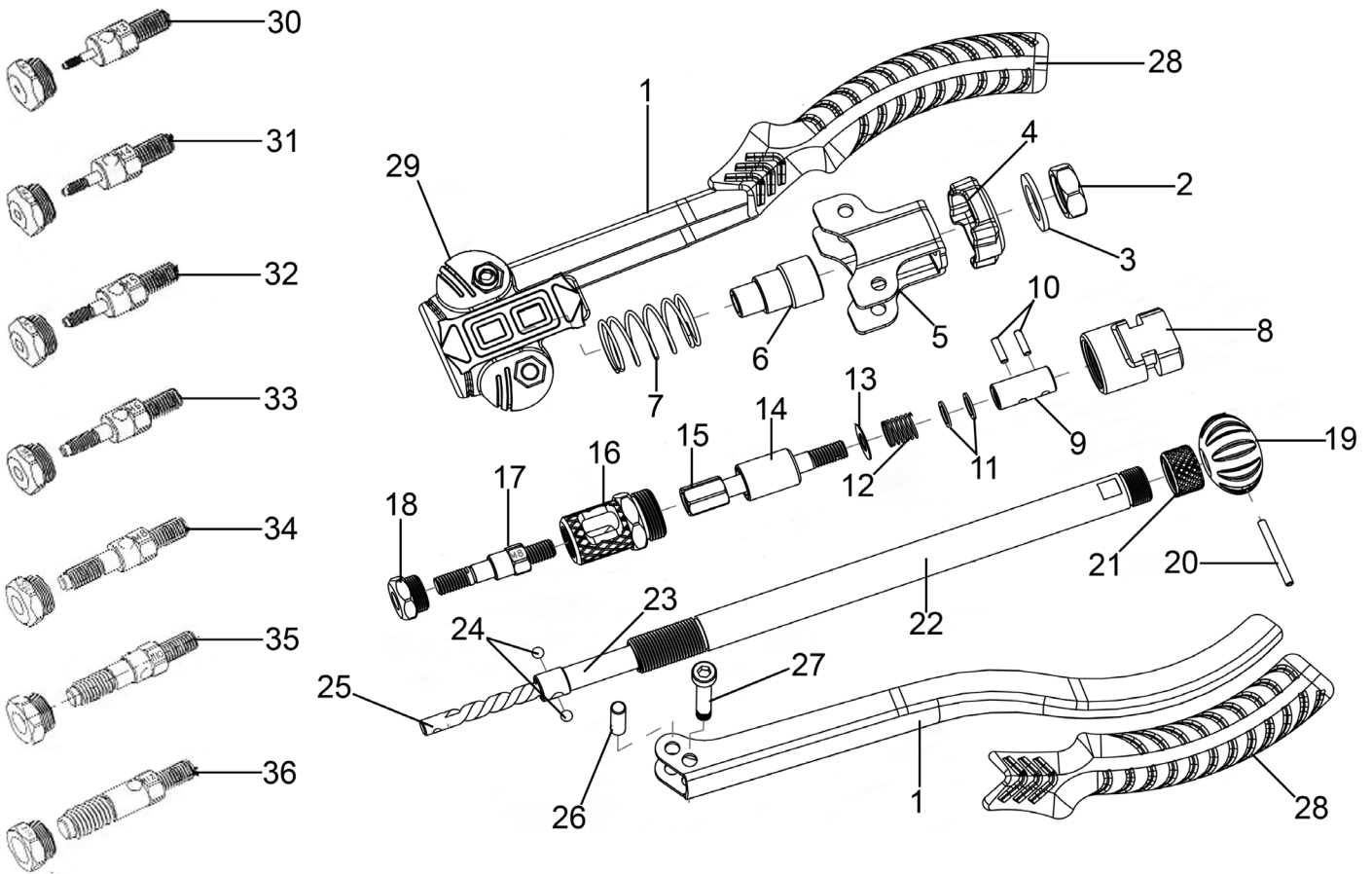


Parts Information:
Threaded Nut Riveter Medium-Arm Quick Release
Model No: AK3988



Item	Part No.	Description	Qty
1	AK3988.01	Handle	2
2	AK3982.V2-11	Centre Rod Nut	1
3	FWM16.S	Flat Washer M16	1
4	AK3988.04	Cover	1
5	AK3982.V2-16	Body (U-Shape)	1
6	AK3988.06	Fixed Sleeve	1
7	AK3982.V2-14	Spring, Centre Rod	1
8	AK3988.08	Movable Seat	1
9	AK3988.09	Nut, Movable Seat	1
10	AK3988.10	Pin 3 x 11.5mm	2
11	AK3988.11	Gasket	2
12	AK3988.12	Spring, Sliding Rod Ø 11.9mm	1
13	AK3988.13	Gasket	1
14	AK3988.14	Sliding Rod	1
15	AK3988.15	Tie Rod	1
16	AK3988.16	Jaw Sleeve	1
17	AK3988.17	Mandrel M8	1
18	AK3988.18	Guide Cap	1

Item	Part No.	Description	Qty
19	AK3988.19	Knob, Push Support Ø 35mm	1
20	AK3988.20	Spring Pin	1
21	AK3988.21	Knurled Ring	1
22	AK3988.22	Outer Casing	1
23	AK3988.23	Push Rod, Inner	1
24	AK3988.24	Steel Ball	2
25	AK3988.25	Inner Twist Rod	1
26	AK3982.V2-09	Handle Pin 6 x 24mm	2
27	AK3982.V2-07	Handle Screw	2
28	AK3982.V2-24	Handle Sleeve	2
29	AK3988.29	Plastic Body	1
30	AK3985.39+40	Riveting Bar + Nose Piece M3	1
31	AK3985.37+38	Riveting Bar + Nose Piece M4	1
32	AK3985.35+36	Riveting Bar + Nose Piece M5	1
33	AK3985.33+34	Riveting Bar + Nose Piece M6	1
34	AK3985.31+32	Riveting Bar + Nose Piece M8	1
35	AK3985.01-02	Nose Piece + Riveting Bar M10	1
36	AK3985.29+30	Riveting Bar + Nose Piece M12	1

NOTE: It is our policy to continually improve products and as such we reserve the right to alter data, specifications and component parts without prior notice. There may be alternative versions of this product, please contact us should you require this information.

IMPORTANT: No liability is accepted for incorrect use of product. Spare parts must be fitted by a competent person

WARRANTY: Guarantee is 12 months from purchase date, proof of which will be required for any claim.