



HYDRAULIC PRESS PREMIER FLOOR TYPE WITH FOOT PEDAL

MODEL NO: YK15FFP, YP20FFP, YK30FFP & YK50FFP

Thank you for purchasing a Sealey product. Manufactured to a high standard, this product will, if used according to these instructions, and properly maintained, give you years of trouble free performance.

IMPORTANT: PLEASE READ THESE INSTRUCTIONS CAREFULLY. NOTE THE SAFE OPERATIONAL REQUIREMENTS, WARNINGS & CAUTIONS. USE THE PRODUCT CORRECTLY AND WITH CARE FOR THE PURPOSE FOR WHICH IT IS INTENDED. FAILURE TO DO SO MAY CAUSE DAMAGE AND/OR PERSONAL INJURY AND WILL INVALIDATE THE WARRANTY. KEEP THESE INSTRUCTIONS SAFE FOR FUTURE USE.



Refer to instructions



Wear a face shield



Wear protective gloves



Wear safety footwear



Wear protective clothing



Warning; Crushing of hands

1. SAFETY

- ✓ Familiarise yourself with the applications, limitations and hazards of the press.
- ✓ Maintain the press in good condition (use an authorised service agent).
- ✓ Replace or repair damaged parts. Use recommended parts only. Unauthorised parts may be dangerous and will invalidate the warranty.
- ✓ Keep the press clean for best and safest performance.
- ✓ Locate the press in an adequate working area for its function, keep area clean and tidy and free from unrelated materials and ensure there is adequate lighting.
- ✓ Ensure the workpiece is correctly secured before operating the press.
- ✓ Ensure that all fittings are tight before each use.
- ✓ Remove ill fitting clothing. Remove ties, watches, rings, other loose jewellery and contain long hair.
- ✓ Keep hands and body clear of the table when operating the press.
- ✓ Maintain correct balance and footing. Ensure the floor is not slippery and wear non-slip shoes.
- ✓ Keep children and unauthorised persons away from the working area.
- ✓ Securely attach the press to a flat, firm, level surface capable of supporting the weight of press and any workpiece taking into account clearance for workpieces.
- ✓ When not in use, release pressure from the hydraulic unit and clean the press. Stand or store the arbor plates in a safe location.
- * **DO NOT** operate the press if any parts are missing as this may cause failure and/or possible personal injury.
- * **DO NOT** use the press for a task it is not designed to perform.
- * **DO NOT** make any modifications to the press.
- * **DO NOT** exceed the rated capacity of the press.
- * **DO NOT** apply off-centre loads.
- * **DO NOT** allow the workpiece or the arbor plates to fall from the table.
- * **DO NOT** get the press wet or use in damp or wet locations or areas where there is condensation.
- * **DO NOT** operate the press when you are tired or under the influence of alcohol, drugs or intoxicating medication.
- * **DO NOT** climb upon the press.
- * **DO NOT** use the press to compress a spring or any other item that could disengage and cause a potential hazard including personal injury.
- * **DO NOT** stand directly in front of a loaded press and never leave a loaded press unattended.
- * **DO NOT** allow untrained persons to operate the press.
- **WARNING!** Always wear approved eye or face protection when operating the press. A full range of personal safety equipment is available from your Sealey stockist.
- **WARNING: DO NOT** top up hydraulic unit with brake fluid, or any other fluid other than a good quality hydraulic oil (Sealey Part Number: HJO500MLS/HJO5LS) as this may cause serious damage to the hydraulic unit and will invalidate the warranty.
- **WARNING!** Always position the press against a wall. If the press is situated in an open workshop, it is essential that a guard be placed at the rear of the unit. This will prevent injury to bystanders in the event of the work piece ejecting suddenly.
- **WARNING!** The warnings, cautions and instructions in this manual cannot cover all possible conditions and situations that may occur. It must be understood by the operator that common sense and caution are factors which cannot be built into this product, but must be applied by the operator.
- ▲ **DANGER!** The press is top heavy. If it requires moving after assembly or for relocation, use suitable slings around the top crossbeam, or lift direct with a forklift with the forks located under the top crossbeam. **DO NOT** use a pallet truck.

2. INTRODUCTION

Steel frame construction with speed/torque adjustable hydraulic pump featuring manual handle or foot pedal. Sliding hydraulic ram assembly gives from 169 - 245mm of lateral travel (depending on the model). Frame head fitted with ram pressure gauge. Supplied with flat pressing plate/V-blocks.

3. SPECIFICATION

Model:	YK15FFP	YK20FFP	YK30FFP	YK50FFP
Type:	Floor	Floor	Floor	Floor
Capacity:	15tonne	20tonne	30tonne	50tonne
Ram Stroke:	160mm	185mm	150mm	200mm
Lateral Travel:	169mm	179mm	200mm	245mm
Maximum Height - Ram to Table:	985mm	918mm	1031mm	1048mm
Minimum Height - Ram to Table:	173mm	38mm	151mm	67mm
Table Aperture:	140mm	152mm	164mm	235mm
Working Table Depth:	156mm	172mm	184mm	259mm
Working Table Width:	600mm	630mm	695mm	910mm
Overall Height:	1616mm	1619mm	1830mm	1877mm
Gauge Included:	Yes	Yes	Yes	Yes
Weight:	92kg	112kg	186kg	300kg
Guard Available (Optional):	N/A	YKSG20	YKSG30	YKSG50

4. ASSEMBLY

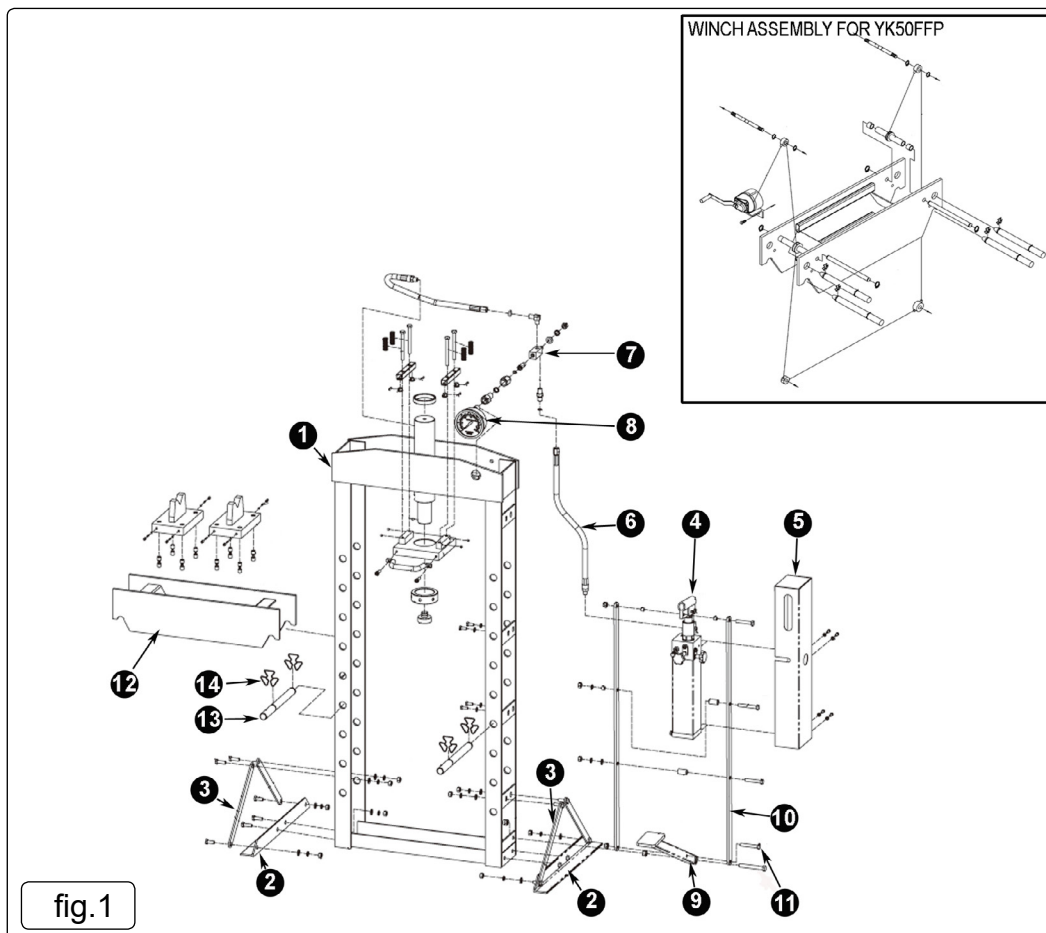
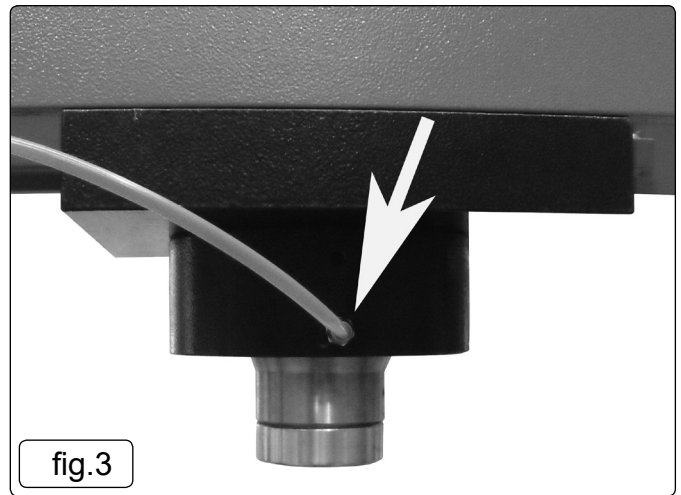
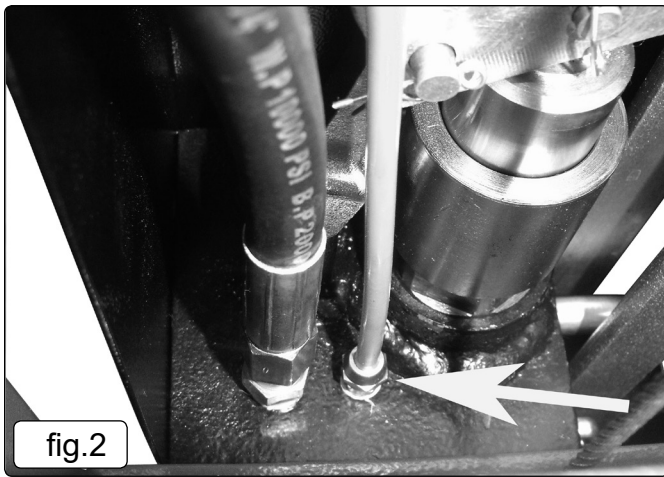


fig. 1

4.1. PRESS ASSEMBLY (refer to fig.1 as a guide to assembly)

- 4.1.1. Attach slings around the top cross member, using a suitable hoist or gantry lift the main frame (1) out of the transportation crate into an upright position.
- 4.1.2. Keep the main frame (1) held safely upright. **DO NOT** allow to fall. Attach base sections (2) with supports (3) to the left and right hand posts. Only fully tighten the securing nuts and bolts when the base sections (2) are square to the main frame.
- 4.1.3. Attach the hydraulic unit (4) and protection cover (5) to the right hand post of the main frame (1).
- 4.1.4. Connect the hydraulic hose (6) from the hydraulic unit (4) to the union on the adaptor (7) in the top cross member of the main frame (1).
- 4.1.5. Locate the pressure gauge hole in the adaptor (7) and remove the plug with a hex key (this may be very tightly secured). Screw the pressure gauge (8) into the adaptor (7).
- 4.1.6. Attach the foot pedal (9) to the hydraulic unit (4) with the connecting bars (10) and secure with the pivot bolt (11) to the bottom of the right hand post of the main frame (1).
- 4.1.7. **(YK50FFP only)** Move the hand winch from the inside of the left hand post of the main frame (1) and attach to the outside of the left hand post of the main frame (1). Ensure that the cables are located correctly in the rollers before fully tightening (See inset fig.1). Fit the plastic return pipe from the hydraulic unit (fig.2) to the back of the hydraulic ram (fig.3).
- 4.1.8. Hold work table (12) in position with work table pins (13) and secure with the safety clips (14).



5. INSTALLATION

5.1. INSTALLATION.

5.1.1. Securely attach the press to a flat, firm, level surface taking into account clearance for workpieces.
 ▲ **DANGER! The press is top heavy.** If it requires moving after assembly or for relocation, use suitable slings around the top crossbeam, or lift direct with a forklift with the forks located under the top crossbeam. **DO NOT** use a pallet truck.

5.1.2. Purge hydraulic system.

Before operating the press, the hydraulic system may require purging in order to eliminate any air that may have built up during transit.

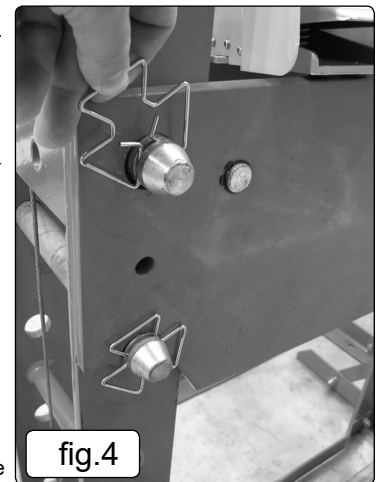
Open the release valve by turning anti-clockwise and pump the handle several times. Should the system malfunction at any time, repeating this procedure may resolve the problem.

▲ **DANGER!** The press is purpose designed to withstand greater loads than the hydraulic unit can develop. For safety reasons, always ensure the workpiece is secured on the table to ensure loads that flex will not suddenly “give” causing danger to operator or damage to component. Ensure you have read and understood chapter 1 safety instructions.

5.2. SETTING THE WORKING TABLE HEIGHT

5.2.1. (YK15FFP, YK20FFP & YK30FFP) To set the working table at the desired height it is advisable to obtain assistance due to the weight of the working table. Remove the pressing plate/V-blocks from the working table then remove the safety clips and the pins (fig.4). Position the working table at the required operating height, insert the pins into the appropriate holes in the uprights and fit safety clips.

5.2.2. (YK50FFP) Set the working table at the desired height, if adjustment is required, turn the hand winch until the cable just takes the weight of the working table, remove the safety clips from the back of the pins (fig.4) and withdraw the pins. Use the hand winch to raise or lower the working table to the height required, insert pins and safety clips. Slacken off the hand winch so that the pins are taking the full weight of the working table.



6. OPERATION

6.1. OPERATING INSTRUCTIONS

6.1.1. Check that the release valve on the hydraulic unit is fully closed, ready for operation (fig.5).

6.1.2. Locate the flat pressing plate/V-blocks on to the working table, push down the locating pins to ensure the plates **DO NOT** slip. Place workpiece on to the plates and position the head of the hydraulic unit over the centre of the workpiece.

Note: Care must be taken to ensure the plates do not fall from the working table.

□ **WARNING! DO NOT** apply off-centre loads.

6.1.3. Rotate the speed control valve clockwise to the ‘Quick Without Load’ position (fig.5) to bring the ram head rapidly into contact with the workpiece by using either the handle or the foot pedal.

Note: If the foot pedal is to be used, remove the handle from the pump unit. Once the ram head has made contact with the workpiece, rotate the speed control valve anti-clockwise to the ‘Slow With Load’ position (fig.5) for more controlled pressing with full load capacity.

Note: The ‘Quick Without Load’ setting will only operate to approximately 5tonne of load. Monitor the pressure gauge during operation to ensure that the rated capacity of the press is not exceeded.

6.1.4. When work is complete turn the release valve anti-clockwise (fig.5) to release the pressure. The piston and the ram head will retract automatically.

Note: Always keep the ram head retracted after use.



7. MAINTENANCE

Note: Maintenance and repair must only be carried out by qualified person. Contact your Sealey dealer for details.

- 7.1. Always keep the press clean, dry and lubricate all moving parts at regular intervals.
- 7.2. When not in use always store in a dry location with the ram head retracted.
- 7.3. Should you need to check or replace oil ensure the ram head is fully retracted. Remove the oil reservoir filler plug and top up using Sealey hydraulic jack oil (Sealey ref: HJO500MLS or HJO5LS). **DO NOT** use brake fluid. After filling purge the system to remove any air.



ENVIRONMENT PROTECTION

Recycle unwanted materials instead of disposing of them as waste. All tools, accessories and packaging should be sorted, taken to a recycling centre and disposed of in a manner which is compatible with the environment. When the product becomes completely unserviceable and requires disposal, drain any fluids (if applicable) into approved containers and dispose of the product and fluids according to local regulations.

Note: It is our policy to continually improve products and as such we reserve the right to alter data, specifications and component parts without prior notice.

Important: No Liability is accepted for incorrect use of this product.

Warranty: Guarantee is 12 months from purchase date, proof of which is required for any claim.

Sealey Group, Kempson Way, Suffolk Business Park, Bury St Edmunds, Suffolk. IP32 7AR



01284 757500



01284 703534



sales@sealey.co.uk



www.sealey.co.uk