

Thank you for purchasing a Sealey product. Manufactured to a high standard this product will, if used according to these instructions and properly maintained, give you years of trouble free performance.



**IMPORTANT: PLEASE READ THESE INSTRUCTIONS CAREFULLY. NOTE THE SAFE OPERATIONAL REQUIREMENTS, WARNINGS & CAUTIONS. USE THIS PRODUCT CORRECTLY AND WITH CARE FOR THE PURPOSE FOR WHICH IT IS INTENDED. FAILURE TO DO SO MAY CAUSE DAMAGE AND/OR PERSONAL INJURY AND WILL INVALIDATE THE WARRANTY. PLEASE KEEP INSTRUCTIONS SAFE FOR FUTURE USE.**

## 1. SAFETY INSTRUCTIONS

### 1.1 GENERAL SAFETY

- ✓ Familiarise yourself with this products application and limitations, as well as the specific potential hazards peculiar to the press.
- ✓ Maintain the press in good condition (use an authorised service agent).
- ✓ Replace or repair damaged parts. *Use recommended parts only. Non authorised parts may be dangerous and will invalidate the warranty.*
- ✓ Keep the press clean for best and safest performance.
- ✓ Locate the press in a suitable working area for its function, keep area clean, tidy, free from unrelated materials and ensure there is adequate lighting.
- ✓ Ensure the workpiece is correctly secured before operating the press.
- WARNING!** Always wear approved eye or face protection when operating the press.
- ✓ Remove ill fitting clothing. Remove ties, watches, rings, loose jewellery and contain long hair.
- ✓ Keep hands and body clear of the work table when operating the press.
- ✓ Maintain correct balance and footing. Ensure the floor is not slippery and wear non-slip steel toe-capped shoes/boots.
- ✓ Keep children and unauthorised persons away from the working area.
- x **DO NOT** operate the press if any parts are missing as this may cause failure and/or possible personal injury.
- x **DO NOT** use to compress springs or any other item that could disengage and cause a potential hazard.
- x **DO NOT** stand directly in front of the loaded press and never leave a loaded press unattended.
- x **DO NOT** use the press for any purpose other than that for which it is designed.
- x **DO NOT** make any modifications to the press.
- x **DO NOT** adjust or tamper with the safety valve.
- x **DO NOT** exceed the rated capacity of the press.
- x **DO NOT** apply off-centre loads.
- x **DO NOT** allow the workpiece or the press plates to fall from the work table.
- x **DO NOT** get the press wet or use in damp or wet locations or areas where there is condensation.
- x **DO NOT** operate the press when you are tired or under the influence of alcohol, drugs or intoxicating medication.
- ✓ When not in use, release pressure from the hydraulic unit and clean the press. Stand or store the anvil "V" blocks in a safe location.
- WARNING!** Always position the press against a wall. If the press is situated in the open workshop, it is essential that a guard be placed at the rear of the unit. This will prevent injury to bystanders in the event of the workpiece ejecting suddenly.
- WARNING!** The warnings, cautions and instructions in this manual cannot cover all possible conditions and situations that may occur. It must be understood by the operator that common sense and caution are factors which cannot be built into this product, but must be applied by the operator.
- ▲ **DANGER!** When lifting or moving the assembled press, it is recommended that it is transported by two people.

## 2. INTRODUCTION & SPECIFICATIONS

### 2.1 INTRODUCTION

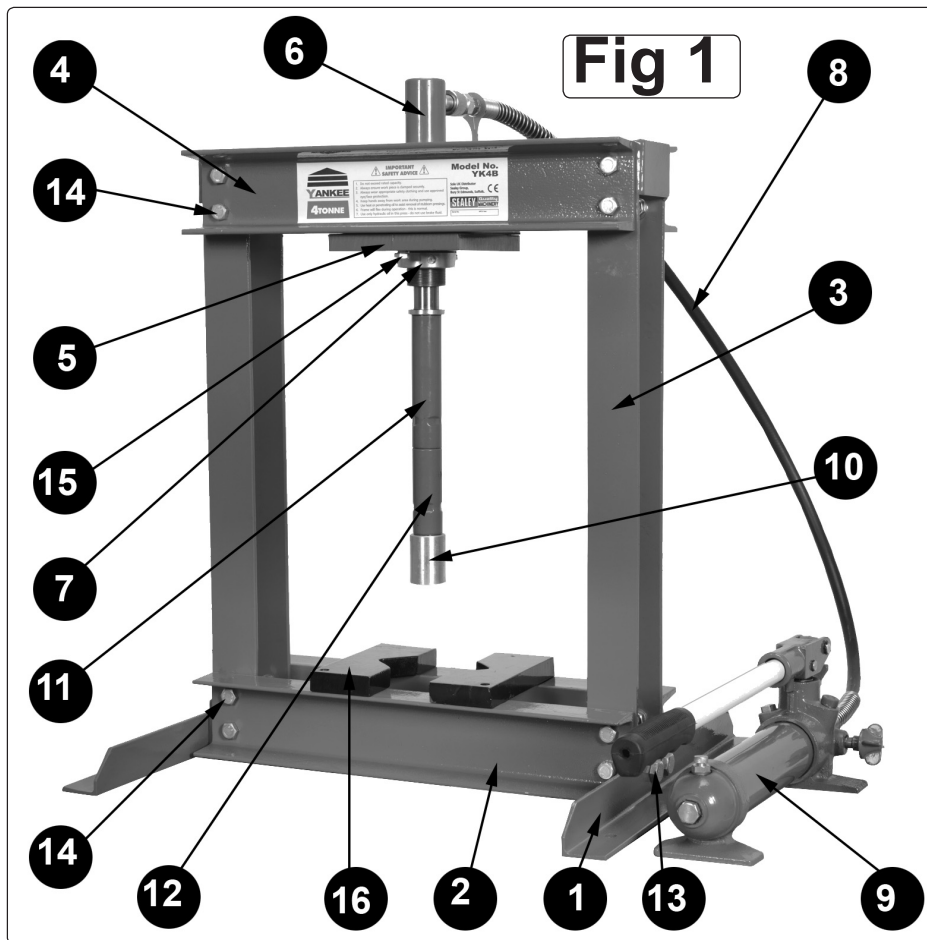
Economic versatile engineered press, suitable for the serious enthusiast and the occasional professional user. Made from cold rolled steel and fabricated mild steel sections, with a powder coated paint finish. Bolted construction.

### 2.2 SPECIFICATIONS:-

Model:	YK4B
Bench or Floor Mounting	Bench
Type:	Hydraulic
Capacity:	4tonne
Ram Stroke:	120mm
Ram Ø:	20mm
Maximum Height - Ram to Table:	330mm
Minimum Height - Ram to Table:	115mm
Table Aperture:	70mm
Work Table Depth:	135mm
Work Table Width:	335mm
Overall Height:	660mm
Gauge Included:	No
Weight:	31kg



### 3. ASSEMBLY

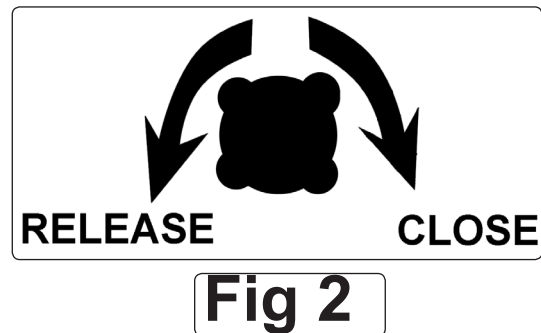


#### 3.1 ASSEMBLY

3.1.1 Unpack product and check contents against list below. Should there be any damaged or missing parts contact your supplier immediately. Refer to the appropriate parts diagram as a guide to assembly, read all notes prior to assembly.

#### 3.1.2 Contents:

Item No.	Description	Qty
1	Feet (RSA)	2
2	Base Channel (RSC)	2
3	Vertical (Fabrication)	2
4	Top Channel (RSC)	2
5	Ram Mtg Plate	1
6	Ram (sub assembly)	1
7	Ram Collar	1
8	Hydraulic Hose	1
9	Pump c/w lever (loose)	1
10	Ram Mandrel	1
11	Spacer Short c/w snap ring	1
12	Spacer Long c/w snap ring	1
13	M12 Screws c/w washers	4
14	M10 Screws c/w washers	16
15	M8 Screws c/w washers	2
16	Anvil "V" Blocks (loose)	2



3.1.3 Identify and lay out parts. On a firm level surface, assemble main frame items (1 to 5) with associated fixings, items (13 - 15). **DO NOT** fully tighten fixings at this assembly stage.

3.1.4 Ensure vertical members item 3 are vertical in both planes and bottom channels item 2 are horizontal; tighten fixings in feet item 1. Ensure top channels are horizontal in both planes and tighten fixings in vertical members item 3 and item 5. Fit remaining items.

3.1.5 Securely attach the press to a flat, firm, level surface taking into account clearance for working pieces. Should you wish to mount a bench press on a workbench or surface, ensure the bench is flat and level and is strong enough to support the press and any work piece during operation. Similarly attach the hand lever pump assembly securely in desired sound location.

3.1.6 Once installed, screw the pump lever into the pump arm.

**WARNING!** Observe 'safe handling practices' by using two people to position the press.

3.1.7 Place v-blocks on work table ready for use. Take care to ensure the v-blocks do not fall from the work table. Select either Item 11 or 12 or both depending upon press clear opening height required. Spacers coupled simply and held by snap ring in spacer spigot.

3.1.8 Before operating the press, purge the hydraulic system in order to eliminate any air that may have built up during transit. Open the release valve (Fig 2) and pump the handle several times (suggested 20 times). Should the system malfunction at any time, repeating this process may resolve the problem. If not refer to Maintenance heading 5.

## 4. OPERATING

**WARNING!** Before use, ensure that you have read, understood and apply Section 1 safety instructions.

- ▲ **DANGER!** The press is purpose designed to withstand greater loads than the hydraulic unit can develop. For safety reasons, always ensure the workpiece is secured on the work table to ensure loads that flex will not suddenly "give" causing danger to operator or damage to component. Ensure you have read and understood Section 1 safety instructions.

### 4.1 OPERATING

- 4.1.1 Place the "V" blocks (item 16) onto the work table, then place workpiece onto the "V" blocks **Note:** Care must be taken to ensure that the "V" blocks do not fall from the work table. If necessary hold the configuration in position with clamps.
- 4.1.2 Turn control valve knob clockwise to close valve.
- 4.1.3 Pump handle to apply load to the workpiece.
- ☐ **WARNING! DO NOT** apply off-centre loads.
- 4.1.4 When work is done, stop pumping the handle. Slowly and carefully release load from workpiece by turning control valve knob counter clockwise, in small increments.  
**Note:** Always keep the hydraulic unit fully retracted after use to avoid ram corrosion.
- 4.1.5 Once the hydraulic unit has been fully retracted, remove the workpiece from the press.

## 5. MAINTENANCE

**Note:** Maintenance and repair must only be carried out by a qualified person. Contact your Sealey dealer for details.

- 5.1 Always keep the press clean, dry and lubricate all moving parts at regular intervals.
- 5.2 When not in use always store in a dry location with the hydraulic unit fully retracted.
- 5.3 Should you need to check or replace oil, ensure the hydraulic unit is fully retracted. Remove the oil reservoir filler plug and top up using Sealey hydraulic jack oil (Sealey Part No's: HJO500MLS/HJO5LS). **DO NOT** use brake fluid. After filling, purge the system as described in Section 3.7 to remove any air.

Parts support is available for this product.

To obtain a parts list and diagram please log on to [www.sealey.co.uk](http://www.sealey.co.uk), email [sales@sealey.co.uk](mailto:sales@sealey.co.uk) or phone 01284 757500

**IMPORTANT: NO RESPONSIBILITY IS ACCEPTED FOR INCORRECT USE OF THE PRESS.**

Hydraulic products are only repaired by local service agents. We have service/repair agents in all parts of the UK.

**DO NOT RETURN PRODUCT TO US.** Please telephone us on 01284 757500 to obtain the address and phone number of your local agent.

If product is under guarantee please contact your dealer.

### De-commissioning Product

Should the product become completely unserviceable and require disposal, draw off the oil into an approved container and dispose of the product and the oil according to local regulations.

**NOTE:** It is our policy to continually improve products and as such we reserve the right to alter data, specifications and component parts without prior notice.

**IMPORTANT:** No liability is accepted for incorrect use of product.

**WARRANTY:** Guarantee is 12 months from purchase date, proof of which will be required for any claim.

**INFORMATION:** For a copy of our latest catalogue and promotions call us on 01284 757525 and leave your full name and address, including postcode.



Sole UK Distributor, Sealey Group,  
Kempson Way, Suffolk Business Park,  
Bury St. Edmunds, Suffolk,  
IP32 7AR



01284 757500



01284 703534



[www.sealey.co.uk](http://www.sealey.co.uk)



[sales@sealey.co.uk](mailto:sales@sealey.co.uk)