

SEALEY

AIR OPERATED TROLLEY JACK 35/50TONNE

MODEL NO: YAJ35B, YAJ50B

Thank you for purchasing a Sealey product. Manufactured to a high standard, this product will, if used according to these instructions, and properly maintained, give you years of trouble free performance.

IMPORTANT: PLEASE READ THESE INSTRUCTIONS CAREFULLY. NOTE THE SAFE OPERATIONAL REQUIREMENTS, WARNINGS & CAUTIONS. USE THE PRODUCT CORRECTLY AND WITH CARE FOR THE PURPOSE FOR WHICH IT IS INTENDED. FAILURE TO DO SO MAY CAUSE DAMAGE AND/OR PERSONAL INJURY AND WILL INVALIDATE THE WARRANTY. KEEP THESE INSTRUCTIONS SAFE FOR FUTURE USE.



Refer to instructions



Wear safety footwear



Wear protective gloves

1. SAFETY

- ✗ Use jack only in accordance with this instruction manual.
- ✓ It is necessary that the operator can watch the lifting device and the load during all movements.
- ✓ The operator shall be provided with all the necessary information about training and about pumping and translating forces.
- ✓ Ensure the jack is in sound condition and good working order. Take action for immediate repair or replacement of damaged parts. Use genuine parts only. **DO NOT** modify the jack.
The use of non-genuine parts may be dangerous and will invalidate the warranty.
- ✓ Locate the jack in a suitable, well lit working area.
- ✓ Keep working area clean and tidy and free from unrelated materials. Use jack on level and solid ground, preferably concrete. Avoid tarmac/adam as jack may sink in.
- ✓ Chock wheels of vehicle.
- ✓ Ensure the vehicle handbrake is engaged, engine is switched off and transmission is in gear (or "PARK" if automatic).
- ✓ Ensure minimum distance of 0.5m between vehicle and static objects such as doors, walls, etc. to allow for vehicle tilting.
- ✓ Ensure all non-essential persons keep a safe distance whilst the jack is in use.
- ✓ Ensure there are no passengers in the vehicle.
- ✓ The operator of the jack must watch the jack and the load during all movements.
- ✓ Place jack under only those lifting points recommended by vehicle manufacturer (see vehicle handbook).
- ✓ Check that the lifting point is stable and centred on the jack saddle.
- ✓ Ensure the jack wheels are free to move and that there are no obstructions.
- ▲ **DANGER:** Use the jack for lifting only, **NOT** for supporting the lifted load.
- ✓ Ensure there are no persons or obstructions beneath the vehicle before lowering.
- ✓ Use suitable axle stands under the vehicle before proceeding with any task.
- ✓ Use a qualified person to lubricate and maintain the jack.
- ✓ Ensure that only hydraulic jack oil is used in the jack.
- ✗ **DO NOT** operate the jack if damaged.
- ✗ **DO NOT** allow untrained persons to operate the jack.
- ✗ **DO NOT** operate the jack when tired or under the influence of drugs, alcohol or intoxicating medication.
- ✗ **DO NOT** exceed the rated capacity of the jack.
- ✗ **DO NOT** allow the vehicle to move during lifting or lowering, or use the jack to move the vehicle.
- ✗ **DO NOT** jack vehicle if there is a risk of spillage of fuel, battery acid, or other dangerous substances.
- ✗ **DO NOT** work under the vehicle until appropriately rated axle stands have been correctly positioned.
- ✗ **DO NOT** use the jack for purposes other than that for which it is intended.
- ✗ **DO NOT** top up hydraulic system with brake fluid. Use hydraulic jack oil only. (Sealey Part No: HJO500MLS or HJO5LS)
- ✗ **DO NOT** adjust the safety overload valve.
- ✓ When not in use store jack, fully lowered, in a safe, dry, childproof area.
- ✗ **DO NOT** snatch the hose from the air supply, and **DO NOT** direct air from the air hose at yourself or others.
- **WARNING!** Turn off air supply and de-pressurise the control nozzle before removing the pump unit from any installation or mobile system.
- **WARNING! DO NOT** work on, or under, a vehicle which is supported only by a jack (or jacks) - always use axle stands
- ✓ Failure to comply with this instruction may damage the unit and will invalidate your warranty.

2. INTRODUCTION

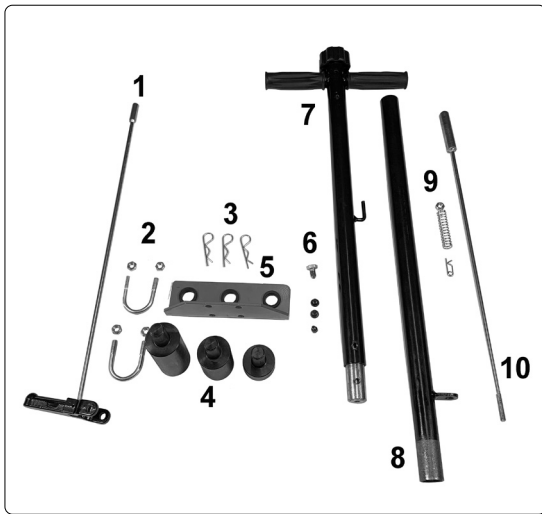
Ideal for workshop or roadside use, these jacks take the effort out of lifting heavy plant, tractors and commercial vehicles. For extra safety, features dead man's handle which also aids controlled lowering speed. Supplied with extensions that close the gap between the saddle of the jack and the jacking point. A comprehensive range of nine models, see logo beside each jack for main features and the table beside for detailed specification.

3. SPECIFICATION

Model no	YAJ35B	YAJ50B
Air consumption	9.5cfm	9.5cfm
Capacity	35 Tonne	50 Tonne
Extensions	20/60/100mm	20/60/90mm
Maximum Height (inc. Extension)/Capacity-Stage 1 (mm/tonne):	554mm	555mm
Maximum Height (inc. Extension)/Capacity-Stage 2 (mm/tonne):	594mm	595mm
Maximum Height (inc. Extension)/Capacity-Stage 3 (mm/tonne):	634mm	625mm
Minimum Saddle Height:	264mm	288mm
Piston stroke	148mm	155mm
Screw extension	125mm	121mm
Working pressure:	109-123psi	109-123psi

Applicable standard EN1494

4. CONTENTS

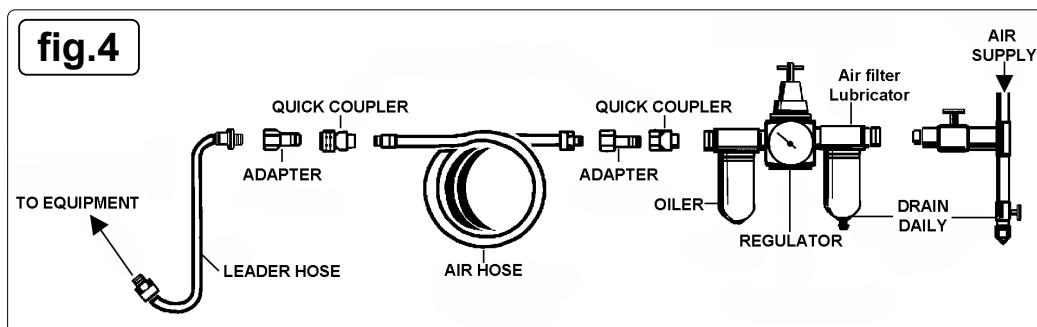
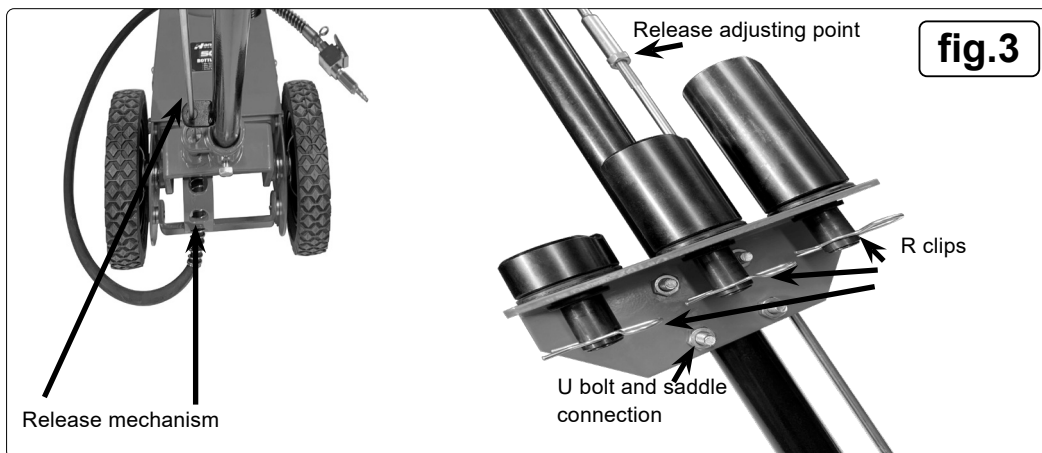
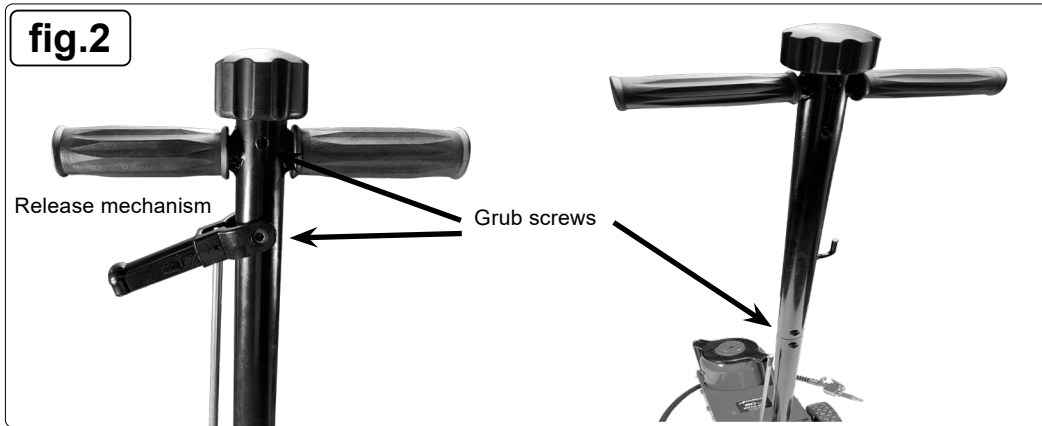


Number	Component
1	Handle release mechanism
2	"U" Bolts and nuts
3	"R" Clips
4	Saddles
5	Hight extension bracket
6	Grub screws and handle retaining bolt
7	Upper handle and control valve
8	Lower handle
9	Lower release spring, nut and clip
10	Lower handle release mechanism

5. ASSEMBLY

- 5.1. Insert handle into handle connection point and insert the handle release mechanism with retaining spring, secure with grub screw and R clip and bottom retaining bolt. (See fig.1).
- 5.2. Secure the upper parts of the handle and release mechanism with the grub screws and nut provided (fig.2).
- 5.3. Check operation of the release valve and handle release operation (adjust if required) (fig.3).
- 5.4. Install the high extension bracket with the two U bolts and nuts provided. Then install the saddles and retain with R clips provided (fig.3).
- 5.5. Connect air supply





6. PREPARATION

- 6.5.1. Test jack if efficiency is poor carry out the following:
- Check oil level:** open release valve (not more than three turns) and press down on saddle to ensure piston is fully down, then remove filler plug. Oil should be level with bottom of filler hole. Fill as necessary and replace plug.
 - Bleed system:** With release valve open, operate the manual pump for three strokes to bleed any air from the system. Close release valve.
 - Lubricate:** Oil the pivots of the manual pump mechanism and the screw thread of the saddle post. Put two or three drops of air tool oil into the inlet of the air valve. Connect to air supply and operate for three seconds to distribute lubricant. (fig.4)
 - Air supply:** an air in-line filter is recommended (fig.4).
- 6.1. You will require the air pressure detailed in the Specification section, to get the best performance from this jack.
- ❑ **WARNING!** Ensure the air supply does not exceed the stated maximum pressure while operating the jack. Too high an air pressure and unclean air will shorten the product's life due to excessive wear, and may be dangerous causing possible damage and personal injury.
- Drain the air tank daily. Water in the air line will damage the jack.
 - Clean the air inlet filter screen weekly.
 - Keep the air hose between the compressor and the air jack as short as possible, and install an air filter and oiler (fig.4).
 - Line pressure should be increased to compensate for unusually long air hoses (over 8 metres). The minimum hose diameter should be 3/8" I.D. and fittings must have the same inside dimensions.
 - Keep hose away from heat, oil and sharp edges. Check hoses for wear, and make certain that all connections are secure.

7. OPERATION

- 7.6.1. **RAISING**
- 7.6.2. Ensure compliance with all safety instructions - section 1 Safety.
- 7.6.3. Check that release valve is closed.
- 7.6.4. Position jack so that saddle is under vehicle jacking point. If necessary screw up saddle to just below jacking point. **DO NOT** use handle in the release valve to move jack - damage will result.
- 7.6.5. Press the air valve trigger to raise, release trigger to stop. Alternatively use the handle to operate the manual pump.
- 7.6.6. **Always support the jacked vehicle on axle stands before working on or under it.**
- 7.1. **LOWERING**
- 7.1.1. Check beneath vehicle for any obstructions and remove axle stands.
- 7.1.2. **Slowly** open release valve with handle and control the rate of descent by smoothly opening or closing the valve.
- 7.1.3. **Note:** The release valve should not be closed abruptly (except in an emergency) since this shock loads the hydraulic system.
- 7.1.4. After use jack should be stored with the piston and the manual pump socket both fully down.

8. MAINTENANCE

- 8.1.1. Clean and lubricate on a regular basis.
- 8.1.2. Regularly check oil level via filler hole. With piston fully down remove filler plug, oil should be level with bottom of filler hole. Top-up as necessary. Use a good quality jack oil such as Sealey Hydraulic Jack Oil. **Do not use brake fluid.**
- 8.1.3. Annual oil replacement is recommended for jacks in daily use. Remove filler plug and release valve, place jack on its side and allow to drain. Replace release valve and refill with oil. Bleed system as in para. 4.3.1.(b), re-check level and replace filler plug.
- 8.1.4. Ensure no dirt enters hydraulic system when draining, filling or removing/replacing components.
- 8.1.5. Always dispose of waste oil safely and legally. If in doubt consult your local authority.
Owing to their size and weight, hydraulic products should ideally be repaired by local service agents. we have service / repair agents in most parts of the UK. Before returning your product please call our technical helpline on **01284 757505** for advice and trouble shooting guidance.
If the jack is under guarantee please contact your dealer.

9. TROUBLESHOOTING

Jack will not lift load.	1. Release valve not fully closed. 2. Oil level low. 3. Air supply low.	1. Close valve firmly. 2. Top-up to correct level. 3. Min. requirement 3cfm @ 90psi.
Jack will not hold load.	1. Release valve not fully closed.	1. Close valve firmly.
Jack will not lift smoothly or to full height.	1. Oil level low. 2. Air in hydraulic system.	1. Top-up to correct level. 2. Bleed system - see para 5.1(b).
Jack will not lower completely.	1. Release valve not sufficiently open.	1. Slowly open valve further.



ENVIRONMENT PROTECTION

Recycle unwanted materials instead of disposing of them as waste. All tools, accessories and packaging should be sorted, taken to a recycling centre and disposed of in a manner which is compatible with the environment. When the product becomes completely unserviceable and requires disposal, drain any fluids (if applicable) into approved containers and dispose of the product and fluids according to local regulations.

Note: It is our policy to continually improve products and as such we reserve the right to alter data, specifications and component parts without prior notice.

Important: No Liability is accepted for incorrect use of this product.

Warranty: Guarantee is 12 months from purchase date, proof of which is required for any claim.



REGISTER YOUR PURCHASE HERE

Sealey Group, Kempson Way, Suffolk Business Park, Bury St Edmunds, Suffolk. IP32 7AR

01284 757500

sales@sealey.co.uk

www.sealey.co.uk