



3 TONNE CROSS BEAM ADAPTOR 4X4

MODEL NO: **X137**

Thank you for purchasing a Sealey product. Manufactured to a high standard, this product will, if used according to these instructions, and properly maintained, give you years of trouble free performance.

IMPORTANT: PLEASE READ THESE INSTRUCTIONS CAREFULLY. NOTE THE SAFE OPERATIONAL REQUIREMENTS, WARNINGS & CAUTIONS. USE THE PRODUCT CORRECTLY AND WITH CARE FOR THE PURPOSE FOR WHICH IT IS INTENDED. FAILURE TO DO SO MAY CAUSE DAMAGE AND/OR PERSONAL INJURY AND WILL INVALIDATE THE WARRANTY. KEEP THESE INSTRUCTIONS SAFE FOR FUTURE USE.



Refer to instruction manual



Wear protective footwear

1. SAFETY

- ✓ Refer to the Safety Precautions supplied with your jack.
- ✓ Use jack in an adequate working area for its function, keep area clean & tidy and free from unrelated materials. Ensure there is adequate lighting.
- ✓ Before use ensure the weight does not exceed the capacity of the jack.
- ✓ Ensure that the cross beam adaptor is complete and all components are in good working order.
- ✓ Keep all unauthorised persons away during lifting and lowering.
- ✓ Maintain correct balance and footing, wear non slip steel toe capped shoes.
- ✓ Remove ill fitting clothing, ties, watches, rings, loose jewellery, and contain and/or tie back long hair.
- ✓ Ensure the vehicle handbrake is engaged and the transmission is in 1st gear or reverse.
- ✓ Ensure a minimum distance of 500mm between vehicle and walls, doors etc..
- ✓ Only place the cross beam adaptor under those lifting points recommended by the vehicle manufacturer.
- ▲ **DANGER! The cross beam adaptor is for lifting and lowering only. Axle stands MUST support vehicle during servicing.**
- ✗ **DO NOT** exceed the rated capacity of the adaptor or jack.
- ✗ **DO NOT** allow untrained persons to operate the adaptor or jack.
- ✗ **DO NOT** place any part of your body within or under the vehicle during lifting or lowering.
- ✗ **DO NOT** work beneath vehicle until axle stands are correctly positioned.
- ✗ **DO NOT** operate equipment when tired, under the influence of alcohol, drugs or intoxicating medication.
- ✗ **DO NOT** use the cross beam adaptor for purposes other than that for which it is designed.
- ✗ **DO NOT** make any modifications to the adaptor.
- ✓ After use clean all parts and store in a safe and dry child proof location.

2. INTRODUCTION

Quickly and safely overcomes the awkward job of lifting 4x4 vehicles with offset differentials. Simply remove the existing trolley jack saddle, replace with cross beam adaptor, fit the jack saddle into the hole in the adaptor* and you are ready to lift. Suitable for jacks with a 30mm spigot pin. *Note: Remove any rubber jack pad from the saddle before using to improve safety.

3. SPECIFICATION

Model No:.....**X137**
 Applications:.....3000CXD, 3010CX
 Maximum Height:230mm
 Minimum Height:140mm
 Screw Adjustment:90mm

4. ASSEMBLY

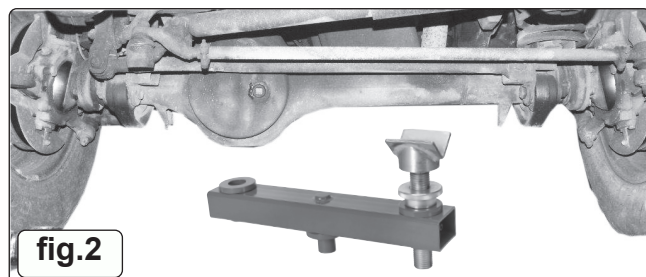
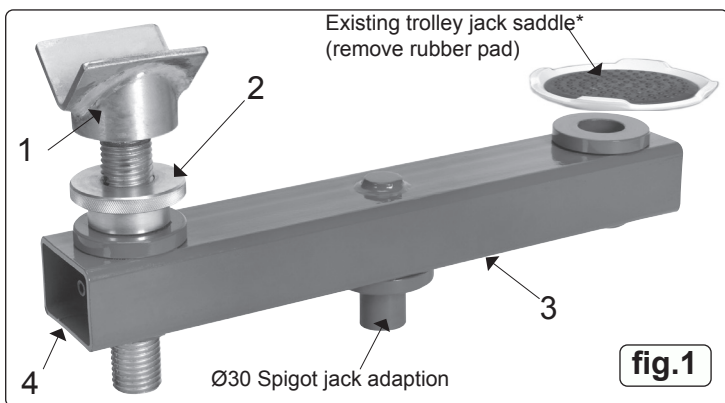
- 4.1. Unpack the product and check contents. Should there be any damaged or missing parts contact your supplier immediately.
- 4.2. Wind the knurled thumb nut (item 2) on to the threaded yoke (item 1) with knurled shoulder uppermost as in fig.1.
- 4.3. Look for the keyway slot in threaded yoke and align with the tapped hole in end of load beam (item 3).
- 4.4. Screw the cap screw in toward the threaded yoke keyway slot without clamping. This screw keeps the yoke 'v' on the axis of the beam.



5. OPERATION

- 5.1. Remove trolley jack saddle from jack and the rubber pad from the saddle.
- 5.2. Place the assembled beam as shown in fig.1 on to the jack spigot hole.
- 5.3. Position the assembly beneath the vehicle axle as fig.2. Keeping the beam horizontal, jack the saddle up to the differential casing. Adjust yoke height to engage with back axle housing for smooth lifting.
- 5.4. Raise vehicle to required height and immediately position axle stands to support vehicle during servicing. **(See safety instructions)**

- 5.5. Lower the vehicle by method 5.3. Remove axle stands and lower.
- 5.6. After use, clean with a lightly oiled cloth with attention to M30 thread.



ENVIRONMENT PROTECTION

Recycle unwanted materials instead of disposing of them as waste. All tools, accessories and packaging should be sorted, taken to a recycling centre and disposed of in a manner which is compatible with the environment. When the product becomes completely unserviceable and requires disposal, drain any fluids (if applicable) into approved containers and dispose of the product and fluids according to local regulations.



REGISTER YOUR PURCHASE HERE

Note: It is our policy to continually improve products and as such we reserve the right to alter data, specifications and component parts without prior notice.

Important: No Liability is accepted for incorrect use of this product.

Warranty: Guarantee is 12 months from purchase date, proof of which is required for any claim.

Sealey Group, Kempson Way, Suffolk Business Park, Bury St Edmunds, Suffolk. IP32 7AR



01284 757500



sales@sealey.co.uk



www.sealey.co.uk