

Thank you for purchasing a Sealey product. Manufactured to a high standard, this product will, if used according to these instructions, and properly maintained, give you years of trouble free performance.

**IMPORTANT:** PLEASE READ THESE INSTRUCTIONS CAREFULLY. NOTE THE SAFE OPERATIONAL REQUIREMENTS, WARNINGS & CAUTIONS. USE THE PRODUCT CORRECTLY AND WITH CARE FOR THE PURPOSE FOR WHICH IT IS INTENDED. FAILURE TO DO SO MAY CAUSE DAMAGE AND/OR PERSONAL INJURY AND WILL INVALIDATE THE WARRANTY. KEEP THESE INSTRUCTIONS SAFE FOR FUTURE USE.



Refer to instruction manual



Wear safety footwear

### 1. SAFETY

- ✓ Ensure that the cross beam adaptor is in good working order. Take action for immediate repair or replacement of damaged parts. *Use genuine parts only. The use of unauthorised parts may be dangerous and will invalidate the warranty.*
- ✓ Keep work area clean and tidy and free from unrelated materials.
- ✓ Ensure the vehicle handbrake is engaged, engine/motor is switched off and transmission is in 1st or reverse gear.
- ✓ Ensure minimum distance of 0.5m between vehicle and static objects such as doors, walls, etc., to allow for vehicle tilting.
- ✓ Only place the cross beam adaptor under those lifting points recommended by the vehicle manufacturer (*see vehicle handbook*).
- ✓ Ensure there are no passengers in the vehicle.
- ✓ Ensure all non-essential persons keep a safe distance whilst the the cross beam adaptor is in use.
- ▲ **DANGER:** Use the the cross beam adaptor for lifting only, **NOT** for supporting the lifted load.
- ✓ Use suitable capacity axle stands under the vehicle before proceeding with any task.
- ✓ Ensure there are no persons or obstructions beneath the vehicle before lowering.
- ✗ **DO NOT** allow untrained persons to operate the cross beam adaptor.
- ✗ **DO NOT** exceed the rated capacity of the cross beam adaptor.
- ✗ **DO NOT** work under the vehicle until axle stands have been correctly positioned.
- ✗ **DO NOT** use the cross beam adaptor for purposes other than that for which it is designed.
- ✗ **DO NOT** jack vehicle if there is a risk of spillage of fuel, battery acid, or other dangerous substance.
- ✓ When not in use store the cross beam adaptor in a safe, dry, childproof area.
- ☐ **WARNING!** It is **very dangerous** to go under a vehicle which is supported by a jack **even** if additional supports are used. **DO NOT** go under a vehicle unless it is supported by adequately rated axle stands.

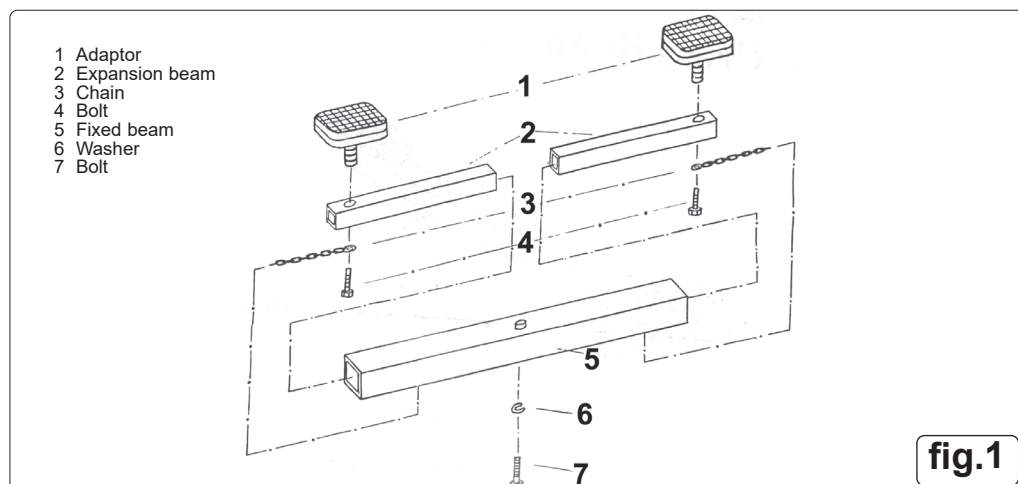
### 2. INTRODUCTION

Provides extra safety when locating awkward jacking point. Ideal for front wheel drive vehicles. Suitable for jacks with a 31-33mm saddle spigot pin.

### 3. SPECIFICATION

Model no .....X136  
Applications.....3000CXD,3010CX  
Max. width..... 820mm  
Min. width..... 580mm  
Screw adjustment..... 75mm

### 4. CONTENTS



## 5. ASSEMBLY

**Note:** Numbers shown in brackets refer to item numbers on fig.1.

### 5.1. ASSEMBLY

5.1.1. Slide the expansion beams (2) into the ends of the fixed beam (5), ensuring the threaded holes protrude from the fixed beam.

5.1.2. Screw in the adaptors (1) and secure the chains (3) using the bolts (4).

### 5.2. OPERATION

5.2.1. Remove the saddle from the jack.

5.2.2. Fit the cross beam adaptor to the jack. Secure using the bolt (7) and washer (6).

**Note:** The securing bolt can only be used on models 2080CX and 3080CX.

5.2.3. Adjust the position of the adaptors to ensure they are under the lifting points recommended by the vehicle manufacturer (see vehicle handbook), before commencing the jacking operation.

Parts support is available for this product. Please email [sales@sealey.co.uk](mailto:sales@sealey.co.uk) or telephone 01284 757500



#### ENVIRONMENT PROTECTION

Recycle unwanted materials instead of disposing of them as waste. All tools, accessories and packaging should be sorted, taken to a recycling centre and disposed of in a manner which is compatible with the environment. When the product becomes completely unserviceable and requires disposal, drain any fluids (if applicable) into approved containers and dispose of the product and fluids according to local regulations.



REGISTER YOUR PURCHASE HERE

**Note:** It is our policy to continually improve products and as such we reserve the right to alter data, specifications and component parts without prior notice.

**Important:** No Liability is accepted for incorrect use of this product.

**Warranty:** Guarantee is 12 months from purchase date, proof of which is required for any claim.

Sealey Group, Kempson Way, Suffolk Business Park, Bury St Edmunds, Suffolk. IP32 7AR



01284 757500



[sales@sealey.co.uk](mailto:sales@sealey.co.uk)



[www.sealey.co.uk](http://www.sealey.co.uk)