



# WHEEL SKATE 570KG

MODEL NO: **WS570.V2**

Thank you for purchasing a Sealey product. Manufactured to a high standard, this product will, if used according to these instructions, and properly maintained, give you years of trouble free performance.

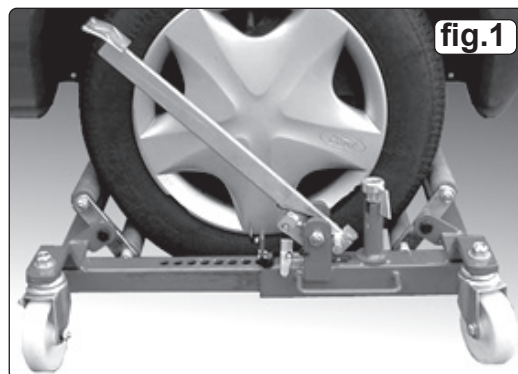
**IMPORTANT:** PLEASE READ THESE INSTRUCTIONS CAREFULLY. NOTE THE SAFE OPERATIONAL REQUIREMENTS, WARNINGS & CAUTIONS. USE THE PRODUCT CORRECTLY AND WITH CARE FOR THE PURPOSE FOR WHICH IT IS INTENDED. FAILURE TO DO SO MAY CAUSE DAMAGE AND/OR PERSONAL INJURY AND WILL INVALIDATE THE WARRANTY. KEEP THESE INSTRUCTIONS SAFE FOR FUTURE USE.



Refer to instruction manual

## 1. SAFETY

- ❑ **WARNING!** Ensure health & safety, local authority, and general workshop practice regulations are adhered to when using this equipment.
- ✓ Familiarise yourself with this products application and limitations, as well as the specific warnings below relating to their use.
- ✓ Ensure the Wheel Skates are in sound condition and good working order. Take action for immediate repair or replacement of damaged parts.
- ✓ *Use genuine parts only. The use of non-genuine parts may be dangerous and will invalidate the warranty.*
- ✓ Wheel Skates should only be used in suitable, well lit areas.
- ✓ Wheel Skates must be used in pairs at either the front or rear of the vehicle.
- ✓ Keep general area clean and tidy and free from obstructions.
- ✓ Use Wheel Skates on level and solid ground, preferably concrete.
- ✓ *Avoid tarmac/adam as Wheel Skates may sink in.*
- ✓ Keep hands and body clear of the mechanism when operating the Wheel Skates.
- ✓ Maintain the Wheel Skates in good condition (use an authorised service agent).
- ✓ Ensure there are no passengers in the vehicle.
- ✓ Ensure the Wheel Skates are free to move and that there are no obstructions in the area of use.
- ✓ When not in use store Wheel Skates in a safe, dry, childproof area.
- ✗ **DO NOT** start or drive the vehicle whilst it is raised on wheel skates.
- ✗ **DO NOT** use diagonally.
- ✗ **DO NOT** use the Wheel Skates for purposes other than which they are intended.
- ✗ **DO NOT** allow untrained persons to operate the Wheel Skates.
- ✗ **DO NOT** leave the vehicle unattended whilst it is raised on the Wheel Skates.
- ✗ **DO NOT** operate the Wheel Skates when you are tired, under the influence of alcohol, drugs or intoxicating medication.
- ✗ **DO NOT** get the Wheel Skates wet or use in damp or wet locations or areas where there is condensation.
- ✗ **DO NOT** exceed the rated capacity of the Wheel Skates. Remember that the front of a vehicle is usually heavier than the rear.
- ✗ **DO NOT** use the Wheel Skates to lift or support a vehicle in order to do work underneath it.
- ✓ Maintain correct balance and footing when moving vehicle. Ensure the floor is not slippery and wear non slip shoes.
- ✓ Ensure there are no obstructions beneath the vehicle when it is to be lowered.
- ✓ Ensure all non-essential persons keep a safe distance whilst the Wheel Skates are in use.
- ▲ **IMPORTANT** - We recommend that at least 2 persons are involved in manoeuvring the vehicle when supported on wheel skates. The vehicle's weight creates an inertia which has to be overcome to get the vehicle moving and more importantly, stopped.



## 2. INTRODUCTION

Steel chassis with pedal operated mechanical lifting action. Skate sits on easy-rolling Ø100mm nylon castor wheels. Composite rollers cradle vehicle's tyre and are capable of handling up to 240mm widths. Suitable for bodyshops, garages, showrooms or anywhere an immobile vehicle needs moving on an even surface.

**NOTE:** Skates sold as singles, but must be used in pairs.

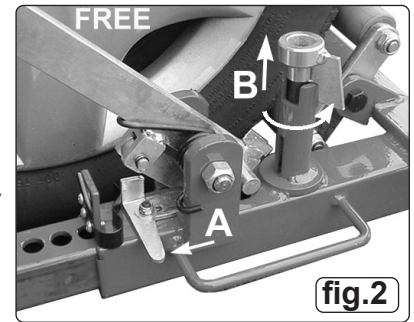
## 3. SPECIFICATION

MODEL NO: ..... WS570.V2  
 Capacity: ..... 570kg  
 Castor Diameter: ..... Ø100mm  
 Maximum Opening: ..... 620mm  
 Maximum Tyre Width: ..... 240mm

## 4. OPERATION

### 4.1. PREPARATION.

- 4.1.1. Ensure that the area where the vehicle is to be moved is clear of any obstructions. The surface should be smooth and level. Take note of any features in the floor that may catch the skate wheels such as floor mounted power and data points, room divider tracks, drainage features, or damage to the floor surface.
- 4.1.2. Enlist sufficient assistance to move the vehicle safely. Do not attempt to move the vehicle into an area where there is insufficient space for persons to manoeuvre the vehicle safely.
- 4.1.3. Prior to operation release the foot pedal from the transit hook by depressing the lever slightly and moving the hook to one side to allow the lever to rise up.
- 4.1.4. The Wheel Skates should be used as a pair. Attach to the front wheels to swing the front of the vehicle. ( Do not release the hand brake until both Skates are attached. Re-engage the handbrake immediately after the movement has been made.) Attach to the back wheels to swing the back of the vehicle. ( Ideally the front wheels should be straight.) If you intend to use two pairs of skates to move a vehicle one movement great care should be exercised in order to avoid injury to persons or property. Read the safety instructions above.



### 4.2. OPERATION

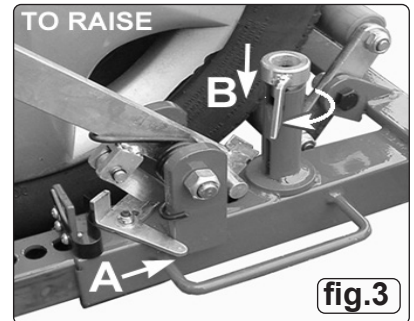
- 4.2.1. To fit a Skate to a wheel you must first disengage the ratchet and lift the locking pin.
- 4.2.2. Disengage the ratchet lever by moving it as far as it will go to the left. See fig.2 - A. (FREE)
- 4.2.3. Lift the locking pin and tab and turn it anticlockwise so that it is no longer engaged in the locking pin slot. See fig.2 - B. (FREE).

### 4.3. POSITIONING THE SKATE.

- 4.3.1. Take hold of each side of the frame and expand the unit until it is wide enough to slide (See fig.1) Make sure that both sets of rollers are centred on the tyre then push the unit together again until each pair of rollers are in contact with it.

### 4.4. RAISING A WHEEL.

- 4.4.1. Now engage the ratchet by turning the ratchet lever as far as it will go to the right. See fig.3 - A. (TO RAISE).
- 4.4.2. Engage the locking pin by turning the tab clockwise until it drops into the slot. Once in the slot the tab should be turned away from the pedal lever. See fig.3 - B. (TO RAISE).
- 4.4.3. Operate the foot pedal lever to commence raising the wheel (IMPORTANT - Allow the pedal to return through its full travel before commencing the next stroke.) 20mm clear of the ground.
- 4.4.4. Raise the second wheel off the ground with the other Skate. Be prepared for any movement the vehicle may make when the second wheel comes clear of the ground. This is particularly important when using four skates. Providing the ground/floor is level the vehicle should remain stable. ( Read safety precautions in Section 1.)

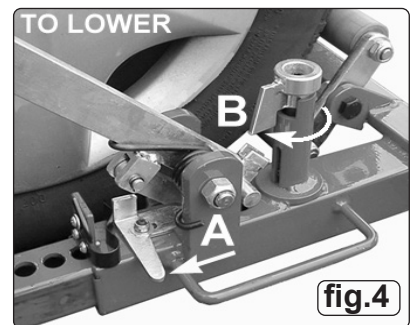


### 4.4.5. MOVING THE VEHICLE

- 4.4.6. Ensure that you have sufficient assistance to move **and control** the vehicle. Keep well away from any sloping areas or entry ramps to the area however shallow they may appear. When positioning a vehicle in relation to a wall or feature such as a pillar no persons or objects should be situated between the vehicle and the feature. Sufficient space should be left between the side of a vehicle and an adjacent wall or feature to allow the Skates to be withdrawn sideways.

### 4.5. LOWERING WHEELS

- 4.5.1. Disengage the ratchet by turning the the ratchet lever to the left. See fig.4 - A (TO LOWER)
- 4.5.2. Turn the locking pin tab clockwise in its slot so that it is in line with the small 'U' shaped channel at the bottom of the foot pedal lever. See fig.4 - B. (TO LOWER)
- 4.5.3. Operate the foot pedal lever through its full travel to commence lowering in controlled stages. The last movement of the lever will raise the locking pin (see fig.5 LOWERING) to allow the unit to open whilst the ratchet lever acts as a stop to lock the unit in the next hole down. Continue to operate the lever through its full travel, until the tyre is on the ground and no longer exerting pressure on the rollers.

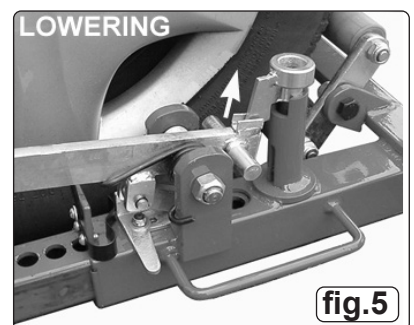


### 4.6. REMOVING THE SKATE

- 4.6.1. Lift the locking pin and tab and turn it anticlockwise until the tab is no longer engaged in the slot. The unit is now free to open.
- 4.6.2. Expand the unit sufficiently to clear the tyre and move it away from the wheel.

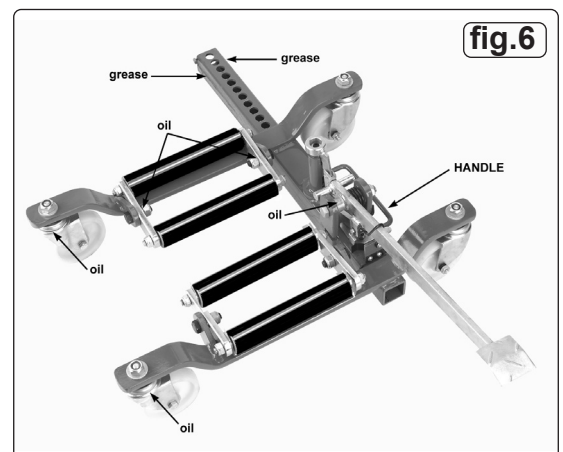
### 4.7. TO CARRY THE UNIT

- 4.7.1. With the locking pin and ratchet disengaged push the unit together as far as it will go.
- 4.7.2. Push the foot pedal down and engage the transit hook. For balanced carrying use the handle welded on the side of the square tube. (See Fig.6.)
- 4.7.3.



## 5. MAINTENANCE

- 5.1. Lubricate the wheels, roller pivots and the foot pedal lever pivot periodically with oil as shown in fig.6. Grease the four faces of the square section tube lightly as shown in fig.6 then open out the unit to its full extent and grease the faces of the tube previously hidden.





#### ENVIRONMENT PROTECTION

Recycle unwanted materials instead of disposing of them as waste. All tools, accessories and packaging should be sorted, taken to a recycling centre and disposed of in a manner which is compatible with the environment. When the product becomes completely unserviceable and requires disposal, drain any fluids (if applicable) into approved containers and dispose of the product and fluids according to local regulations.



REGISTER YOUR  
PURCHASE HERE

**Note:** It is our policy to continually improve products and as such we reserve the right to alter data, specifications and component parts without prior notice. Please note that other versions of this product are available. If you require documentation for alternative versions, please email or call our technical team on [technical@sealey.co.uk](mailto:technical@sealey.co.uk) or 01284 757505.

**Important:** No Liability is accepted for incorrect use of this product.

**Warranty:** Guarantee is 12 months from purchase date, proof of which is required for any claim.

Sealey Group, Kempson Way, Suffolk Business Park, Bury St Edmunds, Suffolk. IP32 7AR

 01284 757500

 [sales@sealey.co.uk](mailto:sales@sealey.co.uk)

 [www.sealey.co.uk](http://www.sealey.co.uk)