

Thank you for purchasing a Sealey product. Manufactured to a high standard this product will, if used according to these instructions and properly maintained, give you years of trouble free performance.

**⚠ IMPORTANT: PLEASE READ THESE INSTRUCTIONS CAREFULLY. NOTE THE SAFE OPERATIONAL REQUIREMENTS, WARNINGS & CAUTIONS. USE THE PRODUCT CORRECTLY AND WITH CARE FOR THE PURPOSE FOR WHICH IT IS INTENDED. FAILURE TO DO SO MAY CAUSE DAMAGE OR PERSONAL INJURY, AND WILL INVALIDATE THE WARRANTY. PLEASE KEEP INSTRUCTIONS SAFE FOR FUTURE USE.**

**1. CONTENTS**

	Page No.
Section 2. General . . . . .	1.
Section 2.1 Identification . . . . .	1.
Section 2.2. Technical Data. . . . .	2.
Section 3. Safety/Operational Instructions. . . . .	3.
Section 4. Maintenance/Examination/Inspection. . . . .	4.
Section 5. Assembly and storage. . . . .	4.
Section 6. Owner's & Operator's Responsibilities. . . . .	4.
Section 7. Declaration of Conformity. . . . .	4.
Section 8. Parts List/Diagrams . . . . .	5,6.

**2. GENERAL**

**2.1 Identification**  
 Supplier: Sealey Power Products,  
 Kempson Way,  
 Suffolk Business Park,  
 Bury St Edmunds,  
 Suffolk, IP32 7AR.  
 Model No: WD102, WD152, WD202



WD102

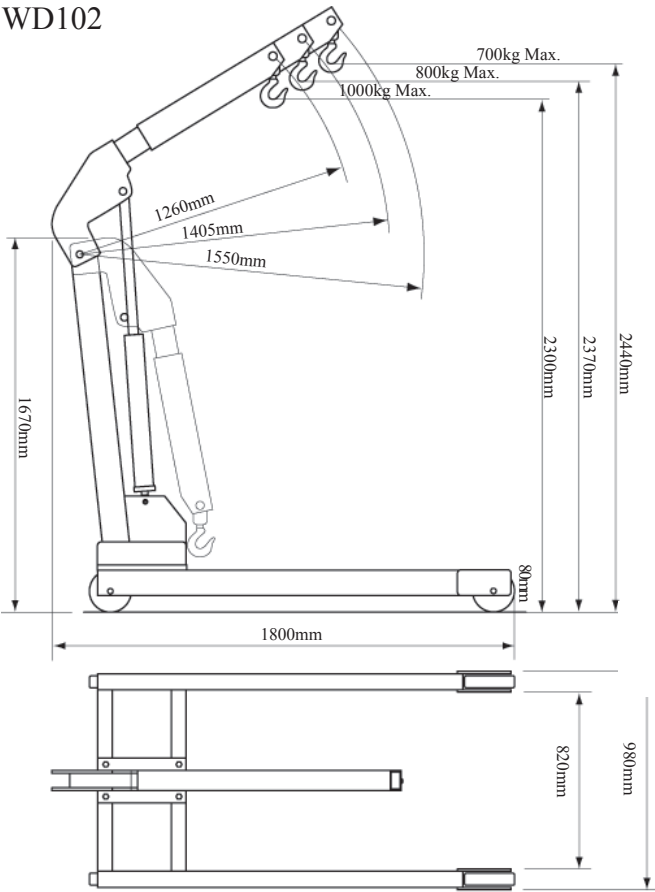


WD202

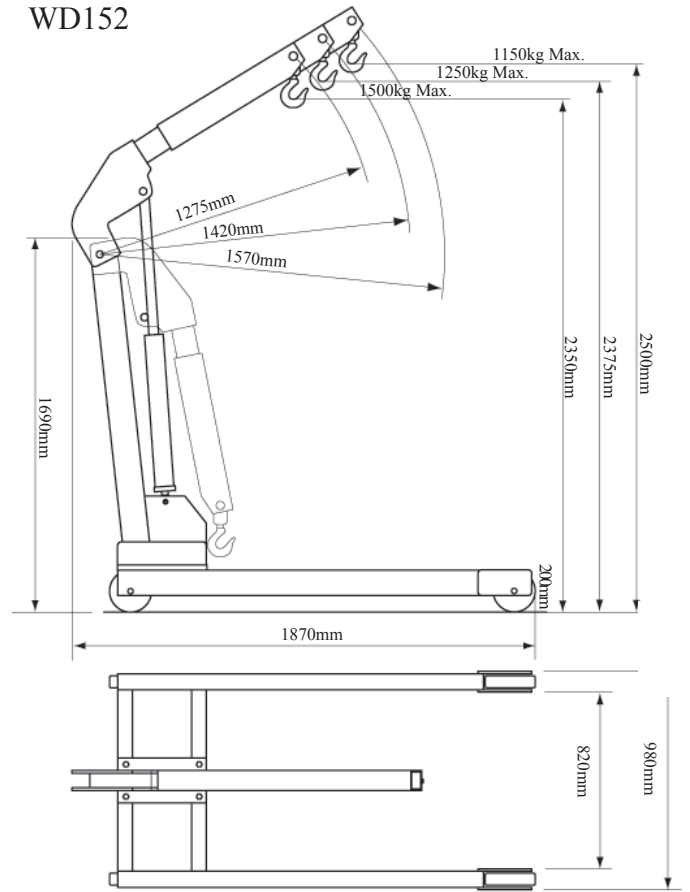


WD152

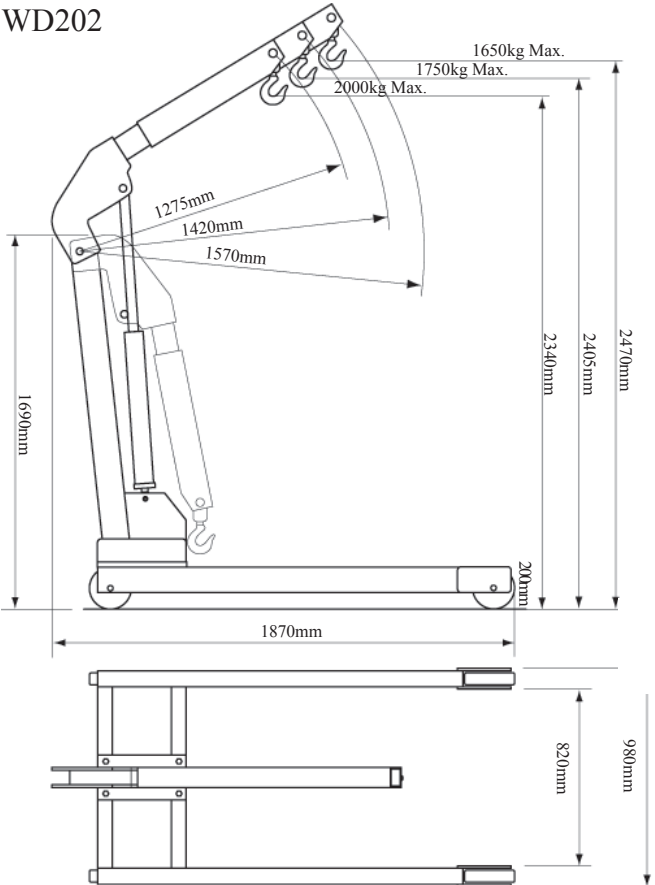
WD102



WD152



WD202



2.2 Technical Data

Rated Capacity

WD102

Safe Working Load (SWL) 1t (tested to 50% overload).  
Working Load Limit (WLL) 1t (tested to 50% overload).

WD152

Safe Working Load (SWL) 1.5t (tested to 50% overload).  
Working Load Limit (WLL) 1.5t (tested to 50% overload).

WD202

Safe Working Load (SWL) 2t (tested to 50% overload).  
Working Load Limit (WLL) 2t (tested to 50% overload).

MODEL

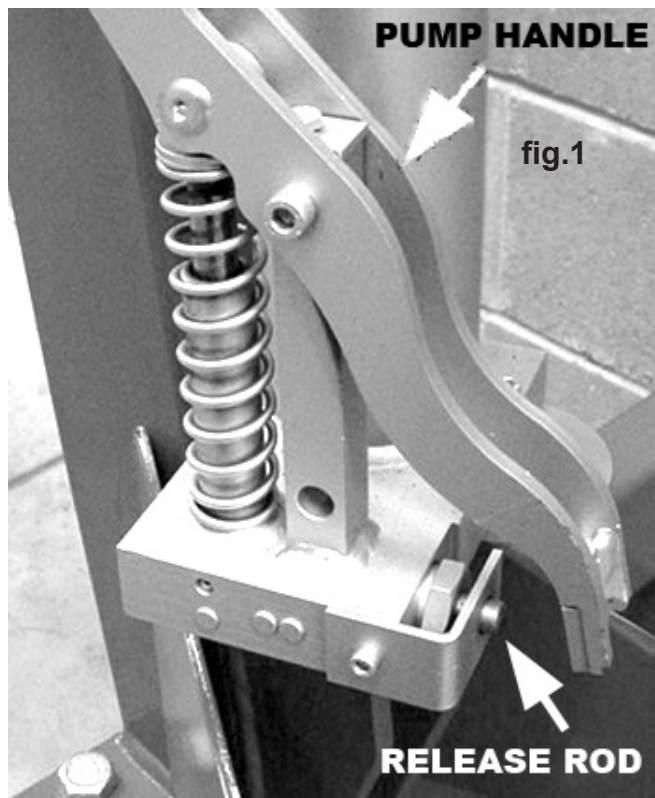
	WD102	WD152	WD202
Overall height: mm	1670	1690	1690
Max. lift @ min. jib extension: mm	2300	2350	2340
Max. lift @ max. jib extension: mm	2440	2500	2470
Length (max) of frame: mm	1800	1870	1870
Width inside frame (max): mm	820	820	820
Width (max) of frame: mm	980	980	980
Height (max) of frame base: mm	80	200	200
Weight: kg	130	150	180
Length of jib, .....1260	1260	1275	1275
Length of jib, .....1405	1405	1420	1420
Length of jib, .....1550	1550	1570	1570
Lifting capacity, Position 1: kg	1000	1500	2000
Lifting capacity, Position 2: kg	800	1250	1750
Lifting capacity, Position 3: kg	700	1150	1650

- a) Design Capability: Test Load 50% overload.
- b) For a description of in-service and out-of-service conditions see section 3 Safety, Section 4 Maintenance and Section 6.
- c) **DO NOT** operate the hydraulic power unit beyond its maximum stroke as indicated on the label.
- d) For applications see Section 3 Safety.
- e) For control system, see Fig.1 page 3 for release valve and pump handle assy. Usage is explained in Section 3.2 Operation.
- f) For ground condition requirements, see Section 3 Safety.
- g) For information on parts and materials requiring specialised repair techniques see Section 4 Maintenance.

### 3. SAFETY/OPERATING INSTRUCTIONS

#### 3.1 SAFETY

- 3 **Keep** crane, lifting slings, support and beams in good working order and condition. Follow the inspection requirements as described in Section 4 page 2 Maintenance. *Take immediate action to repair or replace damaged parts by contacting your supplier. Ensure that all accessory lifting devices are suitably certified. If crane is damaged, remove from service immediately.*
- 3 **Ensure the surface on which the crane is used is level, firm and capable of supporting the weight of the crane with maximum load - we recommend concrete. Never use the crane on tarmacadam or other soft surfaces.**
- 3 **Ensure** the crane legs and arms are locked before use.
- 3 **Keep** children and unauthorised persons away from the working area.
- ✓ Ensure the jib extension always lies flat on the arm with the head of the alignment bolt (62) showing through one of the three holes provided.
- 3 **Keep** working area clean and tidy, free from unrelated materials and ensure that there is adequate lighting.
- 3 **Ensure** that load does not exceed the maximum lifting capacity of the crane. Overloading the crane is dangerous. Where appropriate, use only the lifting points recommended by the manufacturer of the item to be lifted, e.g. vehicle engine.
- 3 **Before** lifting the load ensure that the crane jib is in the lowest practical position, that there are no obstacles which may snag the load whilst it is being lifted and that the area above the jib is clear.
- 3 **To** avoid injury, be fully aware of your own and other persons locations in relation to the lifting, and lowering, of the load.
- 3 **Keep** a sound footing and balance, and ensure the floor is not slippery.
- 3 **Ensure** jib extension locking bolt and nut are in position before lifting.
- 3 **Ensure** the centre of gravity always remains inside the crane base.
- x **DO NOT** operate the hydraulic power unit beyond its maximum stroke as indicated on the label.
- 7 **DO NOT** harness the load at an angle or use any attachments not verified as fit for purpose.
- 7 **DO NOT** allow the load to swing during lifting.
- 7 **DO NOT** allow the load to drop suddenly. Lower load with care, ensuring that you are fully aware of the condition of the surface onto which the load is to be placed.
- 7 **DO NOT** load crane beyond its rated capacity for each specified jib extension position as indicated in Section 2 page 1. The capacity of the crane reduces as the jib is extended.
- 7 **DO NOT** position any part of your body beneath the load.
- 7 **DO NOT** use the crane to move or transport a load other than for repositioning (see 3.2.f). The crane is a lifting device only.
- 7 **DO NOT** apply any sideways pressure to any part of the crane during lifting or when a load is suspended.
- 7 **DO NOT** attempt to adjust the safety valve, which has been set and sealed by the manufacturer.
- 7 **DO NOT** use this product to perform a task for which it is not designed.
- 7 **DO NOT** use whilst under the influence of drugs, alcohol or intoxicating medication.
- 7 **DO NOT** climb on the crane.
- 3 **When** not in use fold the crane down and store in a safe, dry, childproof area.
- 3 **This crane is designed for lifting within a garage or workshop environment.**
- ☐ **WARNING! Failure to heed safety and warning instructions may result in damage and/or personal injury and will invalidate the warranty.**



**NOTE: ENSURE YOU HAVE READ AND UNDERSTOOD THE SAFETY INSTRUCTIONS AT THE BEGINNING OF THIS SECTION BEFORE YOU OPERATE THE CRANE.**

#### 3.2 OPERATION. (Refer to Section 4.2 (a) regarding inspection before each and every use).

- a) Refer to the lifting capacity chart in Section 2.2. If necessary adjust the position of the jib extension to cater for the weight that is to be lifted. To adjust the jib extension lift the hook end and slide the jib in or out as required to the next position. NEVER leave the jib between positions. The jib extension should always lie flat on the arm with the head of the alignment bolt (62) showing through one of the three holes provided.
- b) Rotate the pump handle to a convenient position and commence pumping to raise the jib to the height at which load may be secured.
- c) Connect the crane hook to the load using a suitable **certified** sling or support beam. Ensure you are aware of the load weight, and check that it is within the capacity of the crane (at the jib extension you are using) and the sling or support beam. When removing engines ensure you know the weight to be lifted. Use only the lifting points recommended by the vehicle manufacturer.
- d) Lift only from directly above the load. **WARNING! DO NOT LIFT THE LOAD AT AN ANGLE!**
- e) To lower load, position handle on release valve at base of ram and turn **VERY SLOWLY anti-clockwise** avoiding any sudden movement. **WARNING!** Do not allow the load to drop suddenly.
- f) The crane is not a transportation device but may be used to reposition the load being worked on. To do so, lower load and jib with care, to the lowest possible point before attempting to move. Do not try to move crane in a sideways direction. The crane is not designed to support the load indefinitely. When you have repositioned the load, lower the load onto a secure and appropriate working base, being fully aware of your own and other persons locations in relation to the lowering load.
- g) When load has been secured, remove lifting sling, support beam etc. and place crane in a safe location with lifting beam fully lowered.

## 4. MAINTENANCE/EXAMINATION/INSPECTION

**NOTE:** The crane **MUST** be kept clean and dry and must be maintained in accordance with these instructions.

### 4.1. Lubrication.

- a) Oil all working parts monthly.
- b) The ram is filled with oil and should only require occasional topping up. DO NOT use brake fluid, as this will damage the hydraulic seals. Proceed as follows:
  - a) Use only good quality hydraulic jack oil available from your supplier.
  - b) Fully lower the jib extension arm and remove the filler plug on the ram. (See part no.5 )
  - c) Fill until oil overflows from the hole and wait until the level settles before replacing the plug.

### 4.2. Inspection and Examination of Crane Before Use.

- a) Before each use of the crane you must perform an inspection for leaks, damage, loose or missing parts.
- b) The workshop crane must be examined immediately if it has been subject to an abnormal load or shock. It is recommended that such an examination is made by an authorised service agent.
- c) The owner and/or operator must be aware that repair of this equipment will require specialised knowledge and facilities. It is recommended that an annual examination of the workshop crane is made by an authorised service agent.
- d) Unauthorised parts may be dangerous and will invalidate the warranty.

**Note!** Please see the Definition of 'inspection' and 'examination' below.

#### Inspection:

Looking at the crane for defects and checking the operation of the controls, limiting and indicating devices without loading the crane. This is much more than a check but does not normally require any part of the crane to be dismantled other than removal or opening of covers or housings.

#### Examination:

Verification that the crane can safely continue in service including a functional test of all safety devices i.e. limiting, indicating equipment, brakes, clutches, safety valves etc to verify that they operate within the required tolerances. An examination is more thorough than an inspection.

## 5. ASSEMBLY/STORAGE INSTRUCTIONS

### 5.1 ASSEMBLY.

**WARNING!** Due to their weight please ensure that there is adequate help available when assembling these cranes.

- a) **ASSEMBLY** To identify item numbers refer to the parts diagram.
- b) Remove the top and one end of the wooden transit crate and lift out the main arm and jib components.
- c) Lift and wheel the main frame out of the crate and position it in the assembly area. Chock the wheels to stop the frame moving.
- d) Take the main upright (54) (with ram attached) and place it upright onto the two cross members of the main frame. Align the footplate holes with the holes in the frame and secure with four bolts (46), four washers (45) and nuts (44).
- e) Remove the jib extension (57) from the arm (54). Lift the arm and support it over the top end of the upright. Align the pivot holes in both parts and slide the pivot bolt (53) through and secure with bolt (62).
- f) Fix a circlip (65) to one end of the pivot pin (66).
- g) Lift up the arm (54) and support it in an approximate horizontal position. Hinge the ram unit away from the upright and align the hole in the end of the ram shaft with the hole in the arm. Slide the pivot pin (66) into position and secure with the other circlip (65).
- h) Place the jib extension (57) over the arm (54) so that the head of the hex socket bolt (62) protrudes through one of the 3 holes in the top surface of the extension. Retain the jib with pin (56) which passes under the arm and secure with circlips (48).
- i) **PRIME** unit Before first use as follows:
- j) Move the pumping handle into a horizontal position and manually depress the release rod (See fig.1 ) to the bottom of its travel. Keeping the release rod depressed, pump the handle up and down 5 to 6 times. Release the rod. The crane is now ready for use.

### 5.2 STORAGE.

- a) Always store the crane fully closed so that the jib is in lowest position and the ram is closed.

## 6. OWNER'S & OPERATOR'S RESPONSIBILITIES

The owner and/or operator shall study these instructions and retain them for future use.

- a) **Understanding instructions and warnings.**  
The owner and/or operator shall understand the operating instructions and warnings before operating the crane. Warning information must be emphasised and understood.  
If the operator is not fluent in English, the product instructions and warnings must be read to, and discussed with, the operator in the operator's native language by the owner, making sure the operator understands the contents.
- b) **Damaged Cranes.**  
Any crane which appears to be damaged, badly worn, or operates abnormally **MUST BE REMOVED FROM SERVICE!**  
It is recommended that necessary repairs be made by an authorised service agent.
- c) **End of service.**  
Through years of normal wear, the crane will eventually become unserviceable. When this happens ensure the hydraulic oil is drained off and disposed of in accordance with local authority regulations.

## 7. DECLARATION OF CONFORMITY

### FIXED FRAME CRANE MODEL No: WD102, WD152, & WD202

2006/42/EC Machinery Directive  
93/68/EEC CE Marking Directive  
Health & Safety at Work Act 1974

Lifting Operations & Lifting Equipment Regulations (LOLER) 1998  
EN292-2 1991

### Declaration of Conformity:



We, the sole importer into the UK, declare that the products listed below are in conformity with the following standards and directives. The construction file for these products are held by the Manufacturer and may be inspected, by a national authority, upon request to Jack Sealey Ltd.

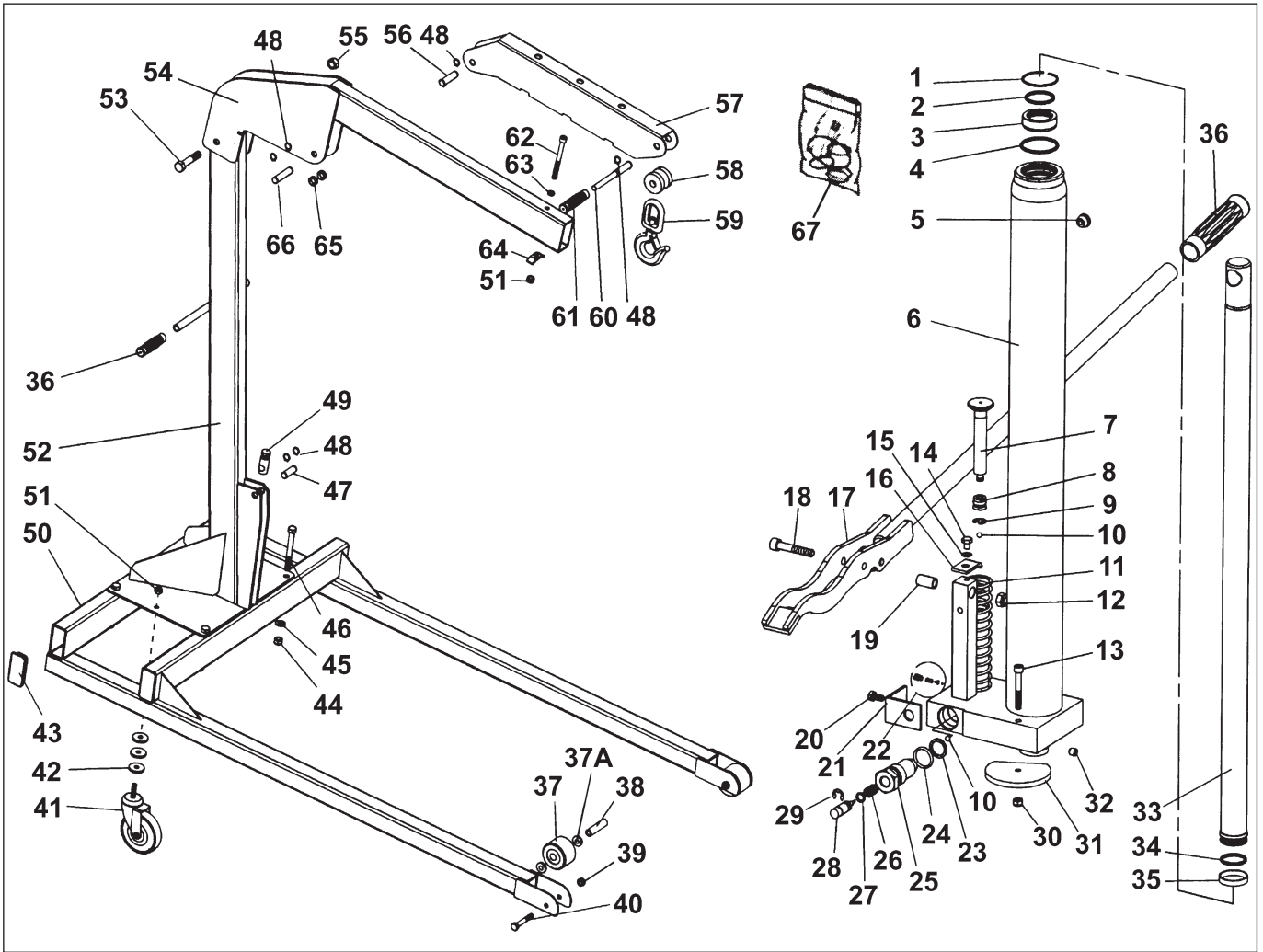
Signed by Mark Sweetman

18th January 2008

For Jack Sealey Ltd. Sole importer into the UK of Sealey Power Products.

Your crane is guaranteed for one year from the date of purchase. The Guarantee does not cover faults caused by incorrect use, lack of maintenance, accidental damage or damage caused to third parties through misuse. You are recommended to inform your insurers and check that adequate cover is in place. Warranty claims must be supported by a copy of the dated purchase receipt.

**MODEL: WD102**



ITEM	PART NO	DESCRIPTION	ITEM	PART NO	DESCRIPTION	ITEM	PART NO	DESCRIPTION
1	WD102/01	RING	24	WD102/24	O-RING	46	WD102/46	SCREW
2	WD102/02	O-RING	25	WD102/25	NUT	47	WD102/47	AXLE
3	WD102/03	BUSHING	26	WD102/26	SPRING	48	WD102/48	CIRCLIP
4	WD102/04	O-RING	27	WD102/27	O-RING	49	WD102/49	AXLE
5	WD102/05	PLUG	28	WD102/28	AXLE	50	WD102/50	FRAME
6	WD102/06	BODY, HYDRAULIC UNIT	29	WD102/29	RETAINING RING	51	WD102/51	NUT
7	WD102/07	PUMP PISTON	30	WD102/30	NUT	52	WD102/52	UPRIGHT
8	WD102/08	SEAL	31	WD102/31	STOP	53	WD102/53	SCREW
9	WD102/09	SPRING	32	WD102/32	SCREW	54	WD102/54	ARM
10	WD102/10	BALL	33	WD102/33	MAIN PISTON	55	WD102/55	NUT
11	WD102/11	SPRING	34	WD102/34	O-RING	56	WD102/56	AXLE
12	WD102/12	NUT	35	WD102/35	RING	57	WD102/57	JIB EXTENSION
13	WD102/13	SCREW	36	WD102/36	GRIP	58	WD102/58	BUSHING
14	WD102/14	SCREW	37	WD102/37	WHEEL	59	WD102/59	HOOK
15	WD102/15	WASHER	37a	WD102/37	WHEEL	60	WD102/60	HANDLE
16	WD102/16	STOP	38	WD102/38	BUSHING	61	WD102/61	GRIP
17	WD102/17	HANDLE	39	WD102/39	NUT	62	WD102/62	SCREW
18	WD102/18	SCREW	40	WD102/40	SCREW	63	WD102/63	BUSHING
19	WD102/19	BUSHING	41	WD102/41	WHEEL	64	WD102/64	PLATE
20	WD102/20	SCREW	42	WD102/42	WASHER	65	WD102/65	CIRCLIP
21	WD102/21	STOP	43	WD102/43	CAP	66	WD102/66	AXLE
22	WD102/22	SAFETY VALVE	44	WD102/44	NUT	67	WD102/UNIT	HYDRAULIC UNIT
23	WD102/23	WASHER	45	WD102/45	WASHER			

**NOTE:** It is our policy to continually improve products and as such we reserve the right to alter data, specifications and component parts without prior notice.

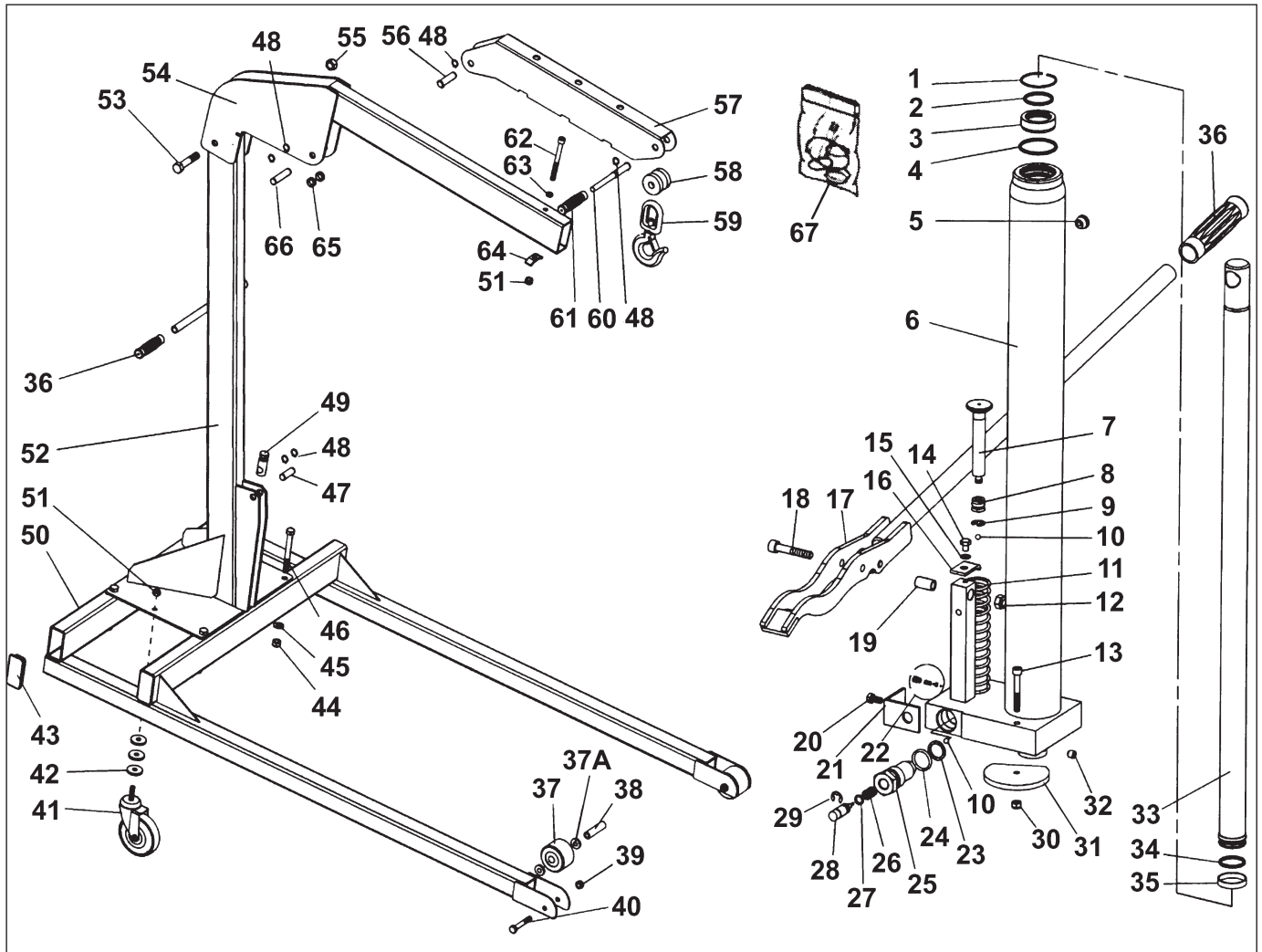
**IMPORTANT:** No liability is accepted for incorrect use of product.

**WARRANTY:** Guarantee is 12 months from purchase date, proof of which will be required for any claim.

**INFORMATION:** For a copy of our latest catalogue and promotions call us on 01284 757525 and leave your full name and address, including postcode.

	Sole UK Distributor Sealey Group, Bury St. Edmunds, Suffolk.	01284 757500 01284 703534	<a href="http://www.sealey.co.uk">www.sealey.co.uk</a> <a href="mailto:sales@sealey.co.uk">sales@sealey.co.uk</a>
	PAGE page5 <span style="float: right;">WD102, WD152, WD202 - 2 - 170108</span>		

MODEL: WD152, WD202



ITEM	PART NO	DESCRIPTION	ITEM	PART NO	DESCRIPTION	ITEM	PART NO	DESCRIPTION
1	WD152/01	RING	25	WD102/25	NUT	50	WD152/50	FRAME
2	WD152/02	O-RING	26	WD102/26	SPRING	<b>50</b>	<b>WD202/50</b>	<b>FRAME</b>
3	WD152/03	BUSHING	27	WD102/27	O-RING	51	WD152/51	NUT
4	WD152/04	O-RING	28	WD102/28	AXLE	52	WD152/52	UPRIGHT
5	WD102/05	PLUG	29	WD102/29	RETAINING RING	<b>52</b>	<b>WD202/52</b>	<b>UPRIGHT</b>
6	WD152/06	BODY, HYDRAULIC UNIT	30	WD102/30	NUT	53	WD152/53	SCREW
7	WD102/07	PUMP PISTON	31	WD152/31	STOP	54	WD152/54	ARM
8	WD102/08	SEAL	32	WD102/32	SCREW	<b>54</b>	<b>WD202/54</b>	<b>ARM</b>
9	WD102/09	SPRING	33	WD152/33	MAIN PISTON	55	WD152/55	NUT
10	WD102/10	BALL	34	WD152/34	O-RING	56	WD152/56	AXLE
11	WD102/11	SPRING	35	WD152/35	RING	57	WD152/57	JIB EXTENSION
12	WD102/12	NUT	36	WD102/36	GRIP	<b>57</b>	<b>WD202/57</b>	<b>JIB EXTENSION</b>
13	WD102/13	SCREW	37	WD152/37	WHEEL	58	WD152/58	BUSHING
14	WD102/14	SCREW	38	WD152/38	BUSHING	59	WD152/59	HOOK
15	WD102/15	WASHER	39	WD152/39	NUT	<b>59</b>	<b>WD202/59</b>	<b>HOOK</b>
16	WD102/16	STOP	40	WD152/40	SCREW	60	WD152/60	HANDLE
17	WD102/17	HANDLE	41	WD152/41	WHEEL	61	WD152/61	GRIP
18	WD102/18	SCREW	43	WD152/43	CAP	62	WD152/62	SCREW
19	WD102/19	BUSHING	44	WD152/44	NUT	63	WD152/63	BUSHING
20	WD102/20	SCREW	45	WD152/45	WASHER	64	WD152/64	PLATE
21	WD102/21	STOP	46	WD152/46	SCREW	65	WD152/65	CIRCLIP
22	WD102/22	SAFETY VALVE	47	WD152/47	AXLE	66	WD152/66	AXLE
23	WD102/23	WASHER	48	WD152/48	CIRCLIP	67	WD152/UNIT	HYDRAULIC UNIT
24	WD102/24	O-RING	49	WD152/49	AXLE			

THE WD152 & WD202 SHARE COMMON PARTS EXCEPT FOR THE WD202 PARTS 50,52,54,57,59 HIGHLIGHTED IN BOLD TYPE.

**NOTE:** It is our policy to continually improve products and as such we reserve the right to alter data, specifications and component parts without prior notice.

**IMPORTANT:** No liability is accepted for incorrect use of product.

**WARRANTY:** Guarantee is 12 months from purchase date, proof of which will be required for any claim.

**INFORMATION:** For a copy of our latest catalogue and promotions call us on 01284 757525 and leave your full name and address, including postcode.

	Sole UK Distributor Sealey Group, Bury St. Edmunds, Suffolk.	01284 757500 01284 703534	www.sealey.co.uk sales@sealey.co.uk
	PAGE page6 <span style="float: right;">WD102, WD152, WD202 - 2 - 170108</span>		