



INSTRUCTIONS FOR:

# WATER PUMP REMOVAL KIT - VW 2.5TDI PD

MODEL NO: **VSE6000**

Thank you for purchasing a Sealey product. Manufactured to a high standard, this product will, if used according to these instructions, and properly maintained, give you years of trouble free performance.

**IMPORTANT: PLEASE READ THESE INSTRUCTIONS CAREFULLY. NOTE THE SAFE OPERATIONAL REQUIREMENTS, WARNINGS & CAUTIONS. USE THE PRODUCT CORRECTLY AND WITH CARE FOR THE PURPOSE FOR WHICH IT IS INTENDED. FAILURE TO DO SO MAY CAUSE DAMAGE AND/OR PERSONAL INJURY AND WILL INVALIDATE THE WARRANTY. KEEP THESE INSTRUCTIONS SAFE FOR FUTURE USE.**

## 1. SAFETY



Refer to instruction manual



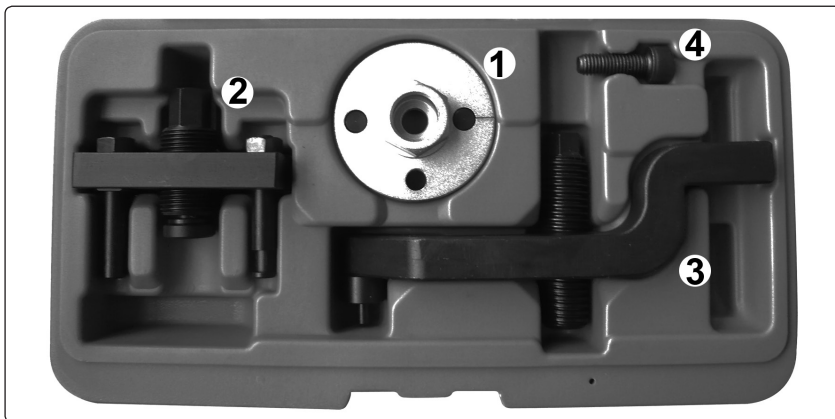
Wear eye protection

- WARNING!** Wear approved eye protection. Wear appropriate Personal Protective Equipment. A full range of Personal Protective Equipment is available from your Sealey dealer.
- WARNING!** Ensure that Health & Safety, Local Authority Regulations and general workshop practice Regulations are adhered to when using tools.
- DO NOT** use tools if damaged.
- Maintain tools to ensure that they are in an adequate condition for safe use and optimum performance.
- Ensure that a vehicle that has been raised by a jack is adequately supported. Use axle stands.
- Wear suitable clothing to avoid snagging. **DO NOT** wear jewellery. Tie back long hair.
- Account for all tools, parts and components being used. **DO NOT** leave these in or near the engine. Return tools to suitable storage after use.
- IMPORTANT!** These Instructions are provided as a guide only. Always refer to the vehicle manufactures' service instructions or a proprietary manual to establish the correct procedure and data.
- WARNING!** The warnings, cautions and instructions in this manual cannot cover all possible conditions and situations. The Operator / user must apply caution and common sense (good practical sense).
- WARNING!** Incorrect or out of phase camshaft timing can result in contact between the valve head and the piston crown. This will cause damage to the engine.

## 2. INTRODUCTION

This tool is ideal to use in conjunction with VSE6146 setting and locking kit. This kit is designed for the gear driven diesel engines found in the Volkswagen T5 and Toureg 2.5D range of vehicles. Due to the method of construction, it is recommended that the water pump is changed if the cylinder head is removed from the vehicle.

## 3. CONTENTS



Item:	Part No:	Description:	OEM No:
1	VSE6000.01	Camshaft TDC Tool	T10225
2	VSE6000.02	Gear puller	T10221A
3	VSE6000.03	Water Pump Puller	T10222A
4	VSE6000.04	Socket Cap Screw	-
<b>Associated Tools</b>			
	VS6146	Diesel Engine Setting/Locking Kit - VW 2.5D TDi Pumpe Duse - Gear Drive	

## 4. APPLICATIONS

### Volkswagen:

Touareg (03-10)  
Transporter T5 (03-09)

**Engine Codes:** AXD, AXE, BAC, BLJ, BLK, BNZ, BPC, BPD, BPE



### Environmental Protection

Recycle unwanted materials instead of disposing of them as waste. All tools, accessories and packaging should be sorted, taken to a recycling centre and disposed of in a manner which is compatible with the environment. When the product becomes completely unserviceable and requires disposal, drain off any fluids (if applicable) into approved containers and dispose of the product and the fluids according to local regulations.

**NOTE:** It is our policy to continually improve products and as such we reserve the right to alter data, specifications and component parts without prior notice.

**IMPORTANT:** No liability is accepted for incorrect use of this product.

**WARRANTY:** Guarantee is 12 months from purchase date, proof of which will be required for any claim.

**INFORMATION:** For a copy of our latest catalogue and promotions call us on 01284 757525 and leave your full name and address, including postcode.



**Sole UK Distributor, Sealey Group,**  
Kempson Way, Suffolk Business Park,  
Bury St. Edmunds, Suffolk,  
IP32 7AR



01284 757500



01284 703534



[www.sealey.co.uk](http://www.sealey.co.uk)



[sales@sealey.co.uk](mailto:sales@sealey.co.uk)