



# REAR TRAILING ARM BUSH TOOL - FIAT PANDA

MODEL NO: **VSE5587**

Thank you for purchasing a Sealey product. Manufactured to a high standard, this product will, if used according to these instructions, and properly maintained, give you years of trouble free performance.

**IMPORTANT:** PLEASE READ THESE INSTRUCTIONS CAREFULLY. NOTE THE SAFE OPERATIONAL REQUIREMENTS, WARNINGS & CAUTIONS. USE THE PRODUCT CORRECTLY AND WITH CARE FOR THE PURPOSE FOR WHICH IT IS INTENDED. FAILURE TO DO SO MAY CAUSE DAMAGE AND/OR PERSONAL INJURY AND WILL INVALIDATE THE WARRANTY. KEEP THESE INSTRUCTIONS SAFE FOR FUTURE USE.



Refer to instructions



Wear eye protection



Wear protective clothing

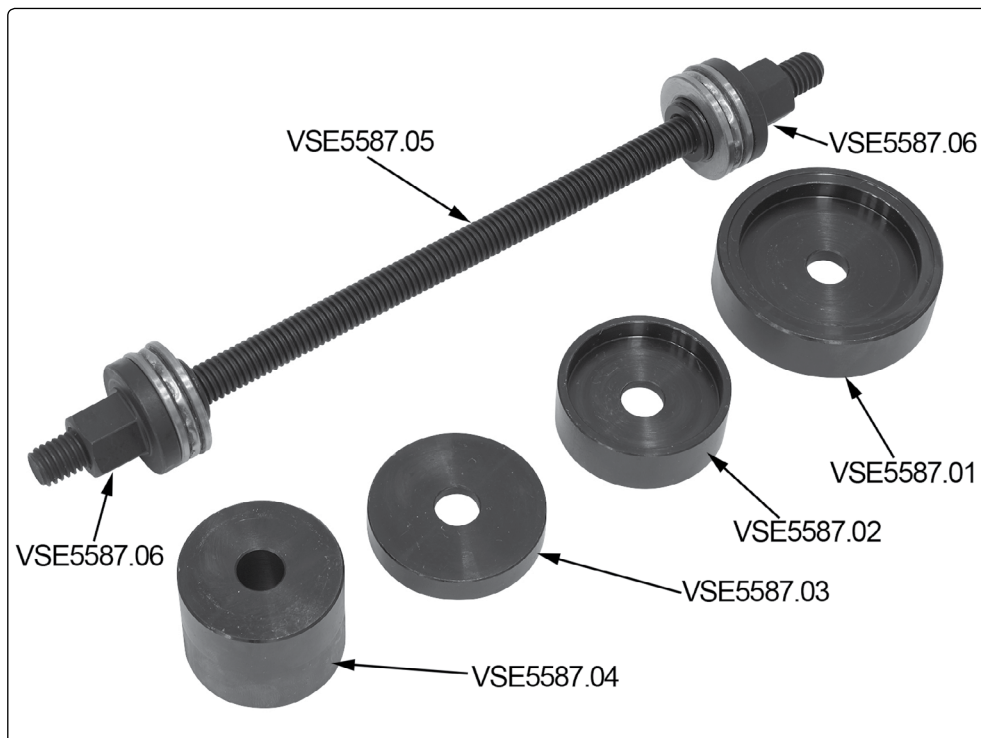
## 1. SAFETY

- ❑ **WARNING!** Ensure Health and Safety, local authority and general workshop practice regulations are adhered to when using tools.
- ✗ **DO NOT** use tools if damaged.
- ✓ Ensure that a vehicle which has been jacked up is adequately supported with axle stands and that the wheels are chocked, refer to the vehicle manufacturer's service instructions, or a proprietary manual.
- ✓ Wear approved eye protection. A full range of personal safety equipment is available from your Sealey stockist.
- ✓ Wear suitable clothing to avoid snagging. **DO NOT** wear jewellery and tie back long hair.
- ✗ **DO NOT** use air tools to operate the force screw.
- ✓ Maintain tools in good and clean condition for best and safest performance.
- ✓ When not in use, clean and lubricate tool, and store in its storage case in a safe, dry, childproof location.
- IMPORTANT:** The force screw must be kept well lubricated.
- IMPORTANT:** This manual is provided as a guide only, refer to the vehicle manufacturer's service instructions, or a proprietary manual, to establish the current procedure and data.
- ❑ **WARNING!** Failure to heed safety and warning instructions may result in damage and/or personal injury and will invalidate the warranty.
- ❑ **WARNING!** The warnings, cautions and instructions referred to in this manual cannot cover all possible conditions and situations that may occur. It must be understood that common sense and caution are factors which cannot be built into this product, but must be applied by the operator.

## 2. INTRODUCTION

Suitable for removal/installation of rear trailing arm bushes on a Fiat Panda (03-12). Tool will allow changing the bushes in situ, saving time and money.

## 3. CONTENTS



Part No.	Description
VSE5587.01	Cup Ø50*10T
VSE5587.02	Cup Ø50*17T
VSE5587.03	Cup Ø44 (35.5L)
VSE5587.04	Bush Ø68 18T
VSE5587.05	Bar Assembly
VSE5587.06	Forcing Nut

## 4. APPLICATIONS

Application(s): ..... Fiat Panda (03-12)

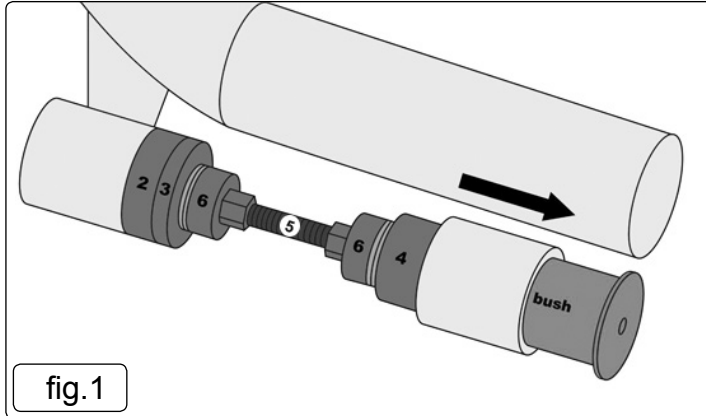
## 5. OPERATION

5.1. Designed for easy removal/installation of the rear trailing arm bush without having to remove the arm from the vehicle.

### 5.2. REMOVAL

5.2.1. Assemble item numbers 2+3+4+5+6 as shown in fig.1 Ensure the recesses in the forcing plates are correctly located onto the forcing nuts.

5.2.2. Using a suitable 17mm wrench, turn the forcing nut (6) clockwise to push the old bush out.

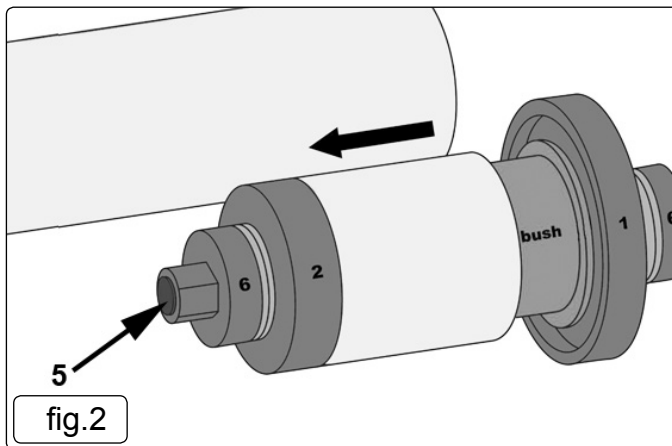


Item No.	Part No.	Description
1	VSE5587.01	Cup Ø50*10T
2	VSE5587.02	Cup Ø50*17T
3	VSE5587.03	Cup Ø44 (35.5L)
4	VSE5587.04	Bush Ø68 18T
5	VSE5587.05	Bar Assembly
6	VSE5587.06	Forcing Nut

### 5.3. INSTALLATION

5.3.1. Assemble items 1+2+5+6 as shown in fig.2. Ensure the recesses in the forcing plates are correctly located onto the forcing nuts.

Using a suitable 17mm wrench, turn the forcing nut (6) clockwise to press in the new bush.



### ENVIRONMENT PROTECTION

Recycle unwanted materials instead of disposing of them as waste. All tools, accessories and packaging should be sorted, taken to a recycling centre and disposed of in a manner which is compatible with the environment. When the product becomes completely unserviceable and requires disposal, drain any fluids (if applicable) into approved containers and dispose of the product and fluids according to local regulations.

**Note:** It is our policy to continually improve products and as such we reserve the right to alter data, specifications and component parts without prior notice.

**Important:** No Liability is accepted for incorrect use of this product.

**Warranty:** Guarantee is 12 months from purchase date, proof of which is required for any claim.

Sealey Group, Kempson Way, Suffolk Business Park, Bury St Edmunds, Suffolk. IP32 7AR



01284 757500



01284 703534



sales@sealey.co.uk



www.sealey.co.uk