

INSTRUCTIONS FOR:
BMW REAR BALL JOINT TOOL

MODEL NO: **VSE5509**

Thank you for purchasing a Sealey product. Manufactured to a high standard this product will, if used according to these instructions and properly maintained, give you years of trouble free performance.

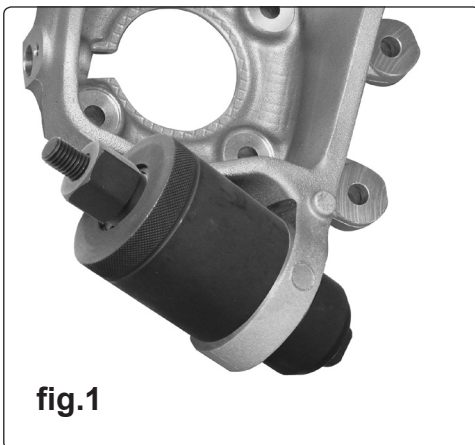


IMPORTANT: PLEASE READ THESE INSTRUCTIONS CAREFULLY. NOTE THE SAFE OPERATIONAL REQUIREMENTS, WARNINGS AND CAUTIONS. USE THE PRODUCT CORRECTLY AND WITH CARE FOR THE PURPOSE FOR WHICH IT IS INTENDED. FAILURE TO DO SO MAY CAUSE DAMAGE AND/OR PERSONAL INJURY AND WILL INVALIDATE THE WARRANTY. PLEASE KEEP INSTRUCTIONS SAFE FOR FUTURE USE.

1. SAFETY INSTRUCTIONS

- ☐ **WARNING!** Ensure Health and Safety, local authority and general workshop practice regulations are adhered to when using tools.
- ✗ **DO NOT** use the kit if any parts are missing or damaged.
- ✗ **DO NOT** use the rear ball joint tool for any purpose other than that for which it is designed.
- ✓ Maintain the tool components in good and clean condition for best and safest performance.
- ✓ Ensure that a vehicle which has been jacked up is adequately supported with axle stands.
- ✓ Wear approved eye protection. A full range of personal safety equipment is available from your Sealey dealer.
- ✓ Wear suitable clothing to avoid snagging. Do not wear jewellery and tie back long hair.
- ✓ Keep children and other unauthorised persons away from the working area.
- ✓ Ensure there is adequate lighting prior to using the ball joint tool.

IMPORTANT: These instructions are provided as a guide only. Always refer to the vehicle manufacturer's service instructions, or a proprietary manual, to establish the current procedure and data.



2. INTRODUCTION & APPLICATIONS

2.1 Introduction

Designed to remove and install press-fit rear suspension ball joints in situ, on BMW 5 and 7 Series. These joints are sometimes referred to as 'bushes' but are true ball joints.

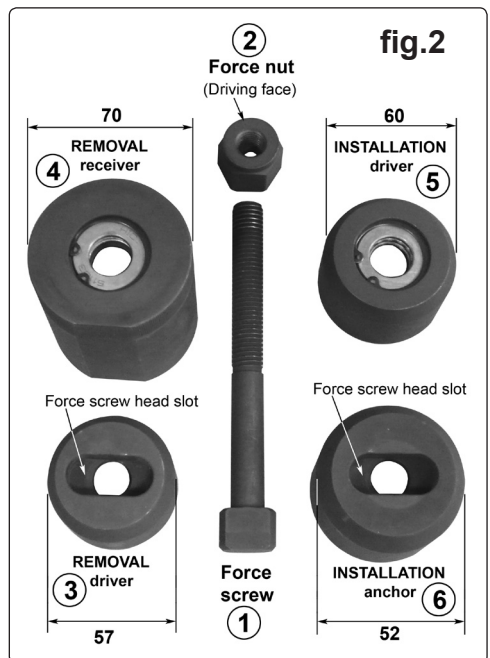
2.2 Applications

BMW..... E39 - 5 Series E38 - 7 Series

3. CONTENTS/PARTS LIST

VSE5509 Rear Suspension Ball Joint tool comprises:

Item	Description	Part No.
1	Force Screw	VSE5509.01
2	Force Nut	VSE5509.02
3	Removal Driver	VSE5509.03
4	Removal Receiver	VSE5509.04
5	Installation Driver	VSE5509.05
6	Installation Anchor	VSE5509.06



4. INSTRUCTIONS

IMPORTANT: These instructions are provided as a guide only. Always refer to the vehicle manufacturer's service instructions, or a proprietary manual, to establish the current procedure and data.

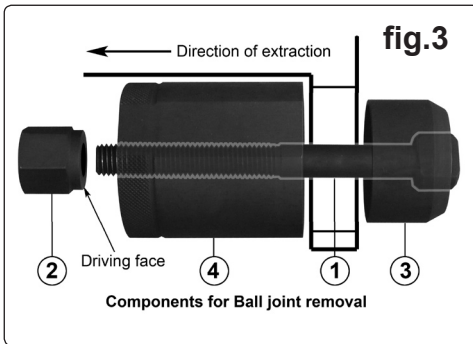
4.1 Preparation

With the vehicle properly supported and accessible, remove the rear wheels. Making reference to the vehicle manufacturer's service instructions remove the swinging arm assembly and the bolts which pass through the ball joints.

4.2 Removing the old ball joint

Using the component configuration indicated below in fig.3, assemble the parts to the ball joint housing. (See also fig.1).

- 4.1.1 Ensure that the flat head of the force screw (1) is fully inserted into the slot in the face of the driver component (3).
- 4.1.2 Also ensure that the driving face of the force nut (2) bears onto the bearing mounted in the receiver component (4).
- 4.1.3 Remove snap retaining ring from the ball joint.
- 4.1.4 Note: The driving component (3) must be placed to drive the ball joint out towards the front of the vehicle.



ALWAYS KEEP FORCE SCREW WELL LUBRICATED



DO NOT USE AIR TOOLS



Force screw maximum load 150Nm. Exceeding this load will shorten the life of the force screw. The force screw is considered to be a consumable item and is NOT covered under warranty.

NOTE: It is our policy to continually improve products and as such we reserve the right to alter data, specifications and component parts without prior notice. **IMPORTANT:** No liability is accepted for incorrect use of this product. **WARRANTY:** Guarantee is 12 months from purchase date, proof of which will be required for any claim. **INFORMATION:** For a copy of our catalogue and latest promotions call us on 01284 757525 and leave your full name, address and postcode.



Sole UK Distributor,
Sealey Group, Kempson Way,
Suffolk Business Park,
Bury St Edmunds, Suffolk, IP32 7AR



01284 757500



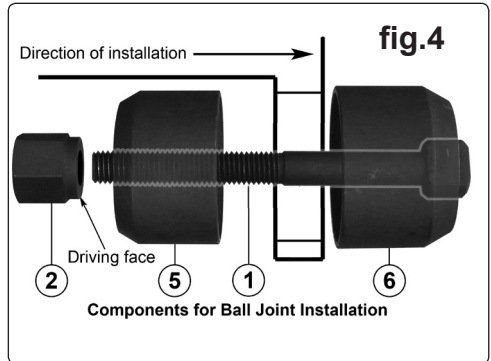
01284 703534



www.sealey.co.uk



sales@sealey.co.uk



4.3 Installing a new ball joint

Prior to installing the new ball joint ensure that the ball joint housing is clean.

4.4 Removing the old ball joint

Using the component configuration indicated above in fig.4, assemble the parts to the ball joint housing.

- 4.4.1 Ensure that the flat head of the force screw (1) is fully inserted into the slot in the face of the installation anchor component (6).
- 4.4.2 Also ensure that the driving face of the force nut (2) bears onto the bearing mounted in the installation driver component (5).
- 4.4.3 Note: The installation driver component (5) must be positioned to drive the new ball joint into place towards the back of the vehicle.
- 4.4.4 Reinstall the snap retaining ring and re-assemble the vehicle suspension in accordance with procedures laid down in the manufacturer's service manual.