



# FRONT UPPER CONTROL ARM BUSH TOOL - VAG

MODEL NO: **VSE4789**

Thank you for purchasing a Sealey product. Manufactured to a high standard, this product will, if used according to these instructions, and properly maintained, give you years of trouble free performance.

**IMPORTANT:** PLEASE READ THESE INSTRUCTIONS CAREFULLY. NOTE THE SAFE OPERATIONAL REQUIREMENTS, WARNINGS & CAUTIONS. USE THE PRODUCT CORRECTLY AND WITH CARE FOR THE PURPOSE FOR WHICH IT IS INTENDED. FAILURE TO DO SO MAY CAUSE DAMAGE AND/OR PERSONAL INJURY AND WILL INVALIDATE THE WARRANTY. KEEP THESE INSTRUCTIONS SAFE FOR FUTURE USE.



Refer to instructions



Wear eye protection



Wear protective gloves

**DO NOT USE AIR TOOLS TO OPERATE FORCE SCREW**



**ALWAYS KEEP FORCE SCREW WELL LUBRICATED. MOLYBDENUM COPPER BASED RECOMMENDED.**



## 1. SAFETY

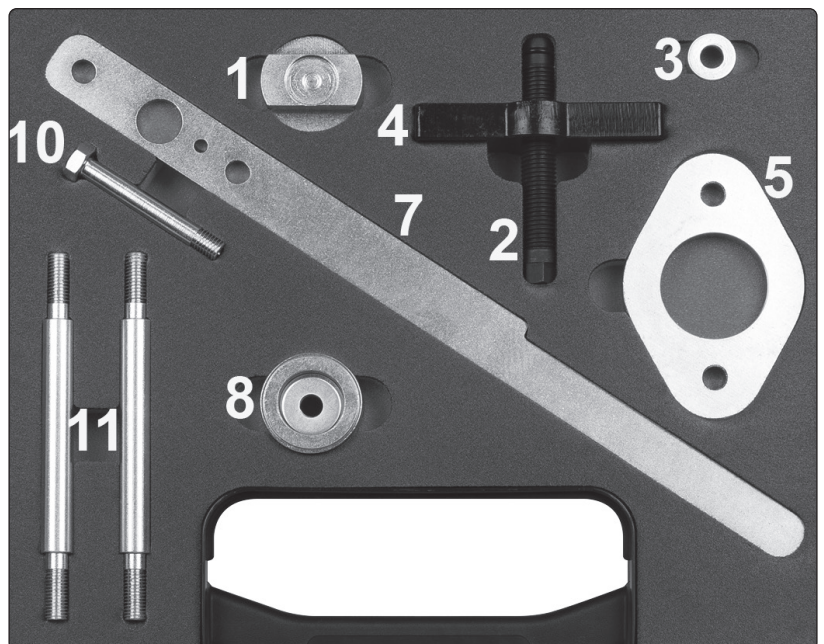
- \* **DO NOT** use with air tools.
- ✓ Always keep the force screw well lubricated.
- IMPORTANT!** These instructions are offered as a guide only, albeit compiled with good practical user advice. Always refer to the vehicle manufacturer's service instructions, or a proprietary manual to establish the current procedure and data.
- **WARNING!** Ensure Health & Safety, local authority, and general workshop practice regulations are adhered to when using this tool.
- **WARNING!** Familiarise yourself with the specific applications and limitations of the kit, as well as any potential hazards.
- ✓ This kit should be used in conjunction with inspection maintenance procedures recommended in the vehicle manufacturer's manual.
- ✓ Ensure that the kit is correct for the task.
- ✓ Wear the appropriate personal protective equipment for the task. A full range is available from your Sealey Stockist.
- \* **DO NOT** use the kit for any purpose other than that for which it is designed.
- ✓ Ensure that the vehicle is properly supported with axle stands before working under the vehicle.
- ✓ Ensure there is adequate lighting prior to using the kit. A range of inspection lamps are available from your Sealey Stockist.
- ✓ Keep children and unauthorised persons away from the working area.
- \* **DO NOT** use the kit if any parts are damaged or missing, as this may cause failure and/or personal injury.
- \* **DO NOT** use the kit when you are tired, or under the influence of alcohol, drugs or intoxicating medication.
- ✓ After use, store in a safe, dry childproof area.
- **WARNING!** Failure to adhere to safety and warning instructions may result in personal injury or damage which would invalidate the warranty.

## 2. INTRODUCTION

Suitable for the removal/installation of the front upper control arm bushes on VAG group vehicles. The tool is designed to be used in situ without having to remove the control arm from the vehicle, which includes the pinch bolt which is often seized and usually snaps. Each vehicle has four upper control arms. Unique design of the adaptors means the bush is clamped securely, to aid alignment and guide the bush squarely into position.

## 3. CONTENTS

Number	Part No.	Description
1	VSE4789-01	Adaptor A
2	VSE4789-02	Force screw
3	VSE4789-03	Collar
4	VSE4789-04	Force screw T bar
5	VSE4789-05	Press plate
6	VSE4789-06	Nuts (not shown)
7	VSE4789-07	Restraint bar
8	VSE4789-08	Adaptor B
9	VSE4789-09	Washers (not shown)
10	VSE4789-10	Bolts
11	VSE4789-11	Bridge bars



## 4. APPLICATIONS

Make	Model	Year
Audi	A4*	B5 (95-01)
	A4*	B6 (01-06)
	A4*	B7 (04-09)
	A4	B8 (08-16)
	A4	B9 (2016-on)
	A5	(07-17)
	A6*	(99-18)
	A8*	(98-02)
	Allroad*	(03-05)
	Q5	(12-17)
VW	Passat*	(98-05)
Skoda	Superb	(01-08)
Seat	Exeo*	B7 (08-13)



fig. 1

Models with \* require the aluminium top sprig plate unbolted, lowered and twisted in order to be able to remove the control arm bush bolts. Models without the \* have the bolts fitted in the opposite direction so can easily removed in situ, fig. 1.

## 5. OPERATION

### 5.1. BUSH REMOVAL

- 5.1.1. Raise vehicle ensuring it is adequately supported on axle stands.
- 5.1.2. Remove road wheel.
- 5.1.3. Remove control arm bush nut/bolt. Some models may require the aluminium top spring plate to also be unbolted to enable the bush bolt to be removed, fig. 2.

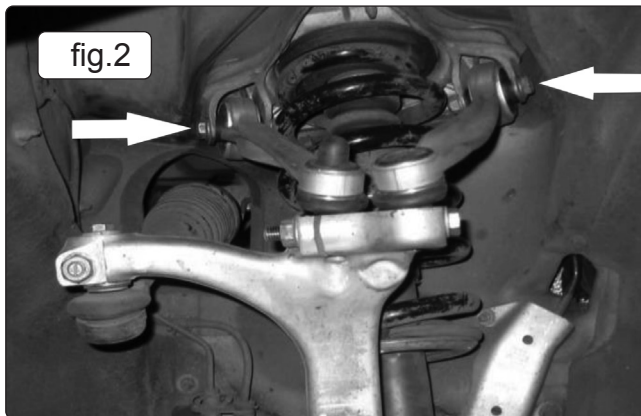


fig. 2



fig. 3

- 5.1.4. Rotate control arm to gain access to the bush.
- 5.1.5. Position Adaptor 'A' & 'B' each side of the bush to be removed, and secure together with bolt. When bolt is tightened the bush will be securely clamped, fig. 3.
- 5.1.6. Position frame over control arm bush and extend force screw so it's located into the recess of the adaptor, fig. 4.
- 5.1.7. Using a ratchet or spanner, rotate force screw clockwise to remove bush. Use handle on the press frame to counter hold press frame.

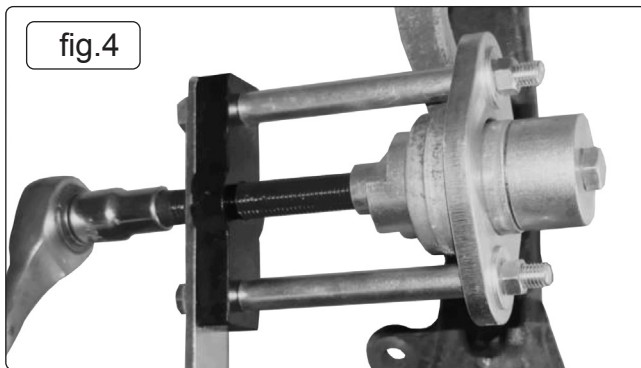


fig. 4

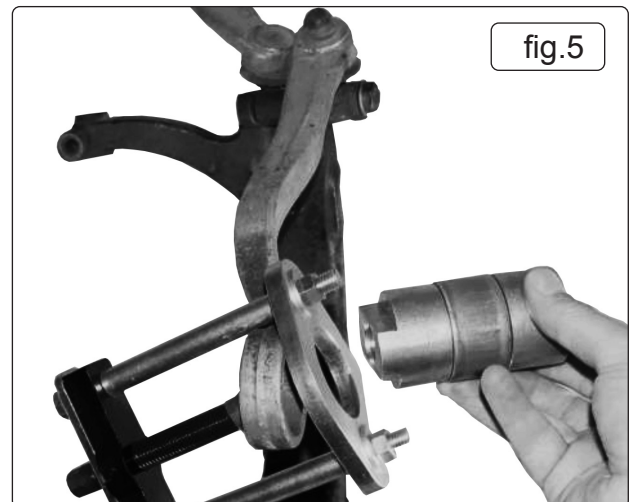


fig. 5

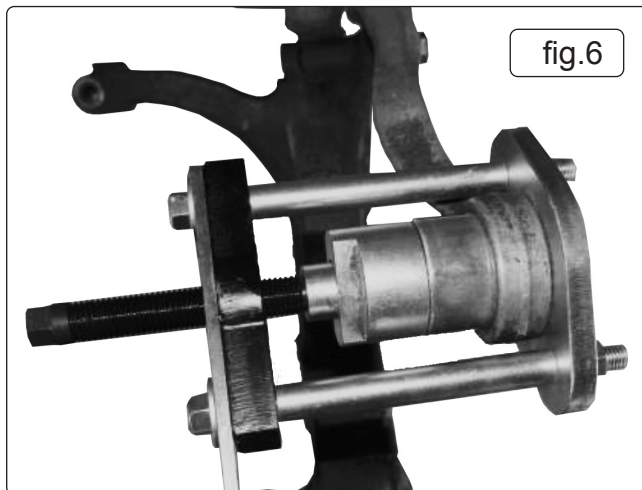
- 5.1.8. Keep rotating force screw until bush has been removed, fig. 5.
- 5.1.9. Remove adaptors 'A' & 'B' from bush.

## 5.2. BUSH INSTALLATION fig.6

- 5.2.1. Clean control arm housing with emery cloth and apply a small amount of lubricant to aid installation.
- 5.2.2. Position Adaptors 'A' & 'B' each side of the new bush to be installed, and secure together with bolt.
- 5.2.3. Position bush and adaptor through control arm housing. The lead adaptor will locate the bush into position.
- 5.2.4. During installation the lead adaptor will act as a guide to make sure the bush is aligned correctly.
- 5.2.5. Install press frame in the same way as for removal.
- 5.2.6. Press in bush to the required depth.

## 6. MAINTENANCE

- 6.1. After use, clean all components with a lightly oiled cloth and return to the carry case.  
Store in a dry location away from children.



### ENVIRONMENT PROTECTION

Recycle unwanted materials instead of disposing of them as waste. All tools, accessories and packaging should be sorted, taken to a recycling centre and disposed of in a manner which is compatible with the environment. When the product becomes completely unserviceable and requires disposal, drain any fluids (if applicable) into approved containers and dispose of the product and fluids according to local regulations.

**Note:** It is our policy to continually improve products and as such we reserve the right to alter data, specifications and component parts without prior notice.

**Important:** No Liability is accepted for incorrect use of this product.

**Warranty:** Guarantee is 12 months from purchase date, proof of which is required for any claim.

Sealey Group, Kempson Way, Suffolk Business Park, Bury St Edmunds, Suffolk. IP32 7AR



01284 757500



01284 703534



sales@sealey.co.uk



www.sealey.co.uk