

Thank you for purchasing a Sealey product. Manufactured to a high standard this product will, if used according to these instructions and properly maintained, give you years of trouble free performance.



IMPORTANT: PLEASE READ THESE INSTRUCTIONS CAREFULLY. NOTE THE SAFE OPERATIONAL REQUIREMENTS, WARNINGS AND CAUTIONS. USE THE PRODUCT CORRECTLY AND WITH CARE FOR THE PURPOSE FOR WHICH IT IS INTENDED. FAILURE TO DO SO MAY CAUSE DAMAGE AND/OR PERSONAL INJURY, AND WILL INVALIDATE THE WARRANTY. PLEASE KEEP INSTRUCTIONS SAFE FOR FUTURE USE.

1. SAFETY INSTRUCTIONS

- ❑ **WARNING!** Ensure Health and Safety, local authority and general workshop practice regulations are adhered to when using tools.
- ✗ **DO NOT** use tools if damaged.
- ✓ Maintain tools in good and clean condition for best and safest performance.
- ✓ Ensure that the vehicle which has been jacked up is adequately supported with axle stands.
- ✓ Wear approved eye protection. A full range of personal safety equipment is available from your Sealey dealer.
- ✓ Wear suitable clothing to avoid snagging. Do not wear jewellery and tie back long hair.
- ✗ **DO NOT** use an impact wrench with this tool.

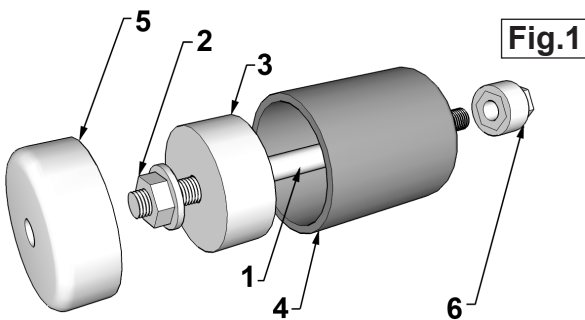
IMPORTANT: Refer to the vehicle manufacturer's service instructions, or a proprietary manual, to establish the current procedure and data.

WARNING: The warnings, cautions and instructions discussed in this manual cannot cover all possible conditions and situations that may occur. It must be understood that common sense and caution are factors which cannot be built into this product, but must be applied by the operator.

2. INTRODUCTION & APPLICATION

2.1 Introduction: Remove/Install rear axle mounting bushes in Ford Fiesta IV. Can be used in situ – no need to remove the rear trailing link assembly from vehicle.

2.2 Applications: Ford Fiesta IV -1996 onwards.



ITEM	DESCRIPTION	ITEM	DESCRIPTION
1	SCREW ROD	4	RECEIVING CUP
2	RETENTION NUT	5	INSERTION CUP
3	PUSHING CUP	6	FORCE NUT

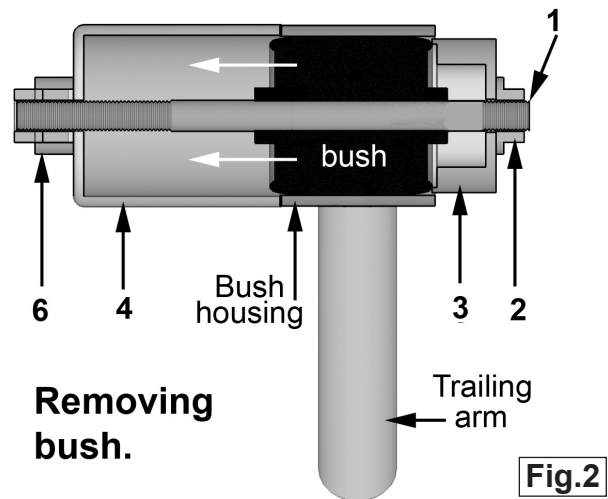
3. OPERATION

DO NOT USE AN IMPACT WRENCH WITH THIS TOOL.

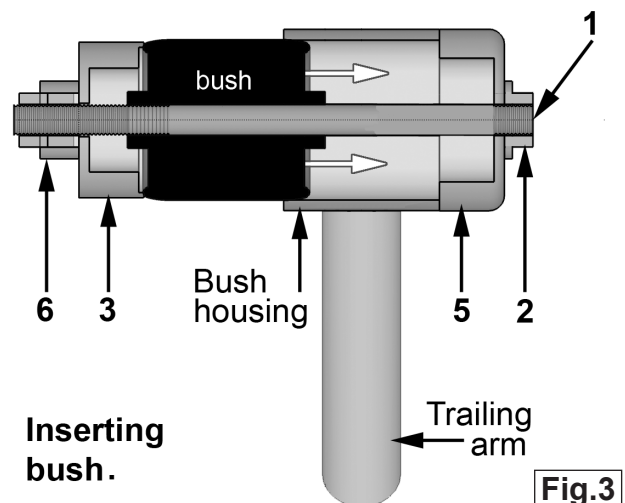
- 3.1 Before working under the vehicle ensure that it is adequately supported on axle stands.
- 3.2 Thoroughly lubricate the screw rod threads each time the tool is used.
- 3.3 Remove the rear wheels to gain access to the bush housings at the top of each trailing arm. **For a detailed and up to date break**

down of this procedure refer to the vehicle manufacturer's service instructions, or a proprietary manual.

- 3.4 Thoroughly apply penetrating oil to each bush to aid extraction from the bush housing.
- 3.5 To extract the old bush, assemble the tool onto the bush as shown in Fig.2. Ensure that the threaded rod 1 is well lubricated prior to assembly. Hold the retention nut 2 with a 24mm ring spanner. Using a ratchet wrench with a 24mm deep socket turn the nut on the force nut assembly 6 clockwise to drive the bush out of its housing.



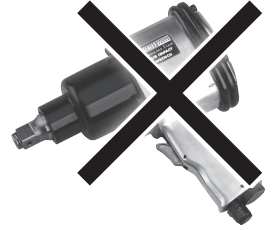
- 3.6 To insert the new bush, assemble the tool and bush onto the bush housing as shown in Fig.3. Ensure that the threaded rod 1 is well lubricated prior to assembly. Hold the retention nut 2 with a 24mm ring spanner. Using a ratchet wrench with a 24mm deep socket turn the nut on the force nut assembly 6 clockwise to drive the bush into the housing.



**ALWAYS KEEP THREADED ROD
WELL LUBRICATED.**



DO NOT USE AIR TOOLS.



Threaded rod maximum load 150Nm. Exceeding this load will shorten the life of the threaded rod. The threaded rod is considered to be a consumable item and is NOT covered under warranty.

NOTE: It is our policy to continually improve products and as such we reserve the right to alter data, specifications and component parts without prior notice. **IMPORTANT:** No liability is accepted for incorrect use of product. **WARRANTY:** Guarantee is 12 months from purchase date, proof of which will be required for any claim. **INFORMATION:** For a copy of our latest catalogue and promotions call us on 01284 757525 and leave your full name and address, including postcode.



Sole UK Distributor, Sealey Group,
Kempson Way, Suffolk Business
Park, Bury St. Edmunds, Suffolk,
IP32 7AR

 01284 757500

 01284 703534

 www.sealey.co.uk

 sales@sealey.co.uk