



# INSTRUCTIONS FOR: PETROL & DIESEL MASTER COMPRESSION TEST KIT

MODEL No: **VSE3155.V4**

Thank you for purchasing a Sealey product. Manufactured to a high standard this product will, if used according to these instructions and properly maintained, give you years of trouble free performance.



**IMPORTANT: PLEASE READ THESE INSTRUCTIONS CAREFULLY. NOTE THE SAFE OPERATIONAL REQUIREMENTS, WARNINGS AND CAUTIONS. USE THE PRODUCT CORRECTLY AND WITH CARE FOR THE PURPOSE FOR WHICH IT IS INTENDED. FAILURE TO DO SO MAY CAUSE DAMAGE AND/OR PERSONAL INJURY AND WILL INVALIDATE THE WARRANTY. PLEASE KEEP INSTRUCTIONS SAFE FOR FUTURE USE.**

## 1. SAFETY INSTRUCTIONS

- ❑ **WARNING!** *Ensure Health and Safety, local authority and general workshop practice regulations are adhered to when using tools.*
- ✗ **DO NOT** use tools if seals or threads are damaged. Any defective seal **MUST** be changed before use, to avoid incorrect readings.
- ✓ Maintain tools in a good, clean condition for the best and safest performance.
- ✓ Ensure that a vehicle that has been jacked up, is adequately supported with axle stands.
- ✓ Wear approved eye protection. A full range of personal safety equipment is available from your Sealey dealer.
- ✓ Wear suitable clothing to avoid snagging. **DO NOT** wear jewellery and tie back long hair.
- ✓ Ensure any disconnected fuel pipes are plugged to avoid spillage.
- ✓ Ensure that the correct connector is used for the engine being tested.
- ✓ Always release the pressure from the gauge, before disconnecting the quick release coupling.
- ✓ Account for all tools and parts being used and **DO NOT** leave them in or near the engine.
- ▲ **IMPORTANT:** *Always refer to the vehicle manufacturer's service instructions, or a proprietary manual, to establish the current procedure and data.*

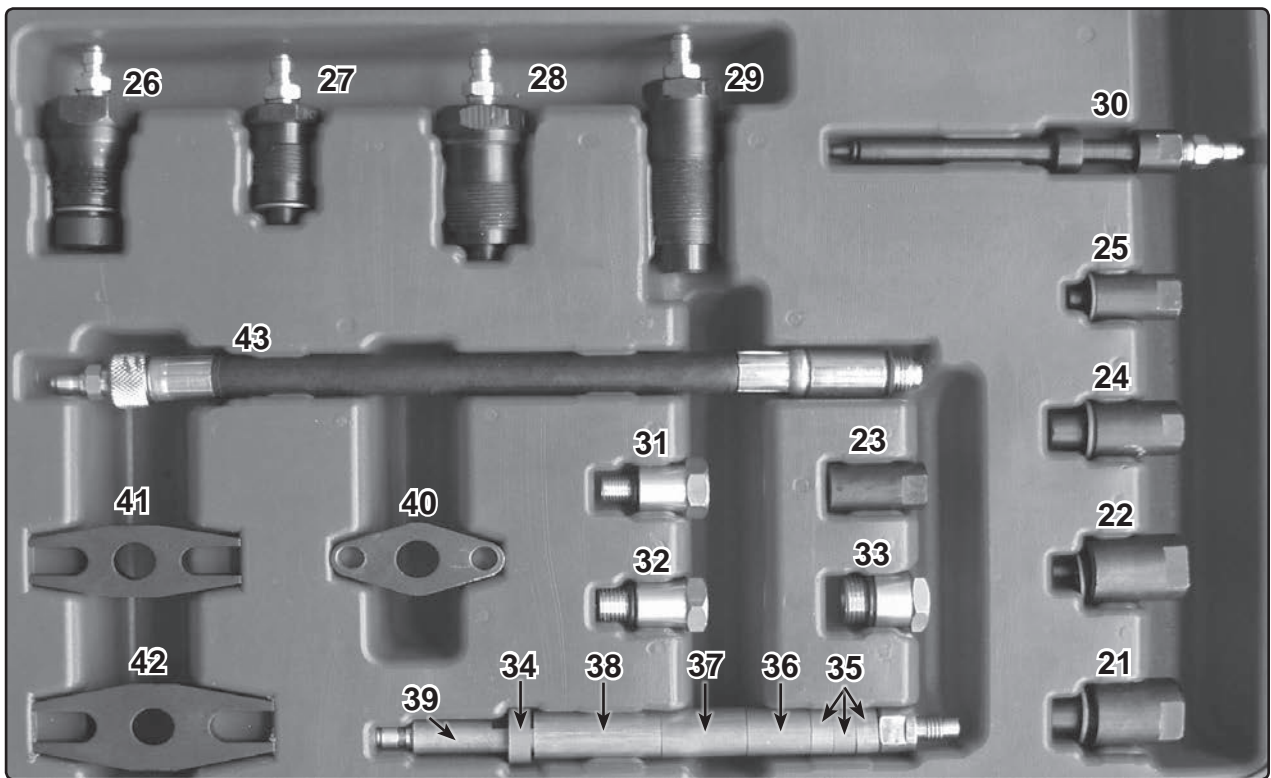
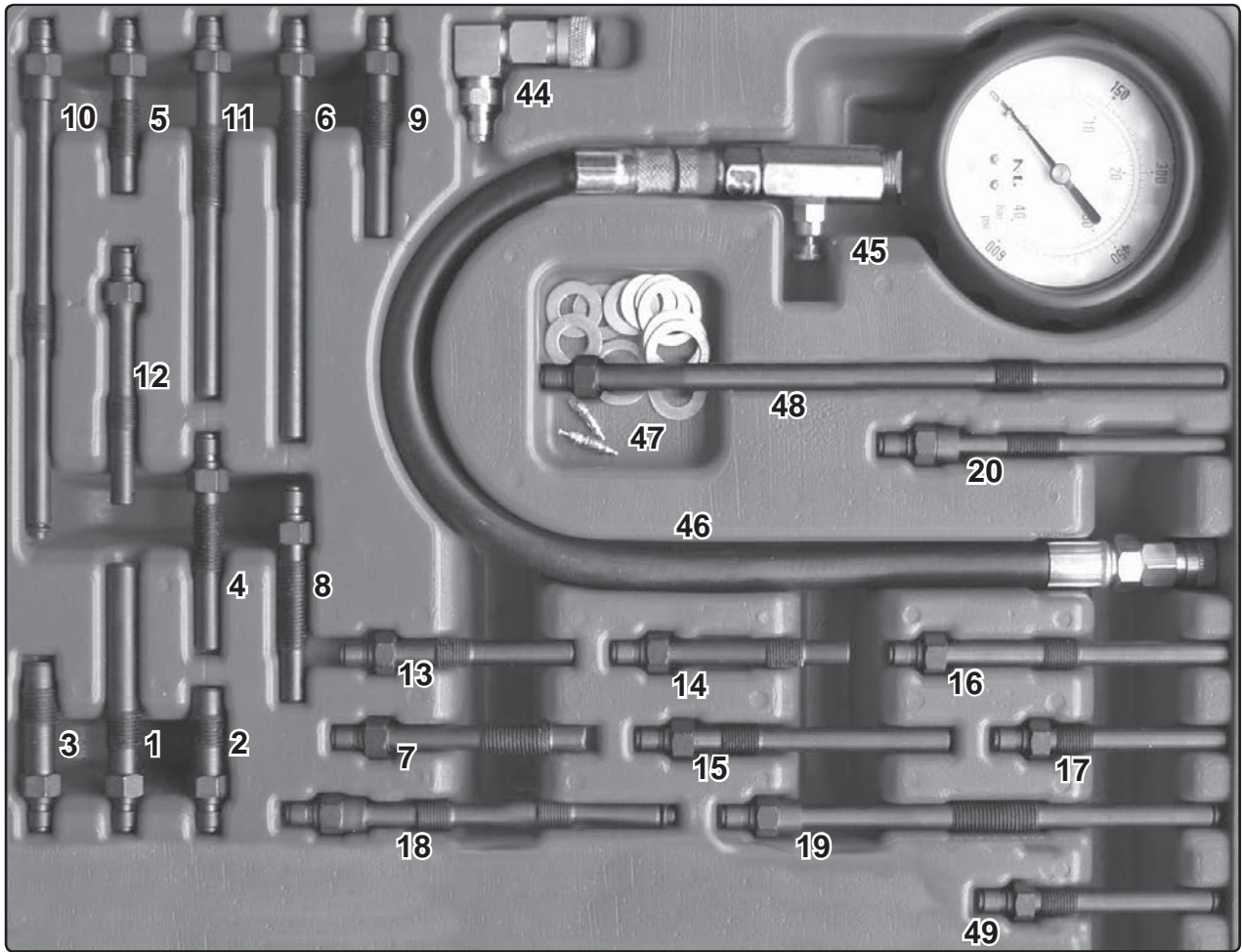


## 2. INTRODUCTION

A comprehensive kit for testing the compression on both petrol and diesel vehicles. Features 600psi gauge with large rubber bumper, straight and right angled quick connect fittings and an extensive range of spark/glow plug and injector adaptors. This kit will cover most modern car, van, truck, bus, agricultural and marine engines. Supplied in tough carry-case.

## 3. PARTS

Item	Part Number	Description	Item	Part Number	Description
1	VSE3155.01	1-Connector	26	VSE3155.26	26-Connector
2	VSE3155.02	2-Connector	27	VSE3155.27	27-Connector
3	VSE3155.03	3-Connector	28	VSE3155.28	28-Connector
4	VSE3155.04	4-Connector	29	VSE3155.29	29-Connector
5	VSE3155.05	5-Connector	30	VSE3155.30	30-Connector
6	VSE3155.06	6-Connector	31	VSE3155.31	Connector 10mm
7	VSE3155.07	7-Connector	32	VSE3155.32	Connector 12mm
8	VSE3155.08	8-Connector	33	VSE3155.33	Connector 18mm
9	VSE3155.09	9-Connector	34	VSE3155.34	Spacer 6.4mm
10	VSE3155.10	10-Connector	35	VSE3155.35	Spacer 6.5mm
11	VSE3155.11	11-Connector	36	VSE3155.36	Spacer 19mm
12	VSE3155.12	12-Connector	37	VSE3155.37	Spacer 26mm
13	VSE3155.13	13-Connector	38	VSE3155.38	Spacer 38mm
14	VSE3155.14	14-Connector	39	VSE3155.39	Pillar Assembly
15	VSE3155.15	15-Connector	40	VSE3155.40	Bridge Piece (Small)
16	VSE3155.16	16-Connector	41	VSE3155.41	Bridge Piece (Medium)
17	VSE3155.17	17-Connector	42	VSE3155.42	Bridge Piece (Large)
18	VSE3155.18	18-Connector	43	VSE3155.43	Hose & Connector 14mm
19	VSE3155.19	19-Connector	44	VSE3155.44	Elbow Connector
20	VSE3155.20	20-Connector	45	VSE3155.45-G	Gauge 600psi 40bar, 77mm OD
21	VSE3155.21	21-Connector	46	VSE3155V4.45A	Gauge Hose
22	VSE3155.22	22-Connector	47	VSE3155.46	Valve & Washer Set
23	VSE3155.23	23-Connector	48	VSE3155.47	47-Connector
24	VSE3155.24	24-Connector	49	VSE3155.48	48-Connector
25	VSE3155.25	25-Connector	50	VSE3155.C	Blow Moulded Case



## 4. INSTRUCTIONS

### 4.1. Overview of Compression Testing.

When an engine's performance is down, or if misfiring occurs which cannot be attributed to the ignition or fuel systems, a compression test can provide diagnostic clues as to the engine's condition.

Compression should build up quickly in a healthy engine. A very low compression reading on the first stroke, followed by gradually increasing pressure on successive strokes, indicates worn piston rings. A low compression reading on the first stroke, which does not build up during successive strokes, indicates leaking valves or a faulty head gasket (a cracked head could also be the cause).

Deposits on the undersides of the valve heads can also cause low compression. If the pressure in any cylinder is considerably lower than the others, introduce a small quantity of clean oil into that cylinder through the access hole, and repeat the test. If the addition of oil temporarily improves the compression pressure, this indicates that bore or piston wear is responsible for the pressure loss. If there is no improvement, it suggests that the leakage is around the valves, or a faulty head gasket. A low reading from two adjacent cylinders suggests a faulty head gasket between the two cylinders. The presence of coolant in the engine oil will confirm this.

If the compression is unusually high, the combustion chambers are probably coated with carbon deposits. If this is the case, the cylinder head should be removed and de-carbonised.

As a rough guide, engines having a compression pressure in excess of 100psi (6.9 bar), should not exceed a compression loss of more than 10psi (0.69 bar). On older engines with lower compression pressure, loss should not exceed 0.35 bar (5psi).

### 4.2. Compression Testing.

4.2.1. Check the engine oil is at the correct level.

4.2.2. Remove all of the glow plugs/spark plugs from the engine.

4.2.3. Select the applicable adaptor from the kit and screw it into the first glow/spark plug port, ensuring there is a good seal with the O-ring (if fitted). Connect the coupling on the pressure gauge hose to the adaptor, ensuring it locks into place.

4.2.4. Turn over the engine using the starter motor and observe the gauge, looking for a steady increase in the reading (see 4.1) and note the maximum reading obtained. Refer to the vehicle/engine manufacturer's workshop manual for compression data.

4.2.5. Depress the Re-set Valve (situated under the gauge) to release the pressure. The Re-set Valve allows the test to be repeated if required without disconnecting the tester from the glow/spark plug port.

**WARNING!** Always release pressure via the Re-set Valve **BEFORE** disconnecting the Tester.

4.2.6. Disconnect the compression tester from the adaptor and remove the adaptor from the glow/spark plug port. Install them into the next cylinder's glow/spark plug port and repeat the tests. Continue the tests for all of the remaining cylinders in turn.

**NOTE:** A variation in compression readings between cylinders is often a better indication of engine problems than the individual values of compression.

COMPRESSION CONDITION	ACTION/DIAGNOSIS
Low compression reading on some cylinders.	(a) Use oil in cylinder to see if rings are worn. (b) If compression increases, rings and/or cylinder wall are worn. (c) If compression does not rise, do a cylinder leakage test to determine source of problem.
High relative compression readings and relatively equal cylinder readings.	If excessive exhaust emissions, lack of power, poor performance, or poor fuel consumption do a cylinder leakage test to determine source of problem.
Lower relative compression readings. One or more cylinders lower than others.	Do a cylinder leakage test to determine source of problem.

### 4.3. TDC Indicator Tool.

4.3.1. Remove the glow/spark plug from cylinder number 1. It may also be necessary to remove all glow/spark plugs to facilitate manual turning over of the engine.

4.3.2. Select the applicable adaptor from the kit and screw it into the glow/spark plug port of cylinder number 1. Ensure that there is a good seal with the O-ring (if fitted). Connect the coupling on the TDC finder to the adaptor, ensuring it locks into place.

4.3.3. Position the indicator in a vertical position, in a suitable viewable location, using the magnetic hook if needed.

4.3.4. Turn the engine over manually, using a spanner or socket on the crankshaft pulley, in the direction of engine rotation and watch for the float to rise in the tube. As the piston rises on the compression stroke, the float will rise to the top of the tube and stay there, when the piston goes past TDC and compression is lost, the float will suddenly sink. Note the position and temporarily make suitable marks to indicate TDC, or compare with existing timing marks.

4.3.5. Turn the engine over a further 1¼ turns and the float should start to rise again as the piston rises on the compression stroke. Continue to slowly turn the crankshaft towards TDC (watching the timing marks) - note the exact point when the float drops. Alter the timing mark if required.

4.3.6. Repeat the procedure, turning the engine over a further 2 turns to re-check for accuracy.

4.3.7. Disconnect the TDC tool from the adaptor and remove the adaptor from the glow/spark plug port.

### 4.4. Leakage Testing - Connecting to an Air Line.

4.4.1. The recommended hook-up is shown in Fig.1. An air pressure of 45 to 100psi is required.

4.4.2. Ensure that the air valve regulator is in the "off" position before connecting to the air supply.

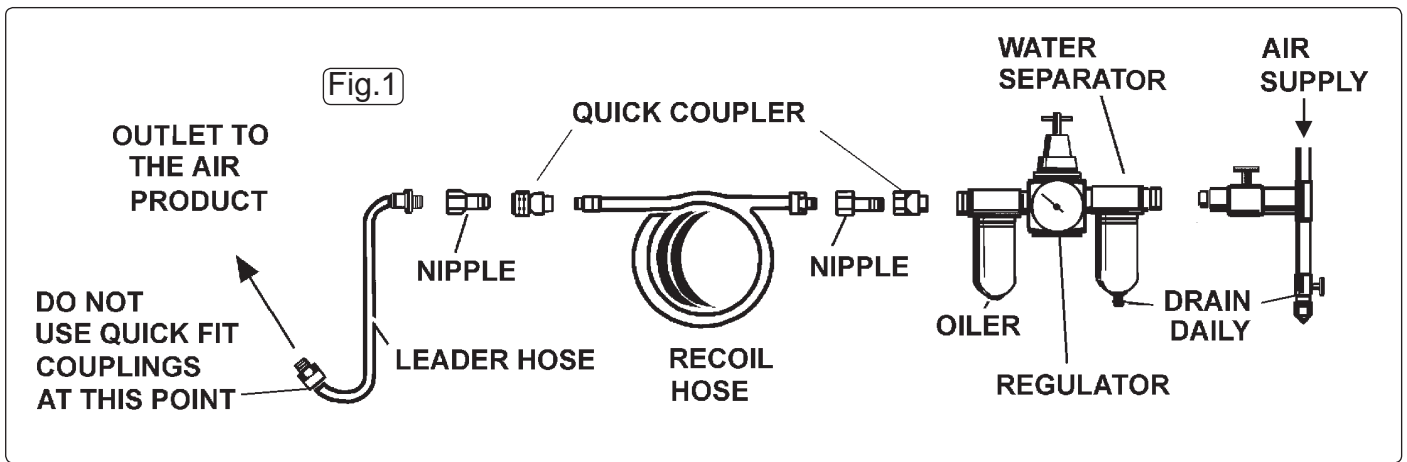
**WARNING!** Ensure that the air supply is clean and does not exceed the pressure quoted. Too high an air pressure and/or unclean air will shorten the life of the tester due to excessive wear and may be dangerous, causing damage and/or personal injury.

4.4.3. Drain the compressor air tank daily. Water in the air line will damage the tester.

4.4.4. Clean compressor air inlet filter weekly.

4.4.5. Line pressure should be increased to compensate for unusually long air hoses (over 8 metres). The minimum bore for hose and fittings is 1/4".

4.4.6. Keep hoses away from heat, oil and sharp edges. Check hoses for wear and make certain that all connections are secure.



**NOTE:** It is our policy to continually improve products and as such we reserve the right to alter data, specifications and component parts without prior notice.

**IMPORTANT:** No liability is accepted for incorrect use of this product.

**WARRANTY:** Guarantee is 12 months from purchase date, proof of which will be required for any claim.

**INFORMATION:** For a copy of our latest catalogue and promotions call us on 01284 757525 and leave your full name and address, including postcode.

	<b>Sole UK Distributor, Sealey Group,</b> Kempson Way, Suffolk Business Park, Bury St. Edmunds, Suffolk, IP32 7AR	01284 757500	<a href="http://www.sealey.co.uk">www.sealey.co.uk</a>
		01284 703534	<a href="mailto:sales@sealey.co.uk">sales@sealey.co.uk</a>



# VSE3155.V4

## DIESEL VEHICLE APPLICATION LIST

Make / Model	Engine	Type	Information	Year	Adaptor No
<b>Alfa Romeo</b>					
145	1.9	TD	AR67501 (AR67502NO)	04/94 -> 09/96	2
145	1.9	TD	AR33601	10/96 -> 09/97	2
145	1.9	JTD	AR32302	01/98 -> 01/01	14
146	1.9	TD	AR67501 (AR67502NO)	02/95 -> 09/96	2
146	1.9	TD	AR33601	10/96 -> 09/97	2
146	1.9	JTD	AR32302	01/98 -> 01/01	14
147	1.9	JTD	937A2.000	03/01 ->	14
147	1.9	JTD	182B9.000	06/03 ->	14
147	1.9	JTD	AR37101	07/05 ->	14
155	1.9	TD	AR67502	04/93 -> 04/96	2
155	2.5	TD	VM07, VM31B, VM425CLIEA	05/95 -> 01/98	12
156	1.9	JTD	AR32302	01/98 ->	14
156	1.9	JTD	AR37101	10/00 -> 05/01	14
156	1.9	JTD	937A2.000	05/01 ->	14
156	2.4	JTD	AR32501	01/98 -> 09/00	14
156	2.4	JTD	AR32501	02/98 -> 11/99	14
156	2.4	JTD	839A6.000	10/00 ->	14
156	2.4	JTD	841C.000	03/02 ->	14
156	2.4	JTD	841G.000	11/03 ->	14
159	1.9	JTD	939A1.000	09/05 ->	14
164	2.5	TD	VM08B, VM32B, VM425-SLIRA	05/95 -> 09/98	12
166	2.4	JTD	AR34202	10/98 -> 09/00	14
166	2.4	JTD	AR36202	10/00 ->	14
166	2.4	JTD	841C.000	04/02 ->	14
Brera	1.9	JTD	939A1.000	06/06 ->	14

<b>Audi</b>					
A2	1.2	TDi	ANY	02/00 ->	12
A2	1.4	TDi	AMF	02/00 -> 08/03	12
A3	1.9	TDi	AGR, AHF, AJM, ALH	09/96 -> 05/03	12
A3	1.9	TDi	ASV	01/97 -> 07/98	12
A3	1.9	TDi	ANU	08/98 ->	12
A3	1.9	TDi	ASZ	10/00 -> 05/03	12
A3	1.9	TDi	ATD	10/00 ->	12
A3	1.9	TDi	AXR	10/00 -> 09/01	12
A3	1.9	TDi	AZV, BKD	03/03 ->	12
A4	1.9	D	AFF, AHH	03/96 -> 07/97	12
A4	1.9	TDi	1Z	01/95 -> 07/96	12
A4	1.9	TDi	AFN	02/96 -> 06/00	12
A4	1.9	TDi	AFF	03/96 -> 06/00	12
A4	1.9	TDi	AHU	08/96 -> 06/00	12
A4	1.9	TDi	AJM	01/98 -> 12/98	12
A4	1.9	TDi	AVG	08/99 -> 06/00	12
A4	1.9	TDi	ATJ	03/00 -> 09/01	12
A4	1.9	TDi	ATD	09/01 ->	12
A4	1.9	TDi	AVB	09/01 -> 04/04	12
A4	1.9	TDi	AVF, AWX	01/01 ->	12
A4	2.5	TDi	AFB, AKN	09/97 -> 09/01	16
A4	2.5	TDi	AKE, AVL	11/00 ->	16
A4	2.5	TDi	AYM	08/01 -> 07/02	16
A4	2.5	TDi	BFC, BDG, BCZ	07/02 ->	16

**Audi (Continued)**

A6	1.9	TDi	1Z, AHU	07/94 -> 10/97	12
A6	1.9	TDi	AFN	04/97 -> 04/01	12
A6	1.9	TDi	AJM	01/98 -> 04/01	12
A6	1.9	TDi	AVF, AWX	07/01 ->	12
A6	2.5	TDi	AAT, AEL	06/94 -> 10/97	12
A6	2.5	TDi	AFB	04/97 -> 07/98	16
A6	2.5	TDi	AKN	07/98 -> 05/01	16
A6	2.5	TDi	AKE	02/00 ->	16
A6	2.5	TDi	AYM	08/01 -> 06/02	16
A6	2.5	TDi	BFC, BDG, BCZ	07/02 ->	16
A6	2.5	TDI	BAU, BDH	02/00 -> 01/05	16
A8	2.5	TDi	AFB	06/97 -> 09/98	16
A8	2.5	TDi	AKN	07/98 -> 09/98	16
A8	3.0	TDI	ASB	08/03 ->	16
A8	4.0	TDI	ASE	03/03 ->	16
A8	3.3	TDi	AKF	09/99 -> 09/02	16
Allroad	2.5	TDi	AKE	05/01 ->	16
Cabrio	1.9	TDi	1Z	07/95 -> 06/96	12
Cabrio	1.9	TDi	AHU	07/96 -> 11/00	12

**BMW**

3-Series	318 (E36)	TDS	M41	09/94 -> 01/98	2
3-Series	318 Compact (E36)	TDS	M41 D18U	03/94 -> 07/01	2
3-Series	320 (E46)	D	M47 D20	04/98 -> 09/01	12
3-Series	320 Compact (E46)	TD	M47 N204 D4	09/01 ->	12
3-Series	325 (E36)	TD	M51	09/91 -> 01/98	2
3-Series	325 (E36)	TDS	M51	08/93 -> 03/98	2
3-Series	330 (E46)	Di	DDE306, M57 D30	08/99 -> 02/05	12
3-Series	330 (E46)	D	M57306D1	08/00 -> 02/05	12
3-Series	330 (E46)	Di	M57 D30	06/00 -> 02/05	12
5-Series	520 (E39)	Di	M47 D20	06/02 ->	12
5-Series	520 (E39)	D	M47 D20	02/00 -> 05/02	12
5-Series	524 (E34)	TD	M21	03/88 -> 09/91	2
5-Series	525 (E39)	D	M57 D25	02/00 -> 06/03	12
5-Series	525 (E34)	TD	M51 D25	09/91 -> 12/96	2
5-Series	525 (E34)	TDS	M51 D25	08/93 -> 01/96	2
5-Series	525 (E39)	TDS	M51 D25	01/96 -> 06/03	2
5-Series	525 (E39)	TDS	M51 D25	01/97 -> 06/98	2
5-Series	525 (E39)	TDS	M57 D25	02/00 -> 05/04	12
5-Series	530 (E39)	D	M57 D30	05/98 -> 09/00	12
7-Series	725 (E38)	TDS	M51 D25	02/96 -> 09/98	2
7-Series	730 (E38)	D	M52 D30H	05/98 ->	12
7-Series	740 (E38)	TD	M67 D40	01/99 ->	15
X5	2.9 (E53)	Di	M57 D30	05/01 -> 06/03	12

**Chrysler**

Grand Voyager	2.5	TD	VM HR425 CLIEE	05/95 -> 04/01	12
Jeep Cherokee	2.5	TD	VM HR425 CLIRX	10/94 ->	2
Jeep Grand Cherokee	2.5	TD	VM HR492/VM 425CLIRE	01/93 ->	2
Jeep Grand Cherokee	2.5	TD	ENC	04/99 ->	12
Jeep Grand Cherokee	3.1	TD	EXA	04/99 ->	12
PT Cruiser	2.2	CRD	EDJ	03/02 ->	15
Voyager	2.2	TD	VM HR 492 /VM 425 CLIRE	06/92 -> 01/96	2
Voyager	2.5	TD	VM HR 425 CLIEE	04/92 -> 04/95	2
Voyager	2.5	TD	VM	05/95 -> 04/01	12

Citroen					
AX	1.5	D	TUD5	10/94 -> 04/97	12
Berlingo	1.8	D	XUD7	08/96 -> 08/98	2
Berlingo	1.8	TD	DW8TD	09/98 ->	12
Berlingo	1.9	D	XUD9A	07/96 -> 08/98	2
Berlingo	1.9	D	DW8B	07/98 ->	12
Berlingo	1.9	Di	XUD9A	09/98 ->	2
Berlingo	2.0	HDi	DW10	10/99 ->	17
C1	1.4	HDi	DV4D	06/05 ->	20
C2	1.4	HDi	DV4TD (8HX)	2003 ->	20
C3	1.4	HDi	DV4	02/02 ->	20
C3	1.4	HDi	DV4TED4	02/02 ->	20
C4	1.6	HDi	DV6ATED4 (9HX)	11/04 ->	20
C4	1.6	HDi	DV6TED4 (9HY/9HZ)	11/04 ->	20
C4 (Grande) Picasso	1.6	HDi	DV6ATED4 (9HY)	10/06 ->	20
C5	1.6	HDi	DV6TED4	09/04 ->	20
C5	2.0	HDi	DW10TD, DW10TED	01/01 ->	17
C5	2.2	HDi	DW12TED4	01/01 ->	17
C8	2.0	HDi	DW10TD, DW10TED	07/02 ->	17
C8	2.2	HDi	DW12TED4	2002->	17
C15	1.8	D	XUD7	06/95 ->	2
C15	1.9	D	DW8B	07/98 ->	12
C25	1.9	D	XU9DA	07/87 -> 01/94	2
C25	2.5	TD	CRD 93 LS	04/87 -> 01/94	2
C35	2.5	D	CRD 93 B	01/80 -> 01/94	2
CX	2.5	TD	M25-669,671	01/87 -> 12/92	2
Dispatch	1.9	D	XUD9AU	03/94 -> 08/98	2
Dispatch	1.9	D	XUD9AU	09/98 ->	12
Dispatch	1.9	TD	XUD9TF	03/94 -> 08/98	2
Dispatch	1.9	TD	XUD9TF	09/98 ->	12
Dispatch	2.0	HDi	DW10	09/98 ->	17
Dispatch	2.4	D	DJ5	03/94 ->	2
Dispatch	2.4	TD	DJ5T	03/94 -> 08/96	2
Dispatch	2.5	TDi	DJ5TED	09/96 ->	15
Evasion	1.9	TD	XUD9TF, XUD9BTF	07/94 -> 10/02	2
Evasion	2.0	HDi	DW10ATED	07/99 -> 10/02	17
Evasion	2.0	TD	DHX	05/97 -> 10/02	2
Evasion	2.1	TD	XUD11BTE	05/96 -> 10/02	2
Jumper	1.9	D	XUD9AU	03/94 -> 05/95	2
Jumper	1.9	D	XUD9, XUD9AU	06/95 ->	2
Jumper	1.9	TD	XUD9TF	03/94 ->	2
Jumper	2.0	HDi	DW10, DW10TD	09/98 ->	17
Jumper	2.2	HDi	DW12TED	04/02 ->	17
Jumper	2.2	HDi 100	4HV	04/06 ->	18
Jumper	2.2	HDi 120	4HU	04/06 ->	18
Jumper	2.5	D	DJ5	03/94 ->	2
Jumper	2.5	D	DJ5TE	03/94 -> 08/96	2
Jumper	2.5	D	DJ5	03/94 ->	2
Jumper	2.5	TD	DJ5TE	03/94 -> 12/96	2
Jumper	2.5	TDi	DJ5TED	09/96 ->	15
Jumpy	1.9	D	XUD9A	09/95 ->	2
Jumpy	1.9	D	DW8	07/98 ->	12
Jumpy	1.9	TD	XUD9TF	09/95 ->	2
Jumpy	2.0	HDi	RHX	10/99 ->	17
Jumpy	2.0	HDi	DW10ATED, BTED, TED4	2000 ->	17
Nemo	1.4	HDi	DV4TED	02/08 ->	20
Relay	1.8	D	DW8	09/98 ->	12
Relay	1.8	TD	DW8TD	09/98 ->	12
Relay	1.9	D	XUD9A	09/95 ->	2
Relay	1.9	TD	XUD9TF	09/95 ->	2

**Citroen (Continued)**

Relay	2.0	HDi	DW10	2000 ->	17
Saxo	1.5	D	TUD5,5B	02/96 -> 10/03	12
Synergie	1.9	TD	XUD9TF, XUD9BTF	01/94 -> 08/98	2
Synergie	1.9	TD	DW8	09/98 ->	12
Synergie	1.9	TD	XUD9TF, XUD9BTF	09/98 ->	2
Synergie	2.0	HDi	DW10ATED	07/99 ->	17
Synergie	2.1	TD	XUD11BTE	05/96 -> 2002	2
Visa	1.8	D	XUD7	01/87 -> 03/91	2
Xantia	1.9	D	XUD9 AL	03/93 -> 01/96	2
Xantia	1.9	D	XUD9SD	06/94 ->	2
Xantia	1.9	D	XUD9A	02/96 -> 08/98	2
Xantia	1.9	TD	XUD9BTF	03/93 ->	2
Xantia	2.0	HDi	DW10TD, DW10ATED	07/98 ->	17
Xantia	2.1	TD	XUD11BTE	05/95 ->	2
XM	2.1	D	XUD 11A,L	05/89 -> 06/95	2
XM	2.1	TD	XUD 11ATE,L,BTE	05/89 -> 05/01	2
XM	2.1	TD	XUD11ATE,BTE	07/94 -> 12/00	2
XM	2.5	TD	DK5ATE	07/94 -> 05/01	2
Xsara	1.4	HDi	DV4	2003 ->	20
Xsara	1.5	D	TUD5	09/97 ->	12
Xsara	1.8	D	XUD7	09/97 ->	2
Xsara	1.8	TD		09/97 ->	2
Xsara	1.9	D	XUD9A	09/97 ->	2
Xsara	1.9	D	DW8,8B	04/98 ->	12
Xsara	1.9	D	XUD9BSD	09/98 ->	2
Xsara	1.9	TD	XUD9TE, XUD9TE/Y	09/97 -> 08/98	2
Xsara	1.9	TD	XUD9TE, XUD9BSD	09/98 ->	2
Xsara	2.0	HDi	DW10TD	04/99 ->	17
Xsara	2.0	HDi	RHZ DW10ATED	05/01 ->	17
Xsara Picasso	1.6	HDi	DV6TED4	05/04 ->	20
Xsara Picasso	2.0	HDi	DW10TD, DW10ATED	12/99 ->	17
ZX	1.5	D	TUD5	10/94 -> 06/98	12
ZX	1.8	D	XUD7	05/94 -> 06/98	2
ZX	1.9	D	XUD 9A,L	03/91 -> 06/98	2
ZX	1.9	TD	XUD9T,L	09/92 -> 06/98	2

**Daewoo**

Daewoo	1.9	D	F8Q-290	02/99 -> 01/05	13
Daewoo	1.9	D	F8Q-292	06/99 -> 01/05	13
Korando	2.9	D	MB-OM662	01/99 -> 01/05	3
Korando	2.9	TD	MB-OM601	01/99 -> 01/05	3
Musso	2.2	TD	MB OM 601	09/99 ->	3
Musso	2.3	TDi	OM661LA	01/99 -> 01/05	3
Musso	2.9	D	OM622LA	01/99 -> 01/05	3
Musso	2.9	TD	MB-OM60129TD	01/99 -> 09/99	3
Rexton	2.9	TD		04/02 ->	3

**Daihatsu**

Delta	3.4	D	3B	05/95 ->	4
Delta Wide	2.0	D	2C	08/95 -> 11/96	4
Hijet (S85)	1.2	D	LDW	05/95 -> 02/98	2

**FIAT**

Brava	1.9	D	160A7.000	09/95 -> 03/96	2
Brava	1.9	JTD	182B4000	10/98 -> 2002	14
Brava	1.9	JTD	182B9000	09/00 -> 2002	14
Bravo	1.9	D	160A7.000	09/95 -> 03/96	2
Bravo	1.9	JTD	182B4000	10/98 -> 2002	14



**FIAT (Continued)**

Bravo	1.9	JTD	182B9000	09/00 -> 2002	14
Croma	1.9	D	939A1.000	06/05 ->	14
Croma	2.5	D	8144.67	1990-> 1997	2
Croma	2.5	TD	8144.91.200,8144.97	01/93 -> 12/93	2
Doblo	1.9	JTD	182B9.000	01/01 ->	14
Doblo	1.3	JTD	188A9.000	02/04 ->	48
Ducato	1.9	D	230.A2.000	03/94 -> 04/02	2
Ducato	1.9	D	DJY	04/98 ->	12
Ducato	1.9	TD	280A1.000	01/90 -> 02/94	2
Ducato	1.9	TD	230A4.000	03/94 -> 04/02	2
Ducato	1.9	TD	230A3.001	03/94 -> 04/02	2
Ducato	1.9	TD	230A3.000	03/94 ->	2
Ducato	1.9	TD	DHX	04/98 ->	2
Ducato	2.0	JTD	RHV (DW10)	10/01 ->	17
Ducato	2.5	TD		03/94 ->	2
Elba	1.7	D		04/89 -> 12/96	2
Fiorino	1.7	D		1992 ->	2
Fiorino	1.7	TD	146D7.000	1997 ->	2
Grande Punto	1.9	D		10/05 ->	14
Idea	1.9	JTD	188B2.000	01/04 ->	14
Idea	1.3	JTD	188 A9.000	02/04 ->	48
Linea	1.3	D		06/07 ->	48
Marea	1.9	JTD	182B4.000	10/98 -> 08/00	14
Marea	1.9	JTD	186A6.000	09/00 ->	14
Marea	2.4	JTD	185A6.000	10/98 -> 04/99	14
Marea	2.4	JTD	839A5.000	04/99 ->	14
Marea	2.4	JTD	185A6.000	04/99 ->	14
Marengo	1.9	D	160A7.000	01/92 ->	2
Marengo	1.9	TD	160.A6.000	01/92 -> 12/96	2
Multipla	1.9	JTD	182B4.000	03/99 ->	14
Multipla	1.9	JTD	186A6.000	09/00 -> 07/02	14
Multipla	1.9	JTD	186A8.000	07/02 ->	14
Palio	1.7	D	176A3.000	04/96 ->	2
Palio	1.7	TD	176A3.000	04/96 ->	2
Palio	1.9	JTD	188A2.000	01/01 ->	14
Palio Weekend	1.7	TD	176A3.000	07/97 ->	2
Panda	1.3	JTD	188 A9.000	01/04 ->	48
Punto	1.7	D	176A3.000	06/93 -> 1999	2
Punto	1.7	D	176A3000, 176B3000	04/94 -> 11/96	2
Punto	1.7	TD	176TD 1697 TT	06/93 -> 09/96	2
Punto	1.7	TD	176B7.000	09/96 -> 09/99	2
Punto	1.7	TD	176A5.000	10/96 -> 09/99	2
Punto	1.7	JTD	188A7.000	02/00 ->	14
Punto	1.7	TDS	176A5000	04/96 -> 02/00	2
Punto	1.9	JTD	188A2.000	08/99 ->	14
Punto	1.9	JTD	188A7.000	07/01 ->	14
Punto	1.3	JTD	189A9.000	06/03 ->	48
Punto Grande	1.3	TD	188A9.000	01/06 ->	48
Scudo	1.8	D	DW8,B	09/98 ->	12
Scudo	1.8	TD	DW8TD	09/98 ->	12
Scudo	1.9	D	D9B	1995-> 07/98	2
Scudo	1.9	TD	D8B	1995-> 07/98	2
Scudo	2.0	JTD	DW10ATED4, DWBTED, RHW	2000->	17
Sedici	1.9	JTD		06/06 ->	14
Stilo	1.9	D		09/05 ->	14
Stilo	1.9	JTD	192A3.000	10/01 ->	14
Stilo	1.9	JTD		10/01 ->	14
Stilo	1.9	JTD	192A1.000	10/01 -> 12/02	14
Stilo	2.4	JTD	839A6.000	10/01 ->	14

<b>FIAT (Continued)</b>					
Strada	1.9	JTD	188A2.000	04/03 ->	14
Strada	1.3	D	223A9.000	05/06 ->	48
Tempra	1.9	D	160 A.000	02/91 -> 09/96	2
Tempra	1.9	D	160A6.000	02/91 -> 09/96	2
Tempra	1.9	TD	160B6.046	07/91 -> 12/96	2
Tempra	1.9	TD	160D.1000	04/93 -> 09/96	2
Tipo	1.9	TD	160D.1000	04/93 -> 09/95	2
Tipo	1.9	TD	160A7.000	06/93 -> 10/95	2
Ulysse	1.9	JTD	XUD9TU	09/94 -> 03/99	2
Ulysse	2.0	TD	XUD11 ATE	05/96 ->	2
Ulysse	2.0	TD	RHZ	10/99 ->	17
Ulysse	2.0	JTD	DW10ATED, RHW	12/99 ->	17
Ulysse	2.1	TD	P8C	08/96 -> 10/99	2
Ulysse	2.2	JTD	DW12ATED,4HW	04/03 ->	17
500	1.3	D	169A1.000	10/07 ->	48

<b>Ford</b>					
Courier	1.8	D	RTJ,RTK	02/96 -> 07/98	2
Courier	1.8	Di	RTP	01/00 -> 12/01	2
Escort	1.8	TD	RVA	08/90 -> 07/98	2
Escort	1.8	TD	RFS	01/95 -> 02/99	2
Escort Van	1.8	TD	RVA	12/95-06/01	2
Fiesta	1.4	TDCi	DV4	2001 ->	20
Fiesta	1.6	TDCi	HHJA / HHJB	11/04 ->	20
Fiesta	1.8	D	D18NA,RTK,RTJ	11/95 -> 04/00	2
Fiesta	1.8	Di	RTQ Endura	01/00 -> 12/01	2
Fiesta	1.8	Di	RTN, RTP, RTQ Endura	04/00 ->	2
Fiesta	1.8	TD		11/95 ->	2
Fiesta Van	1.8	D	RTK	02/96 ->	2
Fiesta Van	1.8	D	RTJ,RTK	05/98 ->	2
Focus	1.6	TDCi	HHDA, HHDB	01/05 ->	20
Focus	1.6	TDCi	G8BA / G8DA	11/04 ->	20
Focus C-Max	1.6	TDCi		02/05 ->	20
Focus C-Max	1.6	TDCi	G8BA / G8DA	10/03 ->	20
Fusion	1.4	TDCi		2001->	20
Fusion	1.4	TDCi		06/03 ->	20
Fusion	1.6	TDCi	HHJA / HHJB	11/04 ->	20
Galaxy	1.9	TD	1Z,AHU,ANU	10/95 -> 10/01	12
Galaxy	1.9	TDi	AFN	02/95 -> 04/00	12
Galaxy	1.9	TDi	AVG	06/99 ->	12
Galaxy	1.9	TDi	AUY	04/00 -> 09/01	12
Galaxy	1.9	TDi	AHU, 1Z, ANU	10/01 ->	12
Galaxy	1.9	TDi	AUY	10/01 ->	12
Maverick	2.7	TD	TD27T	02/93 -> 07/96	8
Maverick	2.7	TD	TD27E	08/96 -> 05/01	8
Mondeo	1.8	TDi	D18TDi	09/96 -> 09/00	2
Mondeo	1.8	TD Di	R5BA	10/00 ->	18
Mondeo	2.0	TDi	D5BA,D6BA	10/00 ->	18
Mondeo	2.0	TDCi		2002->	18
Mondeo	2.2	TDCi	QJBA, QJBB	09/04 ->	18
Ranger	2.5	D	WL (MD25NA)	10/99 -> 04/02	8
Ranger	2.5	TD	WL-T (MD25TI)	10/99 ->	8
Scorpio	2.5	TD	SCB,SCC (E2D36)	11/94 -> 06/96	12
Scorpio	2.5	TD	SCD	09/96 -> 08/98	12
Tourneo	2.0	Di		06/01 ->	18
Transit	2.0	Di		08/00 ->	18
Transit	2.0	TDi	D3FA,ABFA	03/99 ->	18
Transit	2.2	TDCi	P8FA	06/07 ->	18

<b>FORD (Cont'd)</b>					
Transit	2.2	TDCi	QVFA	06/07 ->	18
Transit	2.2	TDCi	QWFA	06/07 ->	18
Transit	2.4	Di	D2FE,D2FA	01/00 ->	18
Transit	2.4	Di	D4FA	01/00 ->	18
Transit	2.4	TDi	F4FA	01/00 ->	18
Transit	2.4	TDCi	PHFA	06/07 ->	18
Transit	2.4	TDCi	JXFA	06/07 ->	18
Transit	2.4	TDCi	H9FB	06/07 ->	18

<b>FSO</b>					
Polonez	1.9	D	XUD9A	1991 ->	2

<b>Honda</b>					
Accord	2.0	TDi	L Series 20TN2	05/95 -> 10/98	12
Accord	2.0	TDi		02/99 ->	12
Civic	1.7	CTDi	4EE-2	2002->	11
Civic	2.0	D	L Series	03/96 -> 2001	12
Civic	2.0	TDi	20TN2-20T2R	10/97 ->	12
Civic Aerodeck	2.0	TDi	20T2N	05/98 -> 2001	12
Civic Fastback	2.0	TDi	20T2N	10/97 -> 02/01	12
Concerto	1.8	TD	XUD7T	08/94 -> 10/96	2

<b>Hyundai</b>					
Galoper	2.5	TD		08/91 -> 07/98	8
Galoper	2.5	TD	D4BH	08/98 ->	8
H-1	2.5	TD	D4BH	03/00 ->	8
Starex	2.5	TD		06/97 ->	8

<b>Isuzu</b>					
Rodeo	2.2	TD	C223 (T)	1981->08/07	9

<b>Jeep</b>					
Cherokee	2.5	TD	VM	10/94 ->	2
Cherokee	3.1	TD		09/01 ->	12
Commander	3.0	CRD	Mercedes	2006 ->	15
Grand Cherokee	2.5	TD	VM	01/93 -> 02/99	12
Grand Cherokee	2.5	TD		03/99 ->	12
Grand Cherokee	2.7	CRD		11/01 ->	12
Grand Cherokee	3.1	TD		03/99 ->	12

<b>Kia</b>					
Besta	2.2	D	R2	02/96->	8
Magentis	2.0	CRDi	D4 EA	04/06 ->	15
Pregio	2.7	D	J2	10/97 ->	8
Pregio	3.0	D	JT-MotorW3,NB9	01/98 ->	8
Prontier	3.0	D	JT-MotorW3,NB9	01/98 ->	8
Retona	2.0	TD		06/99->	8
Sportage	2.0	TD	RF	10/97 -> 09/98	8
Sportage	2.0	TD	4WD	1997 ->	8

<b>Lada</b>					
Cossack	1.9	D	Peugeot XUD 9L	01/94 ->	2
Hussar	1.9	D	Peugeot XUD 9L	01/94 ->	2
Niva	1.9	D	Peugeot XUD 9L	01/94 ->	2
Sagona	1.5	D	TUD5L	11/96 ->	12
Samara	1.5	D	TUD5L	11/96 ->	12

<b>Lancia</b>					
Kappa	2.4	JTD	838A8.000	05/98 -> 10/01	14
Lybra	1.9	JTD	AR32302	07/99 ->	14
Lybra	1.9	JTD	AR3701	09/00 -> 05/01	14
Lybra	1.9	JTD	AR32302	05/01 ->	14
Lybra	2.0	JTD	839A5000	09/00 ->	14
Lybra	2.2	JTD	839A5000	05/02 ->	14
Lybra	2.4	JTD	839A5000	07/99 ->	14
Musa	1.9		188B2.000	10/04 ->	14
Musa	1.3		189 A9.000	10/04 ->	48
Phedra	2.0	JTD	RHM	07/03 ->	17
Phedra	2.0	JTD	DW10TD,DW10TED	09/02 ->	17
Phedra	2.2	JTD	DW12TED4	09/02 ->	17
Thesis	1.9	JTD		10/01 ->	14
Thesis	1.9	JTD		10/01 ->	14
Thesis	2.4	JTD	841C.000	04/02 ->	14
Ypsilon	1.3	JTD	189 A9.000	10/04 ->	48
Zeta	1.9	TD	XUD 9T	04/95 -> 09/02	2
Zeta	2.0	D		2000-> 09/02	17
Zeta	2.1	TD	P8C	07/96 -> 1999	2

<b>Land Rover</b>					
Defender	2.5 (90)	TDi	23L	09/90 -> 12/98	15
Defender	2.5 (110)	TDi	23L	09/90 -> 12/98	15
Defender	2.5	Td5		06/98 ->	15
Discovery	2.5	TDi	12L 21L	08/96 ->	15
Discovery	2.5	TDi	19L	10/95 ->	15
Freelander	2.0	Di	20TCIE	07/97 -> 11/00	12
Freelander	2.0	Td4	M47 D20 (BMW)	11/00 ->	12
Range Rover	2.5	TDi	14L	08/94 -> 03/02	15
Range Rover	2.5	TDS	M51 D25 (BMW)	11/94 -> 03/02	2
Range Rover	3.0	Td6	M57 D30 (BMW)	03/02 ->	12

<b>LDV</b>					
200	1.9	D	XUD9	10/94 -> 03/96	2
200	2.0	D		1989-> 03/96	2
400	2.5	D		1989-> 03/96	2
400	2.5	TD		1989 -> 10/98	2
Cub	2.3	D	LD23	07/98 ->	8
Pilot	1.9	D	XUD9A	04/96 ->	2

<b>Mazda</b>					
121	1.8	D	RTJ	03/96 ->	2
2	1.4	CD	F6JA	04/03 ->	20
3	1.6	DI Turbo	Y601	06/04->	20
626	2.0 (GE)	D	RF	10/92 -> 04/97	8
626	2.0	D	RF-CX	05/93 -> 11/96	8
626	2.0	D		11/94 -> 02/98	8
B2500	2.5	TD	MD25 TI	06/99 ->	8
E2200	2.2	D	R2	02/97 ->	8
MPV	2.5	TD		05/96->09/99	8

<b>Mercedes</b>					
200	290 - 2.9	TD	OM602.942	04/92 ->	3
200	290 - 2.9	TDi	OM602.983	07/97 ->	3
300	350 - 3.5	D	OM603.972	09/91 -> 09/96	3
300	350 - 3.5	TD	603.972	09/93 -> 08/96	3
400	408 - 2.3	D	OM601	09/88 -> 10/94	3
500	508 - 2.3	D		03/89 -> 07/96	3

## Mercedes Cont'd

600	612 - 2.9	TD	602980	08/96 ->	2
C-Class	C180 - 1.8	D	(202) OM604	10/98 -> 05/00	3
C-Class	C200 - 2.0	D	(202) OM601.913	06/93 -> 05/00	3
C-Class	C200 - 2.0	D	(202) OM604.915	10/96 -> 05/00	1
C-Class	C200 - 2.1	CDi	(203) OM611.962	09/00 ->	15
C-Class	C200 - 2.1	CDi	(203) OM	04/03 ->	15
C-Class	C200 - 2.2	CDi	(202) OM611.960	03/98 -> 05/00	15
C-Class	C200 - 2.2	CDi	OM	03/98 -> 05/00	15
C-Class	C220 - 2.2	D	(202) OM604.910, 021.056->	07/93 -> 05/98	3
C-Class	C220 - 2.2	D	(202) OM611.913/915	07/96 -> 05/00	1
C-Class	C220 - 2.2	CDi	(202) OM611.960	09/97 -> 05/00	15
C-Class	C220 - 2.2	CDi	(203) OM611.962	05/00 -> 02/04	15
C-Class	C220 - 2.2	CDi	(203) OM646.963	02/04 ->	15
C-Class	C250 - 2.5	TD	(202) OM605.960	05/96 -> 05/00	1
C-Class	C270 - 2.7	CDi	(203) OM612.962	06/00 ->	15
CLK-Class	CLK270 - 2.7	CDi	(209) OM612.962/967	10/02 ->	15
E-Class	E200 - 2.0	D	(210) OM604.917	06/95 -> 07/99	1
E-Class	E200 - 2.1	CDi	(210) OM611.960	06/98 -> 07/99	15
E-Class	E200 - 2.1	CDi	(210) OM611.962	07/99 -> 03/02	15
E-Class	E200 - 2.1	TD	(211) OM	06/02 ->	15
E-Class	E220 - 2.2	D	(210) OM604.912	03/95 -> 06/98	1
E-Class	E220 - 2.2	D	(210) OM604.913	05/96 -> 07/99	1
E-Class	E220 - 2.2	CDi	(210) OM611.961	07/98 -> 06/00	15
E-Class	E220 - 2.2	CDi	(210) OM611.962	07/99 -> 03/02	15
E-Class	E220 - 2.2	CDi	(210) OM611.961	03/02 ->	15
E-Class	E250 - 2.5	D	(124) OM605.911	07/93 -> 05/96	1
E-Class	E250 - 2.5	TD	(124) OM602.962	07/93 -> 06/95	3
E-Class	E250 - 2.5	TD	(210) OM605.912	03/95 -> 05/95	1
E-Class	E250 - 2.5	TD	(210) OM605.962	07/97 -> 07/99	1
E-Class	E270 - 2.7	CDi	(210) OM612.961	07/99 -> 03/02	15
E-Class	E270 - 2.7	CDi	(211) OM647.961	04/02 ->	15
E-Class	E300 - 3.0	TD	(124) OM603.960 / 963	07/93 -> 05/95	3
E-Class	E300 - 3.0	TD	(124) OM606.910	06/95 -> 06/96	1
E-Class	E300 - 3.0	TD	(210) OM606.962	06/96 -> 08/99	1
E-Class	E320 - 3.2	DCi	(210) OM613.961	07/99 -> 03/02	15
E-Class	E320 - 3.2	DCi	9211) OM648,961	11/02 ->	15
G-Class	G240 - 2.5	D	(460) OM602.930	02/89 -> 12/92	3
G-Class	G270 - 2.7	CDi	(463) OM612.966	10/01 ->	15
G-Class	G300 - 3.0	TD	(463) OM606.964	09/96 -> 09/00	1
G-Class	G350 - 3.5	TD	(463) OM603.972	08/93 -> 09/96	3
G-Class	G400 - 4.0	CDi	(463) OM628.962	09/00 ->	15
ML-Class	ML270 - 2.7	CDi	(163) OM612.963	02/98 ->	15
ML-Class	ML400 - 4.0	CDi	(163) OM628.963	09/01 ->	15
S-Class	S300 - 3.0	TD	(140) OM606.961	06/96 -> 10/98	1
S-Class	S320 - 3.2	CDi	(220) M613.960	01/00 ->	15
S-Class	S350 - 3.5	TD	(140) OM603.971	10/95 -> 08/96	1
S-Class	S400 - 4.0	CDi	(220) M628.960	01/00 ->	15
Sprinter	2.2	CDi	OM611.960	04/00 ->	15
Sprinter	2.2	CDi		04/00 ->	15
Sprinter	2.2	CDi	OM611A	04/00 ->	15
Sprinter	2.3	D	OM601.943	12/94 -> 03/00	3
Sprinter	2.7	CDi	OM612	04/00 ->	15
Sprinter	2.9	D	OM602.980.10 (Dela ->9849)	02/95 ->	2
Sprinter	2.9	D	OM602.980.12 (Dela->136)	02/95 ->	2
V-Class	V200 - 2.0	CDi	OM611.960	03/99 -> 09/03	15
V-Class	V220 - 2.2	CDi	OM611.980	03/99 -> 09/03	15
V-Class	V230 - 2.3	TD	OM601.970	09/96 -> 02/99	3
Viano	2.2	Cdi	OM646.982	09/03 ->	15
Vito	2.2	CDi	OM611A	03/99 -> 09/03	15

Mercedes Cont'd					
Vito	2.2	Cdi	OM646.983	09/03 ->	15
Vito	2.2	CDi	OM611.960	03/98 -> 09/03	15
Vito	2.2	Cdi	OM646.982	09/03 ->	15
Vito	2.2	CDi	OM611.980	03/99 -> 09/03	15
Vito	2.3	D	OM601.942	02/96 -> 09/03	3
Vito	2.3	TD	OM601.970	03/96 -> 02/98	3

MG					
ZR	2.0	TD		06/01->	12
ZS	2.0	TD		01/04->	12
ZT	2.0	CDTi	204D2	06/02->09/03	12

Mitsubishi					
Carisma	1.9	TD	F8QT	10/96 ->	2
Challenger	2.5	D	4D56T	11/98 ->	8
Pajero	3.2	Di-D	4M41	04/00 -> 10/01	10
Shogun	3.2	Di-D	4M41	04/00 ->	10

Nissan					
Almera	1.5	dCi		01/03 ->	12
Almera	2.0	D	CD20	11/95 -> 03/00	7
Almera	2.2	Di	YD22DDT	03/00 ->	10
Almera Tino	2.2	Di	YD22DDTi	08/00 ->	10
Brougham	2.3	D	TD23	01/93 ->	8
Brougham	2.3	TD	TD23	01/93 ->	8
Cabstar	2.3	D	LD23	02/99 -> 12/01	8
Cabstar	2.5	TD		01/82 -> 07/97	8
Cargo	2.3	D	LD23	09/94 ->	8
D21	2.5	D	TD25	01/93 ->	8
D21	2.7	D	TD27	01/93 ->	8
D21	2.7	D	TD27T	01/93 ->	8
Interstar	1.9	dCi 80	F9Q, 772	07/02 ->	12
Interstar	2.2	dCi 90	G9T 722	07/02 ->	19
Interstar	2.5	dCi 100	G9U 632, 650	11/03 ->	19
Interstar	2.5	dCi 120	G9U	07/02 ->	19
Interstar	2.5	dCi 150		09/06 ->	19
King Cab	2.5	D	TD25	1993->	8
King Cab	2.5	TD	TD25	02/98 ->	8
King Cab	2.5	TDi	TD25Ti	05/98 ->	8
March	1.5	D	TUD5	10/96 ->	12
Micra	1.5	D	TUD5,TUD15	05/98 -> 12/02	12
Micra	1.5	TD	K9K	2002->	12
Navara	2.5	dCi	YD25	05/05 ->	10
Navara	2.5	dCi	YD25	05/05 ->	10
Note	1.5	dCi lp	K9K	03/06 ->	12
Note	1.5	dCi hp	K9K	03/06 ->	12
Pathfinder	2.5	dCi	YD25DDTi	03/05 ->	10
Pathfinder	2.7	D	TD25,TD27	02/93 ->	8
Pathfinder	2.7	D	TD27T	02/93 ->	8
Pathfinder	2.7	TD	TD27ET	1993->	8
Patrol	2.7	TD	TD27	02/93 ->	8
Pick-Up	2.5	D	TD25	02/98 ->	8
Pick-Up	2.5	TD	TD25	10/87 -> 01/98	8
Pick-Up	2.7	TD	TD27		8
Primastar	1.9	dCi		03/01->	12
Primera	2.0	D	CD20	12/90 -> 09/96	7
Primera	2.2	Di		03/02 ->	10
Serena	2.3	D	LD23	10/94 ->	8

## Nissan (Cont'd)

Terrano	2.7	D	TD27, TD27T	02/93 -> 06/96	8
Terrano	2.7	TD	TD27T	1993 -> 09/97	8
Trade	2.3	D	LD23	05/97 ->	8
Urvan	2.5	D	TD25	1993->10/96	8
Vanette	2.3	D	LD23	09/94 -> 02/98	8
X-Trail	2.2	Di	YD22ETI	06/01 ->	10
X-Trail	2.2	dCi	YD22ETI	12/03 ->	10

## Peugeot

106	1.5	D	TUD5,TUD5B	03/94 ->	12
107	1.4	HDi	DV4D	06/05 ->	20
1007	1.4	HDi	DV4TD (8HX, 8HZ)	04/05 ->	20
205	1.8	D	XUD7	10/83 -> 05/97	2
205	1.8	TD	XU7.DT,XUD7	07/85 -> 05/97	2
206	1.4	HDi		2001->	20
206	1.6	HDi	9HY (DV6 TED4)	05/04 ->	20
206	1.9	D	DW8,DW8B	07/98 ->	12
206	2.0	HDi	DW10,DW10TD	10/99 ->	17
306	1.8	D	XUD7(CEE95L3)	1994->08/98	2
306	1.8	D	XUD7	06/95 -> 03/01	2
306	1.8	D	XUD7(CEE95L3)	09/98 -> 03/01	2
306	1.9	D	XUD9	04/92 -> 03/01	2
306	1.9	D	XUD9A,L	03/93 -> 03/01	2
306	1.9	D	DW8,DW8B	04/98 -> 03/01	12
306	1.9	TD	XUD9TE	03/93 -> 03/01	2
306	2.0	HDi	DW10,DW10TD	08/98 -> 03/01	17
307	1.4	HDi	DV4TD	04/01 ->	20
307	1.6	HDi	9HY (DV6 TED4)	02/04 ->	20
307	2.0	HDi	DW10TD	04/01 ->	17
307	2.0	HDi	DW10ATED	04/01 ->	17
307	2.0	HDi	RHR (DW10 BTED4)	10/03 ->	17
405	1.9	D	XUD9	03/88 -> 01/97	2
405	1.9	D	XUD9A	02/97 ->	2
405	1.9	TD	XUD9TE,XUD9TF	09/92 -> 01/97	2
406	1.9	TD	XUD9BTF,SD,TE	10/95 -> 08/98	2
406	1.9	TD	XUD9BTF,SD,TE	09/98 -> 03/99	2
406	2.0	HDi	DW10TD	04/99 ->	17
406	2.0	HDi	DW10ATED4 (RHS)	08/01 ->	17
406	2.1	TD	XUD11BTE	10/95 -> 08/98	2
406	2.1	TD	XUD11BTE	09/98 -> 03/99	2
406	2.2	HDi	DW12TED4	02/00 ->	17
406	2.2	HDi	DW12TED	09/00 ->	17
407	1.6	HDi	9HY (DV6 TED4)	05/04 ->	20
407	2.0	HDi	RHR (DW10 BTED4)	05/04 ->	17
605	2.1	TD	XUD11BTE(CEE95L3)	06/89 -> 08/98	2
605	2.1	TD	XUD11BTE(CEE19.5)	06/89 -> 02/00	2
605	2.1	TD	XUD11BTE(CEE95L3)	09/98 -> 02/00	2
605	2.5	TD	DK5ATE	07/94 -> 08/98	2
607	2.0	HDi	DW10ATED	02/00 ->	17
607	2.2	HDi	DW12TED4	02/00 ->	17
806	1.9	TD	XUD9TE	07/94 -> 2002	2
806	2.0	HDi	DW10TED,4	09/98 -> 2002	17
806	2.1	TD	XUD11ATE,BTE	05/95 -> 09/99	2
807	2.0	HDi	DW10TD,DW10TED	2002->	17
807	2.2	HDi	DW12TED4	2002->	17
Bipper	1.4	HDi	DV4TED	02/08 ->	20
Boxer	1.8	D	XUD7	09/98 ->	2
Boxer	1.9	D	XUD9	07/95 -> 08/98	2
Boxer	1.9	D	XUD9,XUD9AU	09/98 ->	2

## Peugeot (Cont'd)

Boxer	1.9	TD	XUD9TE	03/94 -> 08/98	2
Boxer	1.9	TD	XUD9TE,XUD9UTF	09/98 ->	2
Boxer	2.0	HDi	DW10TD	09/98 ->	17
Boxer	2.0	HDi	DW10UTD (RHV)	04/02 ->	17
Boxer	2.2	HDi	DW12UTED (4HY)	04/02 ->	17
Boxer	2.2	HDi 100	PUMA 22 DT	04/06 ->	18
Boxer	2.2	HDi 120	PUMA 22 DT	04/06 ->	18
Boxer	2.5	D	DJ5	03/94 ->	2
Boxer	2.5	DTi	DJ5T	03/94 ->	2
Boxer	2.5	DTi	DJ5TED	09/96 ->	15
Boxer	2.8	JTD		10/97 ->	2
Expert	1.9	D	XUD9A,L	09/95 ->	2
Expert	1.9	D	DW8	07/98 ->	12
Expert	1.9	D	XUD9A,L	09/98 ->	2
Expert	1.9	TD	XUD9TE	09/95 ->	2
Expert	2.0	HDi	DW10TD	12/99 ->	17
Expert	2.0	HDi	DW10ATED	07/00 ->	17
J5	2.5	D	DJ5	02/94 ->	2
J5	2.5	TD	DJ5T	02/94 ->	2
Partner	1.8	D	XUD7	08/96 ->	2
Partner	1.9	D	XUD9A	08/96 -> 08/98	2
Partner	1.9	D	DW8	07/98 ->	12
Partner	1.9	D	XUD9A	09/98 ->	2
Partner	2.0	HDi	DW10TD	12/99 ->	17
Ranch	1.9	D	XUD9A	05/96 ->	2

## Renault

19	1.9	TD	F8Q-740,744	09/90 -> 03/96	2
Avantime	2.2	dCi	F9Q	09/01 ->	12
Avantime	2.2	dCi	G9T-720	09/01 ->	19
Clio	1.5	DCi	K9K65,K9K80,K9K700	06/01 ->	12
Clio	1.5	dCi	K9K 768	06/05 ->	12
Clio	1.5	dCi	K9K 766	06/05 ->	12
Clio	1.5	dCi	K9K 764	06/05 ->	12
Clio	1.9	D	F8Q-676,678,692,696	03/91 -> 08/98	2
Clio	1.9	D	F8Q.630,662	03/98 ->	13
Clio	1.9	D	F8Q-632	01/99 ->	13
Clio	1.9	D	F9Q.780	03/99 ->	12
Clio	1.9	DTi	F9Q.716	02/99 ->	12
Espace	1.9	DTi	F9Q-722	02/99 ->	12
Espace	1.9	DCi	F9Q-820	11/02 ->	12
Espace	2.1	TD	J8S-610,772,776,778	04/91 -> 09/96	2
Espace	2.2	DCi	G9T-710	09/00 ->	19
Espace	2.2	TD	G8T- 714,716	10/96 -> 08/00	12
Espace	2.2	DCi	G9T-742, 743	11/02 ->	19
Express	1.9	D	F8Q 640,644,646,648,682	09/94 ->	2
Extra	1.9	D	F8Q 640	01/96 ->	2
Kangoo	1.5	DCi	K9K-710	09/02 ->	12
Kangoo	1.5	DCi	K9K-700, 704	12/01 ->	12
Kangoo	1.5	DCi	K9K-702	07/02 ->	12
Kangoo	1.9	D	F8Q-630	03/98 ->	13
Kangoo	1.9	D	F8Q-662	03/98 ->	13
Kangoo	1.9	D	F8Q-632	03/99 ->	13
Kangoo	1.9	DTi	F9Q-780	02/00 ->	12
Kangoo	1.9	DTi	F9Q-790	10/01 ->	12
Laguna	1.5	dCi		10/07 ->	12
Laguna	1.9	DTi	F9Q.716	05/98 -> 01/99	12
Laguna	1.9	DTi	F9Q710,717,718	01/99 -> 12/00	12
Laguna	1.9	DCi	F9QT-750,751,752	01/01 ->	12



## Renault (Cont'd)

Laguna	2.0	dCi	M9R 920	10/07 ->	12
Laguna	2.2	D	G8T-706,752,790,792,794	02/96 -> 06/98	12
Laguna	2.2	TD	G8T	01/94 -> 03/01	12
Laguna	2.2	TD	G8T-760	02/96 -> 06/98	12
Laguna	2.2	DCi	F9Q	03/01 ->	12
Laguna	2.2	DCi	G9T-702	01/02 ->	19
Master	1.9	DTi	F9Q-770	09/99 ->	12
Master	2.2	D	G9T-720 (722 INTD)	10/00 ->	19
Master	2.2	DCi	F9Q	06/00 ->	12
Master	2.5	D	S8U-730,731,742	06/82 -> 07/98	2
Master	2.5	TD	Sofi m 8140.27.2580	08/89 -> 07/98	2
Master	2.5	dCi	G9T 722	10/03 ->	19
Master	2.5	dCi	G9T-720	10/01 ->	19
Megane	1.5	DCi		09/02 ->	12
Megane	1.9	DCi	F9Q	11/03 ->	12
Megane	1.9	D	F8Q-620,624	11/95 ->	2
Megane	1.9	D	F8Q-620	01/96 ->	2
Megane	1.9	D	F8Q-788	03/98 ->	13
Megane	1.9	D	F8Q-622,790	03/99 ->	13
Megane	1.9	TD	F8Q-784	01/96 ->	2
Megane	1.9	DCi	F9Q-731,736	01/99 -> 08/02	12
Megane	1.9	DCi	F9Q-732,733	03/99 -> 08/02	12
Megane	1.9	DTi	F9Q-730,734	04/97 -> 02/99	12
Megane	1.9	DTi	F9Q-731,732,736,740	01/99 -> 08/02	12
Megane	1.9	DTi	F9Q-731,736	01/99 -> 08/02	12
Megane	1.9	DTi	F9Q-744	02/01 -> 08/02	12
Megane Scenic	1.9	D	F8Q-620,624	11/95 -> 02/99	2
Megane Scenic	1.9	D	F8Q-788	03/98 -> 09/99	13
Megane Scenic	1.9	D	F8Q-622,790	01/99 -> 09/99	13
Megane Scenic	1.9	Di	F9QT-770	06/00 ->	12
Megane Scenic	1.9	TD	F8Q-784	01/96 -> 09/99	2
Megane Scenic	1.9	TD	F9Q-730, 734	01/96 -> 09/99	12
Megane Scenic	1.9	dCi	F9Q-730,734	01/96 -> 09/99	12
Megane Scenic	1.9	dCi	F9Q-732,733	03/99 ->	12
Megane Scenic	1.9	dCi	F9Q-731,736	03/99 -> 09/99	12
Megane Scenic	1.9	dCi	F9Q-716, 718	06/00 ->	12
Megane Scenic	1.9	DTi	F9Q-731,732,736,740	01/99 ->	12
Megane Scenic	1.9	DTi	F9Q-716, 718	03/99 ->	12
Megane Scenic	1.9	DTi	F9Q-744	02/01 ->	12
Modus	1.5	dCi		12/04->	12
Rapid	1.9	D	F8Q-640	09/94 -> 03/98	2
Safrane	2.1	TD	J8S-760	04/92 -> 10/96	2
Safrane	2.2	TD	G8T-740	10/96 -> 11/01	12
Safrane	2.5	TD	S8U-762,763	05/93 -> 10/96	2
Scenic	1.5	dCi	K9K-722	06/03 ->	12
Scenic	1.5	dCi	K9K-728	12/03 ->	12
Scenic	1.9	dCi	F9Q-730, 734	01/96 -> 09/99	12
Scenic	1.9	dCi	F9Q-731, 736	03/99 -> 09/99	12
Scenic	1.9	dCi	F9Q-716, 733	11/00 ->	12
Scenic	1.9	dCi		06/03 ->	12
Scenic	1.9	dCi	F9Q-812	06/03 ->	12
Scenic	1.9	dCi		05/05 ->	12
Thalia	1.5	dCi	K9K-700	04/02 ->	12
Thalia	1.5	dCi	K9K-702	06/01 ->	12
Trafic	1.9	D	F8Q-600,606	05/98 -> 03/01	13
Trafic	1.9	dCi	F9Q-760, 762	03/01 ->	12
Trafic	2.1	D	J8S-620,622,758	09/80 -> 10/97	2
Trafic	2.1	D	852-750	09/80 -> 10/97	2
Trafic	2.5	D	Sofi m S8U	10/82 -> 10/97	2

**Renault (Cont'd)**

Trafic	2.5	D	8140.67.2500	03/90 -> 10/97	2
Trafic	2.5	dCi	G9U-730	05/03 ->	19
Vel Satis	2.2	dCi	G9T 600, 702, 703	04/02 ->	19

**Rover**

25	2.0	TD	20T	10/99 ->	12
45	2.0	TD	20T	02/00 ->	12
75	2.0	CDT	M47R (BMW)	04/99 ->	12
75	2.0	CDTi	204 D2	02/03 ->	12
100	115 - 1.5	D	TUD5	03/95 ->	12
200	218 - 1.9	D	XUD 9A	03/91 -> 03/00	2
200	218 - 1.9	D	XUD9	09/91 -> 03/00	2
200	220 - 2.0	D	20T2N, 20T2R	01/96 -> 03/00	12
400	418 - 1.8	TD	XUD 7TE	03/91 -> 03/00	2
400	418 - 1.9	D	XUD 9A	03/91 -> 03/00	2
400	420 - 2.0	SD	20T2R	03/96 ->	12
400	420 - 2.0	SDi	20T2N	03/96 ->	12
600	620 - 2.0	TD	20T2N	02/95 -> 06/99	12
800	825 - 2.5	TD	VM HR-492/VM 425 SLIRR	01/93 -> 04/95	2
800	825 - 2.5	TD	VM425 Slira	05/95 -> 02/99	12

**Saab**

9-3	2.2	TiD	D223L/X22DTH	09/98 -> 11/00	15
9-3	2.2	TiD		11/00 ->	15
9-3	1.9	CDTi	Z19DTH	09/04 ->	47

**Seat**

Alhambra	1.9	TDi	1Z,AFN	01/96 ->	12
Alhambra	1.9	TDi	AHU	07/96 ->	12
Alhambra	1.9	TDi	ANU	03/99 -> 09/01	12
Alhambra	1.9	TDi	AVG	06/99 ->	12
Alhambra	1.9	TDi	AJM	04/00 ->	12
Alhambra	1.9	TDi	AUY	06/00 ->	12
Alhambra	1.9	TDi	ASZ	11/02 ->	12
Arosa	1.4	TDi	AMF	08/99 ->	12
Arosa	1.7	SDi	AKU	10/97 ->	12
Cordoba	1.7	SDi		07/97 -> 06/99	12
Cordoba	1.9	D	1Y	05/93 -> 08/99	2
Cordoba	1.9	SDi	AEF	03/93 -> 08/99	2
Cordoba	1.9	SDi	AEY	01/96 -> 09/02	12
Cordoba	1.9	SDi	AQM,AGP	06/99 ->	12
Cordoba	1.9	SDi	ASY	10/02 ->	12
Cordoba	1.9	TD	AAZ	05/94 -> 08/99	2
Cordoba	1.9	TDi	1Z,AHU,ALH,AGR	08/96 ->	12
Cordoba	1.9	TDi	AFN,ASK,ASV	06/97 ->	12
Cordoba	1.9	TDi	ASZ	10/02 ->	12
Cordoba	1.9	TDi	ATD	10/02 ->	12
Ibiza	1.7	SDi		07/97 -> 08/99	12
Ibiza	1.9	D	EAF	03/93 ->	2
Ibiza	1.9	D	1Y	05/93 -> 08/96	2
Ibiza	1.9	SDi	AEF	03/93 -> 08/99	2
Ibiza	1.9	SDi	AEY	03/93 -> 08/99	12
Ibiza	1.9	SDi	AQM,AGP	08/99 ->	12
Ibiza	1.9	TD	AAZ	05/93 ->	2
Ibiza	1.9	TDi	1Z,AHU,AFN	08/96 -> 08/99	12
Ibiza	1.9	TDi	ALK,ALH,AGR,ASK,ASV	08/99 ->	12
Inca	1.9	D	1Y,1EY	11/95 ->	2

Seat (cont'd)					
Inca	1.9	SDi	AEY,AYQ	11/95 ->	12
Leon	1.9	SDi	AQM	11/99 ->	12
Leon	1.9	TDi	ALG,AGR	09/99 ->	12
Leon	1.9	TDi	ASV,AHF	09/99 ->	12
Leon	1.9	TDi	ARL	01/01 ->	12
Toledo	1.9	D	1Y	03/91 -> 10/98	2
Toledo	1.9	SDi	AEY	12/95 -> 03/99	12
Toledo	1.9	TD	AAZ	03/91 -> 04/97	2
Toledo	1.9	TDi	1Z,AFN	08/96 -> 10/98	12
Toledo	1.9	TDi	AGR,AHU,ALH	01/97 ->	12
Toledo	1.9	TDi	AHF,ASV	11/98 ->	12
Toledo	1.9	TDi	ASZ	05/03->	12
Toledo	1.9	TDi	ARL	01/01 ->	12

Skoda					
Fabia	1.4	TDi	AMF	04/03 ->	12
Fabia	1.9	SDi	ASY	1999->	12
Fabia	1.9	SDi	AGP	12/99 ->	12
Fabia	1.9	TDi	ATD	1999->	12
Fabia	1.9	TDi	AJM	12/99 ->	12
Fabia	1.9	TDi	AHF	10/00 ->	12
Felicia	1.9	D	1Y	09/96 ->	2
Felicia	1.9	D	AEF	1996->06/01	2
Octavia	1.9	D	AGP	07/96 ->	12
Octavia	1.9	SDi	AEY	09/96 ->	12
Octavia	1.9	SDi	AGP,AQM	05/97 ->	12
Octavia	1.9	TDi	1Z	1996->07/00	12
Octavia	1.9	TDi	AGR	01/96 ->	12
Octavia	1.9	TDi	ALH	07/96 ->	12
Octavia	1.9	TDi	AHF	01/97 ->	12
Octavia	1.9	TDi	AGR,AHF,ALH,ASV,ATD	08/00 ->	12
Octavia	1.9	TDi	AJM, AUY	10/00 ->	12
Octavia	1.9	TDi	ATD	10/00 ->	12
Octavia	1.9	TDi	ASZ	02/03 ->	12
Pick Up	1.9	D	AEF	01/96 ->	2
Roomster	1.4	TDi	BNM, BMS	09/06 ->	12
Superb	1.9	TDi	AVB	08/02 ->	12
Superb	1.9	TDi	AVF, AWX	02/02 ->	12
Superb	2.5	TDi	AYM	02/02 ->	16
Superb	2.5	TDi	BDG	06/03 ->	16

Ssangyong					
Istana	2.3	D	661, 911	07/95 ->	3
Istana	2.9	D	662, 911	07/95 ->	3
Korando	2.3	D	OM601	01/97 ->	3
Korando	2.5	D	XD3P	06/93 -> 07/97	2
Korando	2.9	D	OM602	09/96 ->	3
Korando	2.9	D	OM662	02/99 ->	3
Korando	2.9	TD		04/98 ->	3
Musso	2.3	D	MB OM 601	07/93 ->	3
Musso	2.9	D	MB OM 602	07/93 -> 01/99	3
Rexton	2.9	TD		04/02 ->	3

Suzuki					
Baleno	1.9	TD	XUD9	02/99 ->	2
Grand Vitara	1.9	DDiS	F9Q	10/05 ->	12
Grand Vitara	2.0	TDi	RF	03/98 ->	8
Grand Vitara	2.0	TDi	DW10, RHW	2000->	17

**Suzuki (cont'd)**

Ignis	1.3	DDiS	Z13DT	09/03 ->	48
Jimny	1.5	DDiS	K9K 700	12/03 ->	12
Liana	1.4	TD	8HY (DV4TED4)	03/05 ->	20
Samurai	1.9	TD	RFP	09/98 ->	2
SX4	1.9	DDiS		06/06->	14
Vitara	1.9	TD	RF	12/94 -> 03/98	8
Vitara	1.9	TD	XUD9	11/95 ->	2
Vitara	1.9	TD	RF	12/95 -> 03/98	8
Vitara	2.0	TD	RF	08/95 ->	8
Wagon R	1.3	DDiS	Z13DT	09/03 ->	48

**Toyota**

Avensis	2.0	TD	2C-TE	10/97 -> 07/00	4
Avensis	2.0	D-4D	1CD-FTV	08/99 ->	6
Avensis Verso	2.0	D-4D	1CD-FTV	05/01 ->	6
Aygo	1.4	D	2WZ-TV	05/05 ->	20
Blizzard	2.4	TD	2L-TE	04/90 ->	5
Caldina	2.0	TD	2C-T	01/96 -> 09/97	4
Caldina	2.2	D	3C-E	05/98 ->	4
Carina E	2.0	TD	2C-T	01/96 -> 10/97	4
Coaster	3.4	D	3B	08/88 -> 07/99	4
Coaster	4.0	D	2H	08/88 -> 01/90	4
Coaster	4.2	D	1HZ	01/90 -> 07/99	4
Coaster	4.2	TD	1H-DT	01/90 -> 01/93	4
Corolla	2.0	D	2C	05/96 -> 04/97	4
Corolla	2.0	D	2C-E	04/97 -> 10/99	4
Corolla	2.0	D-4D	1CD-FTV	09/00 ->	6
Corolla Verso	2.0	D-4D	1CD-FTV	10/01 ->	6
Corolla Wagon	2.2	D	3C-E	04/98 ->	4
Dyna	2.4	D	2L	08/88 -> 01/99	5
Dyna	2.8	D	3L	08/88 -> 01/99	5
Dyna	3.4	D	3B	05/95 ->	4
Hiace	2.4	D	2L	08/89 -> 01/99	5
Hiace	2.8	D	3L	08/89 -> 01/99	5
Hilux	2.4	D	2L	08/88 -> 07/98	5
Hilux	2.4	TD	2L-II T/2L-TE	08/90 -> 09/97	5
Hilux	2.8	D	3L	08/95 -> 07/98	5
Land Cruiser	2.4	TD	2L-T	01/90 -> 01/95	5
Land Cruiser	4.2	D	1H-Z	01/90 -> 05/98	4
Land Cruiser	4.2	TD	1HD-T	01/90 -> 01/98	4
Liteace	2.0	D	2C-III / 2C	10/96 ->	4
Picnic	2.0	D-4D	1CD-FTV	05/01 ->	6
Premio	2.0	TD	2C-T	01/96 -> 01/98	4
Previa	2.0	D-4D	1CD-FTV	02/01 ->	6
Rav 4	2.0	D-4D	1CD-FTV	05/01 ->	6
Starlet	1.5	D	1N	12/89 -> 01/96	5
Townace	2.0	D	2C	10/96 ->	4

**Vauxhall / Opel**

Arena	1.9	D	F8Q	07/98 -> 11/99	2
Arena	2.5	TD	S8U	09/98 -> 11/99	2
Astra	1.7	D	17YD	08/91 -> 03/04	2
Astra Mk III	1.7	TD	17DT,TC4EE1, 817253->	02/90 -> 02/98	9
Astra Mk IV	1.7	TD	X17DTL	02/98 -> 08/00	2
Astra Mk IV	1.7	DTi 16V	Y17DT	02/00 ->	11
Astra Mk IV	2.0	DTi	X20DTL, Y20DTL	03/98 -> 03/04	15
Astra Mk IV	2.0	DTi	X20DTH, Y20DTH	08/99 -> 03/04	15
Astra Mk V	1.7	CDTi	Z17DTL	03/04 ->	11
Astra Mk V	1.7	CDTi	Z17DTH	03/04 ->	11

## Vauxhall /Opel (Continued)

Astra Mk V	1.9	CDTi	Z19DT	09/05 ->	14
Astra Mk V	1.9	CDTi	Z19DTH	09/04 ->	47
Astra Mk V	1.3	CDTi	Z13DT	04/05 ->	48
Astra Van	1.7	D		08/83 -> 03/04	2
Astra Van	1.7	D	17D	09/88 -> 08/94	2
Astra Van	1.7	D	17DR	09/93 -> 08/94	2
Astra Van	1.7	TD	X17DTL	09/94 -> 03/04	2
Astra Van	2.0	Di	X20DTL	09/98 -> 03/04	15
Brava	2.2	D		1990 -> 09/96	9
Brava	2.3	D		1988 -> 09/96	9
Brava	2.5	D		03/92 ->	2
Combo	1.7	D	X17D	09/94 -> 10/01	9
Combo	1.7	DTi	17D 4EE;1 X17 D 4EE1	09/94 -> 10/01	11
Combo	1.7	DTi	Y17DT	08/01 ->	11
Combo	1.7	Di	Y17DTL	10/01 ->	2
Combo	1.7	CDTi	Z17DTH	06/04 ->	11
Combo	1.3	CDTi	Z13DT	10/04 ->	48
Corsa	1.5	D	15D (4EC1)	03/93 -> 09/00	9
Corsa	1.5	TD	15TD / X15DT (4EC1)	03/93 -> 09/00	9
Corsa	1.7	Di	Y17DTL	09/01 ->	11
Corsa	1.7	DTi	Y17DTL	09/01 ->	11
Corsa	1.7	TD	17D / X17D (4EE1)	03/93 -> 09/00	9
Corsa	1.3	CDTi	Z13DT	08/03 ->	48
Corsa Van	1.7	D	17D, X17D	09/93 ->	2
Corsa Van	1.7	DI	Y17 DTL	09/00 ->	11
Corsa Van	1.7	DTi	Y17 DT	09/00 ->	11
Corsa Van	1.3	CDTi	Z13DT	01/04 ->	48
Frontera	2.2	DTi	X22DTH	09/98 ->	15
Frontera	2.2	DTi	Y22DTH	08/00 ->	15
Frontera	2.5	TD	25TD	09/96 -> 08/98	12
Meriva	1.7	DTi	Y17DT	09/02 ->	11
Meriva	1.3	CDTi	Z13DT	11/05 ->	48
Monterey	3.1	TD	4JG2TC	05/94 ->	9
Movano	1.9	DTi	F9Q-770	12/99 ->	12
Movano	2.2	DTi	G9T-720	09/00 ->	19
Movano	2.5	DTi	S8U	12/99 ->	2
Movano	2.5	DTi		10/01 ->	19
Movano	2.8	DTi	S9W	11/98 ->	2
Omega	2.0	TDi	X20DTH	02/98 ->	15
Omega	2.2	DTi	Y22DTH	08/00 ->	15
Omega	2.5	TD	BMW - X25DT OHC-R6	04/94 ->	2
Signum	1.9	CDTi	Z19DT	04/04 ->	14
Signum	1.9	CDTi	Z19DTH	04/04 ->	14
Signum	2.0	DTi	Y20DTH	05/03 ->	15
Signum	2.2	DTi	Y20DTR	05/03 ->	15
Sintra	2.2	DTi	X22DTH	09/98 -> 04/99	15
Tigra	1.3	CDTi	Z13DT	12/04 ->	48
Vectra	1.7	TD	X17TD,TC4EC1	09/95 -> 12/96	9
Vectra	1.7	TD	X17DT	09/95 -> 12/96	15
Vectra	1.9	CDTi	Z19DTL	04/04 ->	14
Vectra	1.9	CDTi	Z19DT	04/04 ->	14
Vectra	1.9	CDTi	Z19DTH	04/04 ->	47
Vectra	2.0	Di	X20DTL	08/99 -> 03/02	15
Vectra	2.0	DTi	X20DTH	06/96 ->	15
Vectra	2.0	DTi	Y20DTH	08/99 ->	15
Vectra	2.0	DTi		03/03->	17
Vectra	2.2	DTi	Y22DTR	07/00 ->	15
Vectra	2.2	DTi	Y20DTR	04/02 ->	15
Vivaro	1.9	Di	F9Q-770	12/99 ->	12

**Vauxhall (Continued)**

Vivaro	1.9	DTi	F9Q.760	08/01 ->	12
Vivaro	2.5	DTi	G9U 730	04/04 ->	19
Zafira	1.9	CDTi	Z19DT	07/05->	14
Zafira	1.9	CDTi	Z19DTH	07/05->	47
Zafira	2.0	DTi	X20DTL	05/99 ->	15
Zafira	2.2	DTi	X22DTL	09/99 ->	15

**VW**

Beetle	1.9	TDi	ALH, AGR	11/98 -> 09/00	12
Beetle	1.9	TDi	ATD	10/00 ->	12
Beetle	1.9	TDi	AXR	03/03 ->	12
Bora	1.9	SDi	AGP, AQM	09/98 ->	12
Bora	1.9	TDi	AHF, ALH, AGR, ASV, AJM, AUY, ANU	10/98 -> 06/01	12
Bora	1.9	TDi	ARL	05/00 ->	12
Bora	1.9	TDi	ASZ (Ch No ->172.600000)	11/01 ->	12
Bora	1.9	TDi	ASZ (Ch No 172.600001->)	11/01 ->	12
Bora	1.9	TDi	ATD	11/01 ->	12
Bora	1.9	TDi	AXR	11/01 ->	12
Caddy	1.7	SDi	AHB	10/96 ->	12
Caddy	1.9	D	1Y, AEF	01/96 -> 02/04	2
Caddy	1.9	SDi	AEY	11/95 -> 02/04	12
Caddy	1.9	TDi	AHU, ALE	08/96 -> 02/04	12
California	1.9	TD	ABL	08/92 -> 03/98	2
California	2.4	D	AAB	09/90 -> 04/98	2
California	2.4	D	AJA	05/97 -> 03/98	2
California	2.5	TDi	ACV	08/95 ->	12
California	2.5	TDi	AJT	05/98 ->	12
Caravelle	1.9	D		09/90 -> 04/96	2
Caravelle	2.5	TDi		08/95 ->	12
Eurovan	2.4	SDi		10/92 ->	2
Eurovan	2.5	SDi		01/95 ->	12
Fox	1.4	TDi	BNM	04/05 ->	12
Golf 3	1.9	D	1Y	09/91 -> 08/98	2
Golf 3	1.9	TD	AAZ	09/91 -> 08/98	2
Golf 3	1.9	SDi	AEY	09/93 -> 02/99	12
Golf 3	1.9	TDi	1Z,AHU,ALE	09/91 -> 07/96	12
Golf 3	1.9	TDi	AFN	09/93 -> 02/99	12
Golf 4	1.9	D	1Y	10/97 -> 02/99	2
Golf 4	1.9	Di	ANU	01/99 -> 03/04	12
Golf 4	1.9	TD	AAZ	10/97 -> 02/99	2
Golf 4	1.9	SDi	AEY	10/97 -> 02/99	12
Golf 4	1.9	SDi	AGP,AQM	07/97 -> 03/04	12
Golf 4	1.9	TDi	AFN,AHF,ASV	10/97 -> 06/01	12
Golf 4	1.9	TDi	AGR,ALH,AHU	09/97 -> 06/01	12
Golf 4	1.9	TDi	ASZ	01/98 -> 10/01	12
Golf 4	1.9	TDi	AJM,AUY	04/98 -> 06/01	12
Golf 4	1.9	TDi	ARL	05/00 -> 10/01	12
Golf 4	1.9	TDi	ATD	10/00 -> 03/03	12
Golf 4	1.9	TDi	AVF	07/01 -> 03/03	12
Golf 4	1.9	TDi	ARL	11/01 -> 03/03	12
Golf 4	1.9	TDi	ASZ	11/01 -> 03/03	12
Golf 4	1.9	TDi	ATD	11/01 -> 03/03	12
Golf 4	1.9	TDi	AXR	11/01 -> 03/03	12
Golf Van	1.9	D		08/92 ->	2
LT28	2.4	TD	ACL	09/92 -> 08/96	2
LT28	2.5	SDi	AGX	05/96 ->	12
LT28	2.5	TDi	AHD, ACV	05/96 -> 08/99	12
LT28	2.5	TDi	ANJ, AVR	01/99 ->	12
LT28	2.5	TDi	APA	05/99 ->	12

**VW (Continued)**

LT35	2.4	TD	ACL	09/92 -> 08/96	2
LT35	2.5	SDi	AGX	05/96 -> 04/01	12
LT35	2.5	TDi	AHD	05/96 -> 08/99	12
LT35	2.5	TDi	ANJ, AVR	01/99 ->	12
LT35	2.5	TDi	APA	05/99 ->	12
LT40	2.4	D	1S, ACT	08/89 -> 04/96	2
LT40	2.4	TD	1G	02/83 -> 04/96	2
LT45	2.4	TD	ACL	09/92 -> 08/96	2
LT46	2.5	TDi	ANJ	01/99 ->	12
LT46	2.5	TDi	APA	05/99 ->	12
Lupo	1.2	TDi	ANY	06/99 -> 11/00	12
Lupo	1.2	TDi	AYZ	11/00 -> 10/01	12
Lupo	1.2	TDi	ANY, AYZ	11/01 ->	12
Lupo	1.4	TDi	AMF	01/99 ->	12
Lupo	1.7	SDi	AKU	10/98 ->	12
Multivan	1.9	TD	ABL	09/92 -> 04/98	2
Multivan	1.9	TDi	AXB	04/03 ->	12
Multivan	2.4	D	AAB	09/90 -> 04/98	2
Multivan	2.4	D	AJA	05/98 ->	2
Multivan	2.5	TDi	ACV	08/95 ->	12
Multivan	2.5	TDi	AJT	05/98 ->	12
Multivan	2.5	TDi	AXE	04/03 ->	12
Multivan	2.5	TDi	AXD	04/03 ->	12
Passat	1.9	TD	AAZ	03/90 -> 10/96	2
Passat	1.9	TDi	1Z, AHU, AHH	10/93 -> 12/00	12
Passat	1.9	TDi	AFN, AVG	10/96 -> 12/00	12
Passat	1.9	TDi	AJM, AWX, ATJ	10/98 ->	12
Passat	1.9	TDi	AVB, ATD	11/00 -> 10/01	12
Passat	1.9	TDi	AVF	01/01 -> 10/01	12
Passat	1.9	TDi	AVF,AWX	11/01 ->	12
Passat	1.9	TDi	AVB	11/01 ->	12
Passat	2.5	TDi	AFB, AKN	08/98 ->	16
Phaeton	5.0	TDi	AJS	11/02 ->	12
Polo	1.4	TDi	AMF	04/99 -> 09/01	12
Polo	1.4	TDi	AMF, BAY	10/01 ->	12
Polo	1.4	TDi	ATD, AXR	10/01 ->	12
Polo	1.7	SDi	AHB	01/96 -> 12/99	12
Polo	1.7	SDi	AHG, AKU, AKW	05/97 -> 09/01	12
Polo	1.7	SDi	AKW	11/97 ->	12
Polo	1.7	SDi	AKU	10/99 -> 04/00	12
Polo	1.9	D	1Y, AEF	12/95 -> 09/01	2
Polo	1.9	SDi	AEY, AGD	07/96 -> 09/01	12
Polo	1.9	SDi	AQM	09/99 -> 09/01	12
Polo	1.9	TDi	AHU, ALE	08/96 -> 08/99	12
Polo	1.9	TDi	AFN, ATD	06/98 -> 08/01	12
Polo	1.9	TDi	ALH, AGR	09/99 -> 08/01	12
Sharan	1.9	TDi	1Z,AHU, ANU	09/95 -> 10/01	12
Sharan	1.9	TDi	AFN,AVG	09/95 -> 04/00	12
Sharan	1.9	TDi	AUY	03/00 ->	12
Sharan	1.9	TDi	AHU, ANU	11/01 ->	12
Sharan	1.9	TDi	ASZ	11/02 ->	12
Taro	2.4	D	2L	02/89 -> 03/97	5
Touareg	2.5	R5 TDi	BAC	01/03->	12
Touareg	5.0	TDi		10/02 ->	12
Transporter	1.9	TD	ABL	09/92 -> 04/98	2
Transporter	2.4	D	ACT	02/92 ->	2
Transporter	2.4	D	AJA	04/97 -> 04/98	2
Transporter	2.4	TD	1G	08/88 -> 04/96	2
Transporter	2.5	TDi	ACV	08/95 -> 04/98	12

**VW (Continued)**

Transporter	2.5	TDi	AHY, AJT	05/98 ->	12
Transporter	2.5	TDi	AUF	11/99 ->	12
Transporter	2.5	TDi	AYC	09/00 ->	12
Transporter	2.5	TDi	AYY	10/01 ->	12
Vento	1.9	D	1Y	09/91 -> 10/98	2
Vento	1.9	TD	AAZ	09/91 -> 10/98	2
Vento	1.9	SDi	AEY	01/95 -> 07/97	12
Vento	1.9	TDi	1Z	10/93 -> 07/96	12
Vento	1.9	TDi	AHU, AFN, ALE	08/96 -> 10/98	12

**Volvo**

360	1.8	D	XUD7	09/98 ->	2
440	1.9	TD	F8Q, D19T	01/93 -> 12/96	2
460	1.9	TD	F8Q, D19T	01/93 -> 08/97	2
850	2.5	TDi	D5252T	08/95 -> 12/98	12
940	2.4	TDi	D24TIC	01/94 -> 05/97	2
C30	2.0	D	D4204 T	10/06 ->	17
S40	1.6	D		01-05 ->	20
S40	1.9	DI	D4192T3	03/99->07/00	12
S40	1.9	DI	D4192T3/T4	07/00->12/03	14
S40	1.9	TD	F8Q	05/96 -> 08/99	2
S40	1.9	TDi	D4192T (F8QT)	09/96 -> 08/99	2
S60	2.5	TDi	D5252T	10/01 ->	12
S70	2.5	TDi	D5252T	12/96->11/00	12
S80	2.5	TDi	D5252T	07/98 ->	12
V40	1.9	DI	D4192 T2	03/99->07/00	12
V40	1.9	DI	D4192 T3/T4	07/00	14
V40	1.9	TD	F8Q Kombi	01/96 -> 08/99	2
V40	1.9	TD	D4192T (F8QT)	09/96 -> 08/99	2
V40	1.9	TD	D4192T2	03/99 -> 08/99	2
V50	1.6	D		01/05 ->	20
V70	2.5	TDi	D5252T	12/96 -> 11/00	12



**Sole UK Distributor, Sealey Group,**  
Kempson Way, Suffolk Business Park,  
Bury St. Edmunds, Suffolk,  
IP32 7AR



01284 757500



01284 703534



[www.sealey.co.uk](http://www.sealey.co.uk)



[sales@sealey.co.uk](mailto:sales@sealey.co.uk)